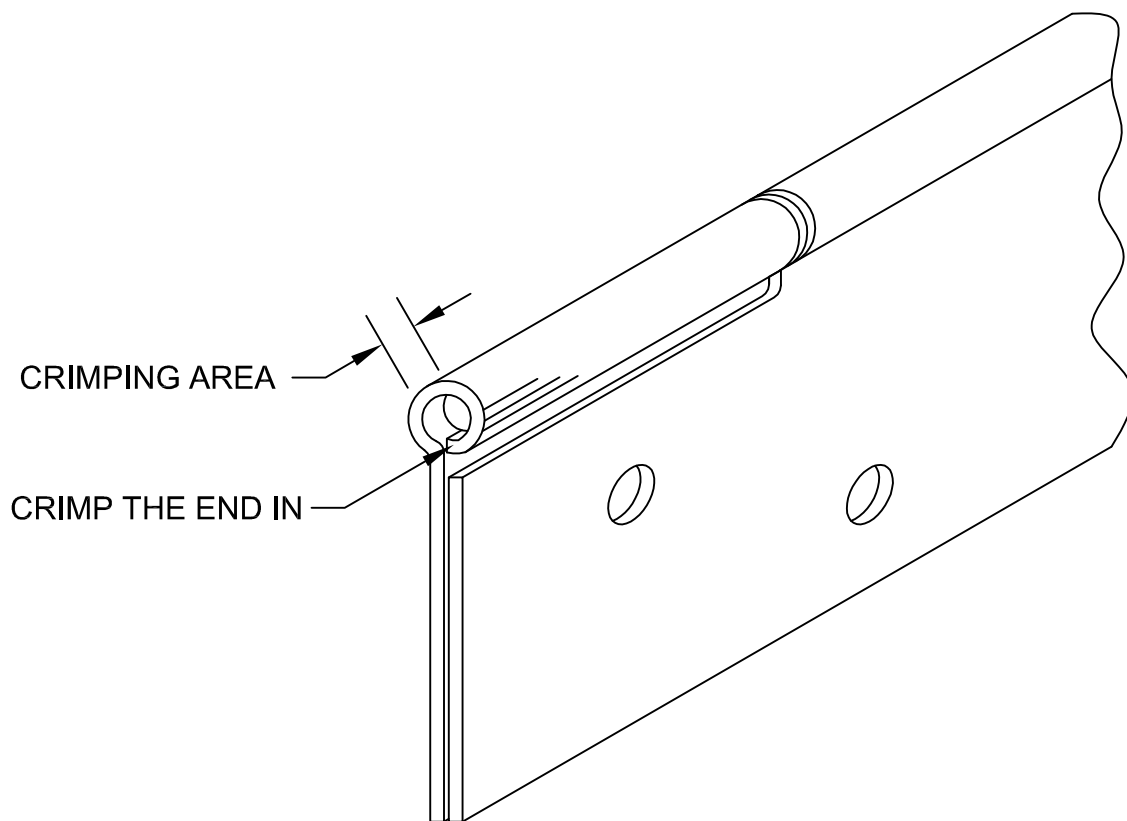


## CUTTING STAINLESS STEEL HINGES TO CUSTOM LENGTHS

1. DETERMINE THE AMOUNT THAT THE HINGE NEEDS TO BE SHORTENED. NOTE THE HAND OF THE HINGE BEFORE BEGINING TO LAY OUT YOUR CUT. ALL CUTS WILL BE DONE AT THE BOTTOM OF YOUR HINGE ASSEMBLY MAKING SURE TO LEAVE THE GANG HOLE PATTERN AT THE TOP.
2. MEASURE FROM THE TOP DOWN AND SCRIBE A CUT LINE ON YOUR LEAF AT THE DESIRED LENGTH.
3. CUT THE HINGE TO LENGTH WITH A HACKSAW, GOING THROUGH THE LEAFS, BARREL AND PIN. IF NECESSARY, USE A FILE TO REMOVE ALL SHARP EDGES AFTER CUTTING.
4. MOVE THE STAINLESS STEEL PIN OUT APPROXIMATELY 1" MAKING SURE THE ASSEMBLY STAYS TOGETHER AS ONE UNIT. REMOVE  $\frac{1}{4}$ " FROM THE END OF THE PIN USING A HACKSAW AND THEN PUSH BACK INTO IT'S ORIGINAL POSITION.
5. USING A PAIR OF VICE-GRIPS, CRIMP THE END OF THE BARREL MAKING SURE THE HINGE PIN WILL NOT SLIDE OUT.



ABH suggests ordering the hinge cut to length at factory. If the hinge is field cut, it will void the warranty.



® [www.abhmfg.com](http://www.abhmfg.com)  
E-mail: [abhinfo@abhmfg.com](mailto:abhinfo@abhmfg.com)  
Architectural Builders Hardware Mfg., Inc.  
1222 Ardmore Ave., Itasca, IL 60143  
630.875.9900; FAX 800.9FAXABH (932.9224)

SS HINGE CUSTOM CUTTING LENGTHS-00.DWG

STAINLESS STEEL HINGE  
CUSTOM CUTTING LENGTHS

©2010 ABH Mfg., Inc.  
printed in USA

ISSUED 05-26-10