

ABH CUSTOM PIVOT SETS

ABH CUSTOM PIVOT SETS CAN BE ORDERED IN ANY COMBINATION OF TOP JAMB PORTION, DOOR TOP PORTION, DOOR BOTTOM PORTION AND BOTTOM JAMB OR FLOOR PORTION.

COMPONENTS IN CERTAIN CONFIGURATIONS CAN ALSO BE USED FOR INTERMEDIATE OFFSET PIVOTS. INTERMEDIATE PIVOTS ARE USED FOR VERY TALL OR HEAVY DOORS. THEY CAN ALSO BE CONFIGURED FOR DUTCH DOORS

ALL PIVOT PORTIONS ARE OF SOLID STAINLESS STEEL AND ARE 1/2" THICK AND 1" WIDE.

PIVOTS CAN BE USED ON DOORS UP TO 200 LBS.

FASTENERS ARE STAINLESS STEEL.

REQUIREMENTS:

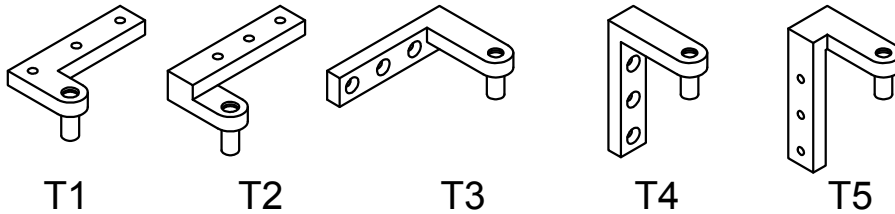
DOOR THICKNESS EX: 1-3/4"

OFFSET EX: 3/4" Offset

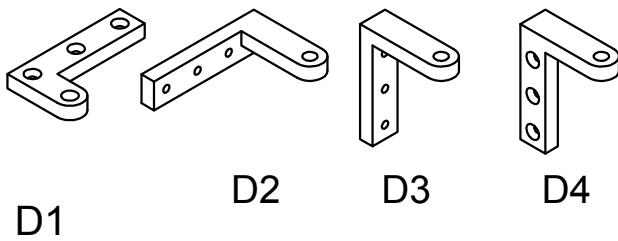
CONFIGURATION EX: T1/D1 - D1/B1

FINISH EX: US32D - Satin Stainless

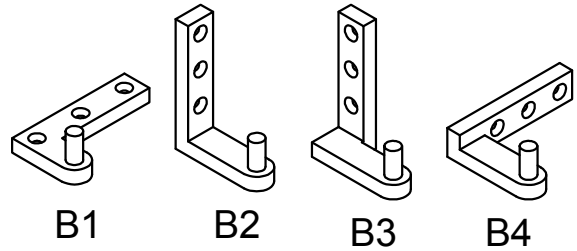
TOP JAMB PORTION



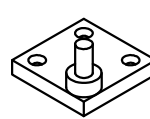
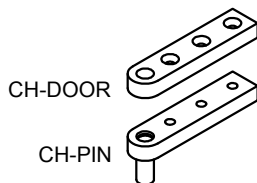
DOOR PORTION



BOTTOM JAMB OR FLOOR PORTION



CENTER HUNG PIVOT



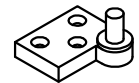
CFP/F1

CARPET
FLOOR
PLATE



STUD/F2

MARBLE/STONE
WOOD



WFP/F3

WOOD
FLOOR
PLATE



® www.abhmfg.com
E-mail: abhinfo@abhmfg.com
Architectural Builders Hardware Mfg., Inc.
1222 Ardmore Ave., Itasca, IL 60143
630.875.9900; FAX 800.9FAXABH (932.9224)

© 2014 ABH Mfg., Inc.
printed in USA

TM-CUSTOM PIVOTS.DWG

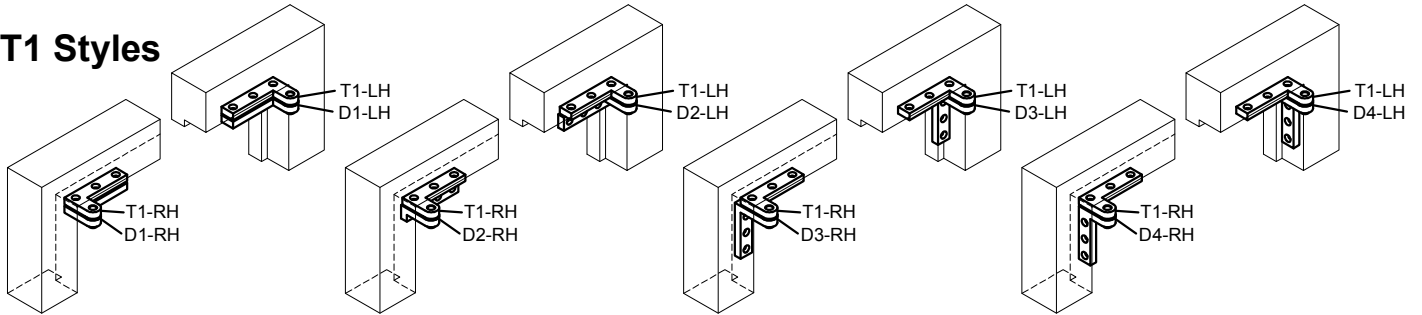
CUSTOM
PIVOTS SETS

REVISED 02-28-14

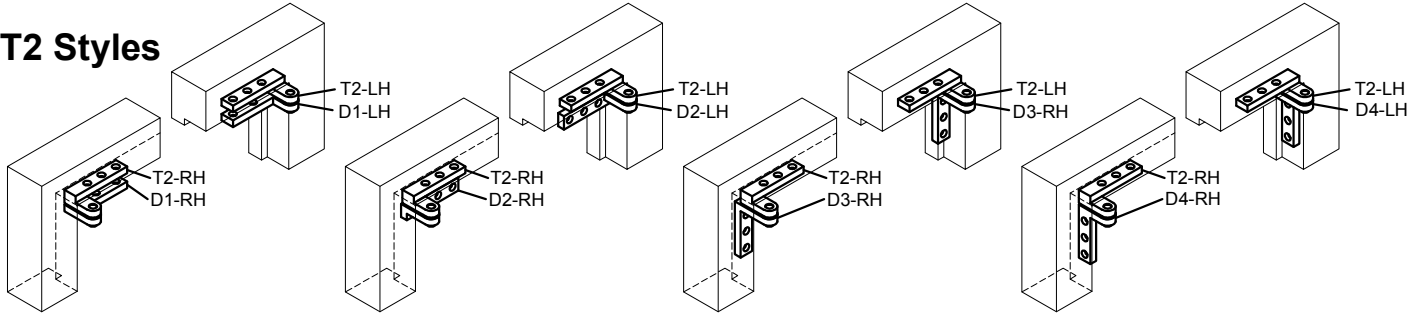
Offset Pivots Hinges-Common Assembly Configurations

Top Jamb-Top Door

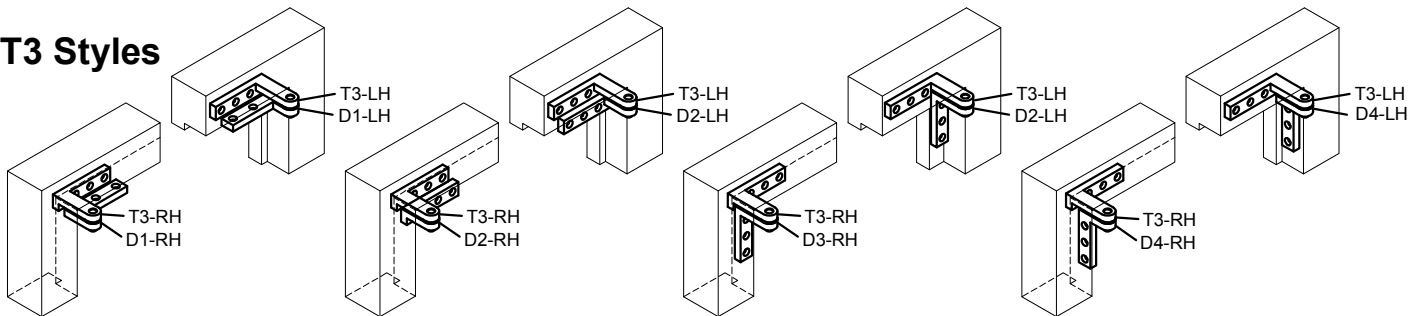
T1 Styles



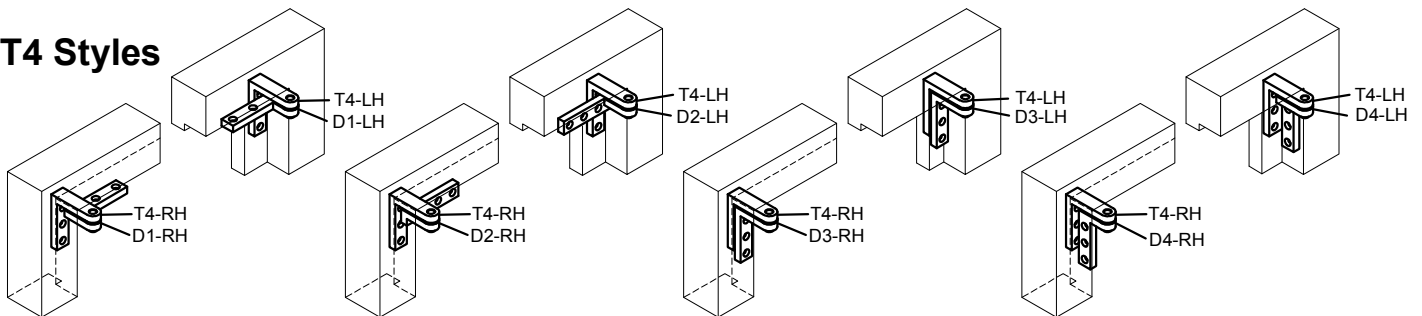
T2 Styles



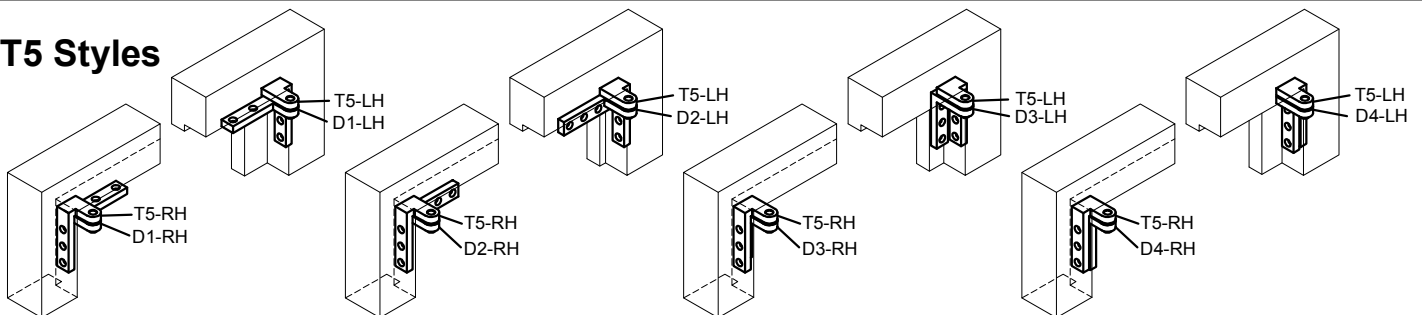
T3 Styles



T4 Styles



T5 Styles



® www.abhmfg.com
E-mail: abhinfo@abhmfg.com
Architectural Builders Hardware Mfg., Inc.
1222 Ardmore Ave., Itasca, IL 60143
630.875.9900; FAX 800.9FAXABH (932.9224)

R0180 ISO ASSY COMMON CONFIGURATIONS-1-01.DWC

R0180 ISO ASSY COMMON
CONFIGURATIONS

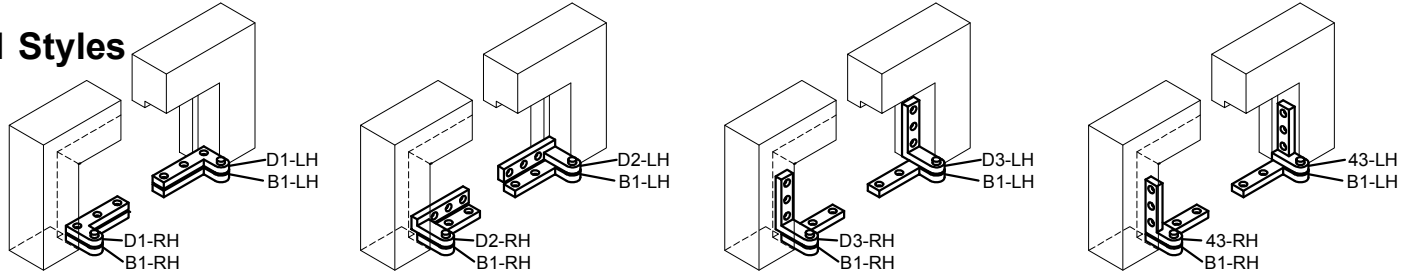
© 2015 ABH Mfg., Inc.
printed in USA

ISSUED 04-15-15

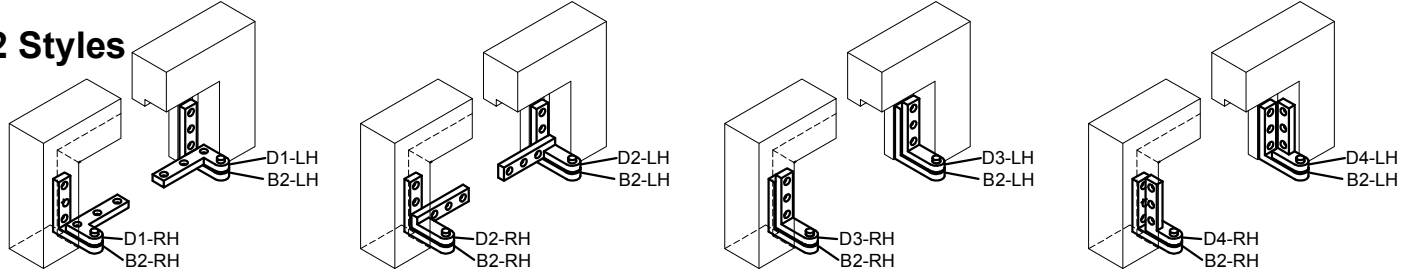
Offset Pivots Hinges-Common Assembly Configurations

Bottom Jamb-Bottom Door

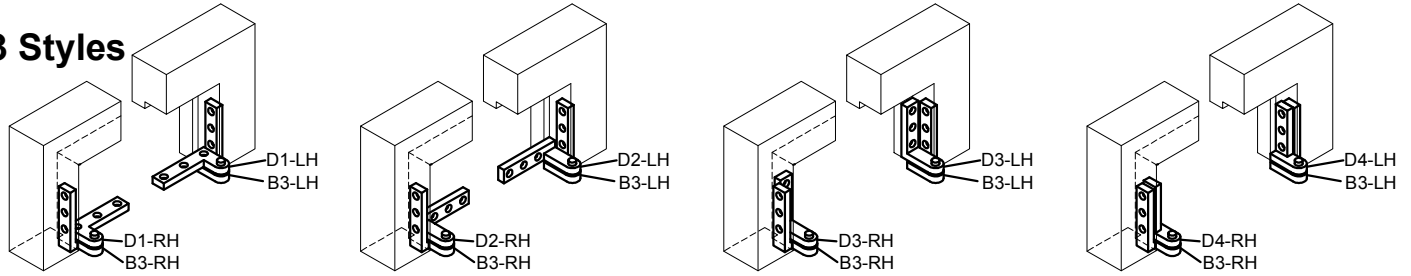
B1 Styles



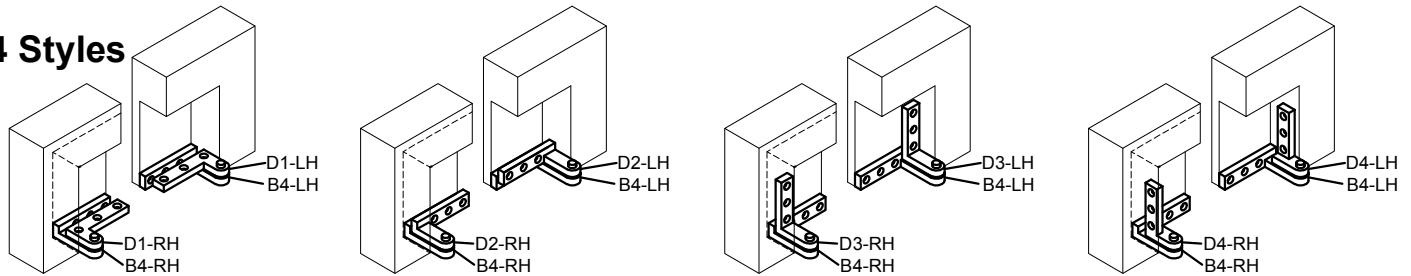
B2 Styles



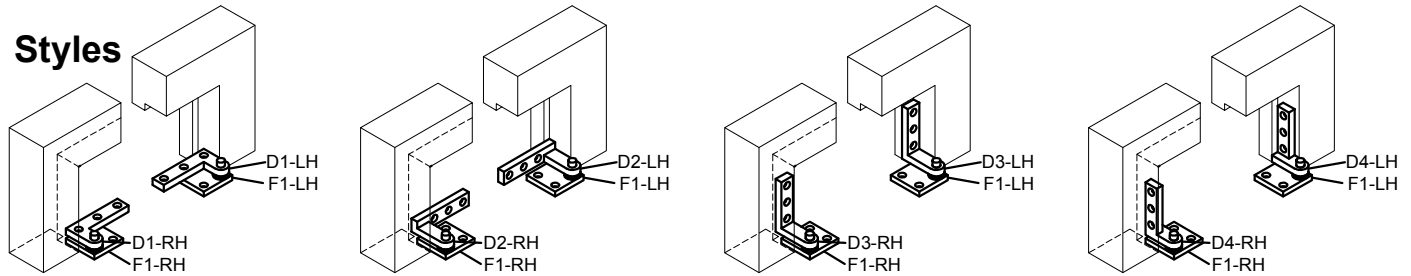
B3 Styles



B4 Styles



F1 Styles



www.abhmfg.com
 E-mail: abhinfo@abhmfg.com
 Architectural Builders Hardware Mfg., Inc.
 1222 Ardmore Ave., Itasca, IL 60143
 630 875 9900 FAX 800 9FAXABH (932 9224)

R0180 ISO ASSY COMMON CONFIGURATIONS-2-01.DWG

**R0180 ISO ASSY COMMON
 CONFIGURATIONS**

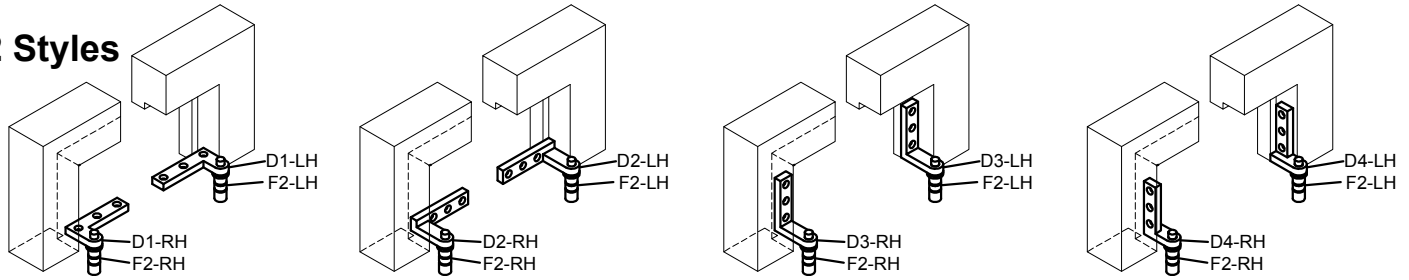
© 2015 ABH Mfg., Inc.
 Printed in USA

ISSUED 04 15 15

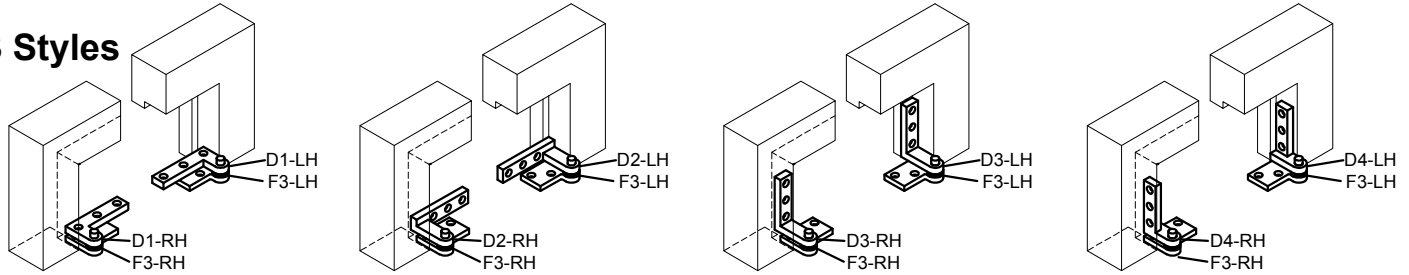
Offset Pivots Hinges-Common Assembly Configurations

Bottom Jamb-Bottom Door

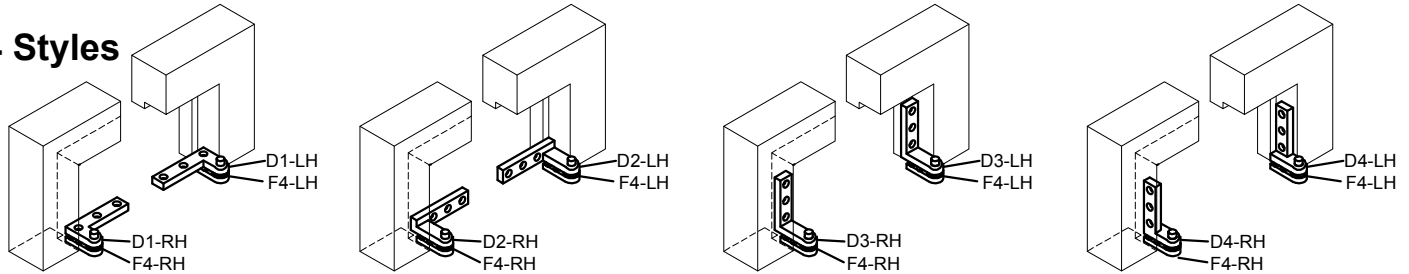
F2 Styles



F3 Styles

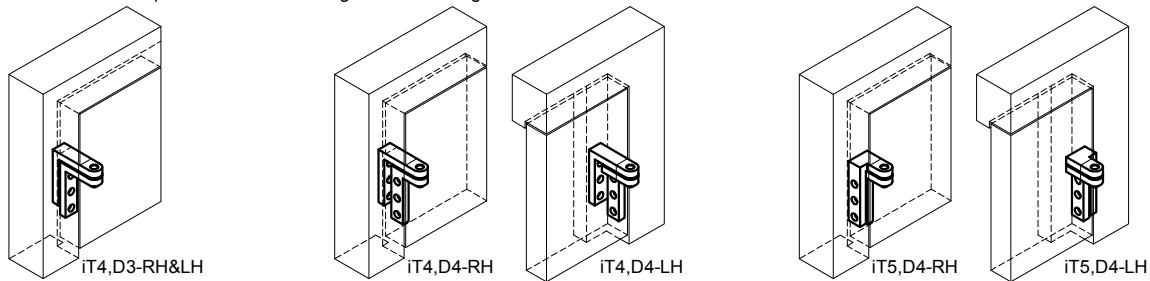


F4 Styles



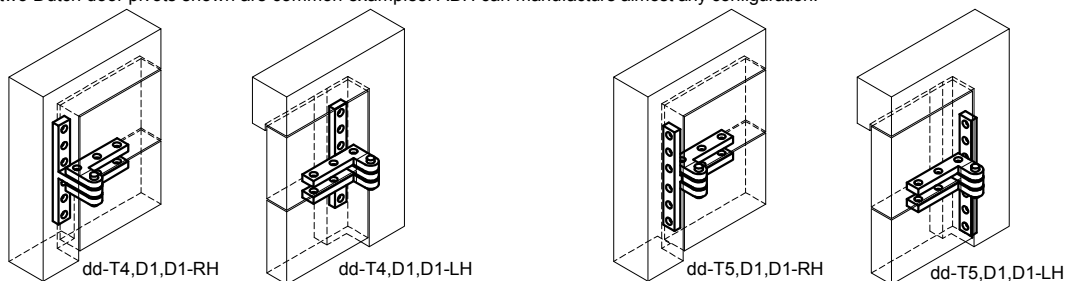
Intermediate Pivots

Intermediate Pivots keep tall doors from bowing. Use this configuration for door 8' and taller



Dutch Door Pivots

The two Dutch door pivots shown are common examples. ABH can manufacture almost any configuration.



® www.abhmfg.com
 E-mail: abhinfo@abhmfg.com
 Architectural Builders Hardware Mfg., Inc.
 1222 Ardmore Ave., Itasca, IL 60143
 630.875.9900; FAX 800.9FAXABH (932.9224)

R0180 ISO ASSY COMMON CONFIGURATIONS-3-01.DWG

R0180 ISO ASSY COMMON
 CONFIGURATIONS

© 2015 ABH Mfg., Inc.
 printed in USA

ISSUED 04-15-15