

PT200, PT200EZ, PT1000, PT1000EZ, PT1200EZ, PTC5E & PTC6 PLUS POWER TRANSFER

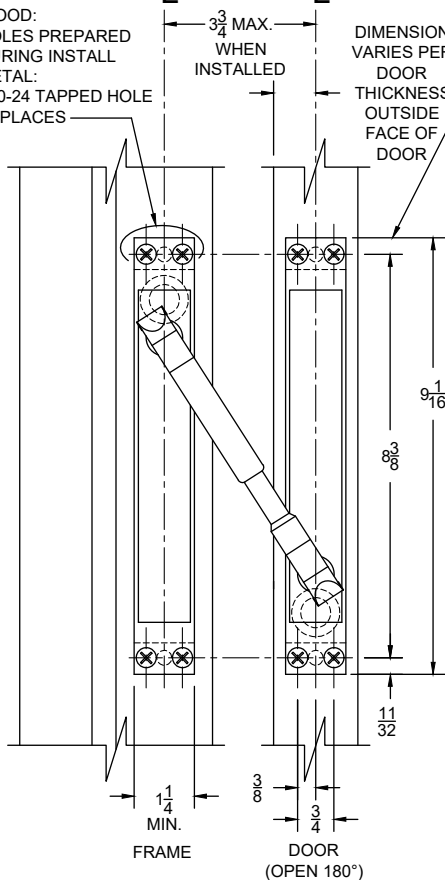


FOR USE WITH:

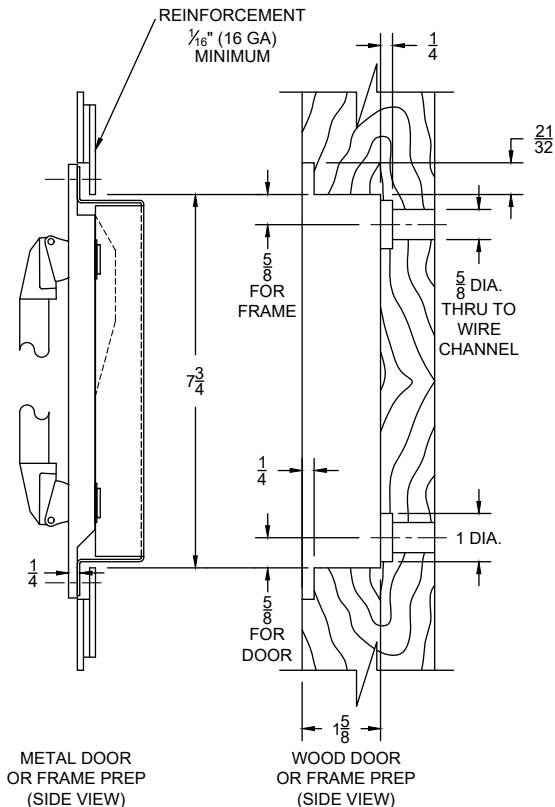
- DOOR THICKNESS 1-3/4" TO 2"
- BUTT HINGES UP TO 5" FOR MAX 180 DEG. DOOR SWING
- 5-1/2" BUTT HINGES FOR MAX 130 DEG. DOOR SWING (1-3/4" THICK DOOR ONLY)
- 6" BUTT HINGES FOR MAX 110 DEG. DOOR SWING (1-3/4" THICK DOOR ONLY)
- 3/4" OFFSET PIVOTS FOR 180 DEG. MAX DOOR SWING (1-3/4" THICK DOOR ONLY)
- CAM LIFT HINGES (UP TO 1/2" LIFT)-ALLOWING FOR 180° DOOR SWING

☉ OF PT IN FRAME MUST ALIGN WITH ☉ OF PT IN DOOR

WOOD:
HOLES PREPARED DURING INSTALL
METAL:
#10-24 TAPPED HOLE
12 PLACES



RECOMMENDED 6" BELOW UPPER HINGE ON DOORS UP TO 70" HIGH.
LOCATE 24" BELOW UPPER HINGE ON DOORS OVER 70" TO 100" HIGH.
NOTE: FOR WOOD FIRE DOOR, CONSULT DOOR MANUFACTURE FOR APPROVED LOCATION.



ELECTRICAL RATINGS	
PT200	(2) 18 AWG WIRES-MAX. RATING 24VDC, 5A OR 120VAC NEC CLASS 3
PT200EZ* with Molex®Micro-Fit 3.0 Connectors	(2) 18 AWG WIRES-MAX. RATING 24VDC, 5A OR 120VAC NEC CLASS 3
PT1000	(10) 24 AWG WIRES-MAX. RATING 24VDC, 1A
PT1000EZ* with Molex®Micro-Fit 3.0 Connectors	(12) 24 AWG WIRES-MAX. RATING 24VDC, 1A
PT1200EZ* with Molex®Mini-Fit Jr. Connectors	(10) 24 AWG WIRES-MAX. RATING 24VDC, 1A, (2) 18 AWG WIRES-MAX. RATING 24VDC, 5A OR 120VAC NEC CLASS 3
PTC5E	CAT-5E STANDARD ETHERNET CABLE, (MAX. 350 MHz), (1) 22 AWG WIRE; MAX. RATING: 24 VDC, 1A
PTC6PLUS	CAT 6 STANDARD ETHERNET CABLE (MAX. 550 MHz) (1) 22 AWG WIRE; MAX. RATING: 24 VDC, 1A

*EZ INDICATES MODEL WITH ABH EZ CONNECT WIRE CONNECTORS

© BRAND NAMES ARE TRADEMARKS OR REGISTERED TRADEMARKS OF THEIR RESPECTIVE COMPANIES

PT200 & PT1000-08.DWG



www.abhmfg.com
E-mail: abhinfo@abhmfg.com
Architectural Builders Hardware Mfg., Inc.
1222 Ardmore Ave., Itasca, IL 60143
630.875.9900; FAX 800.9FAXABH (932.9224)

PT200, PT200EZ, PT1000, PT1000EZ
PT1200EZ, PTC5E & PTC6PLUS

© 2022 ABH Mfg., Inc.
printed in USA

PAGE 1 OF 1
REVISED 08-30-23