

PT200, PT1000, PT1200EZ, PTC5E & PTC6 PLUS POWER TRANSFER

FOR USE WITH:

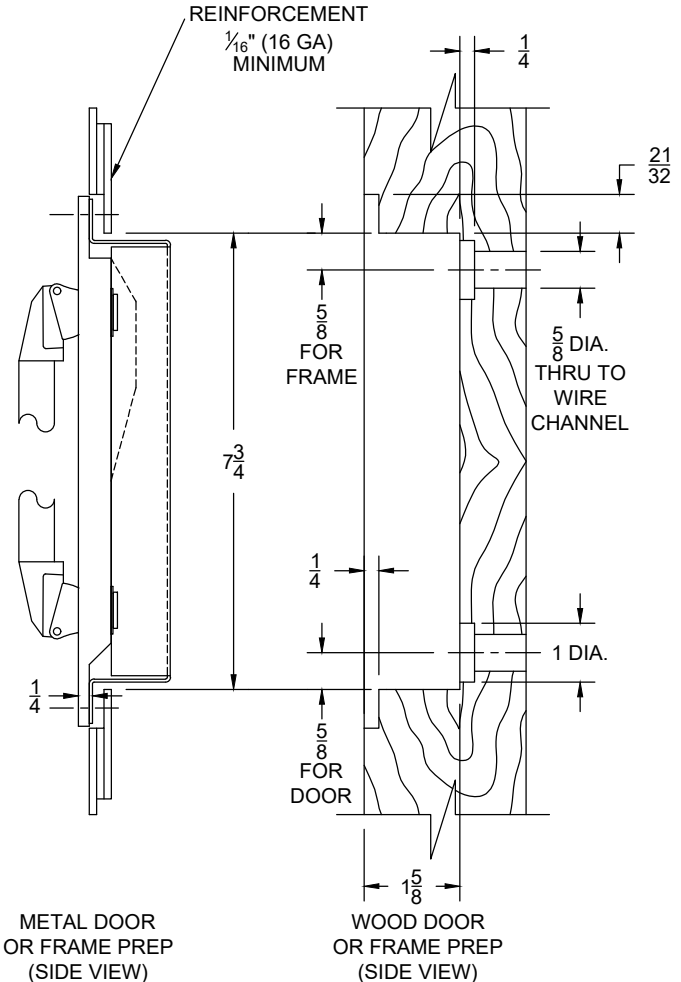
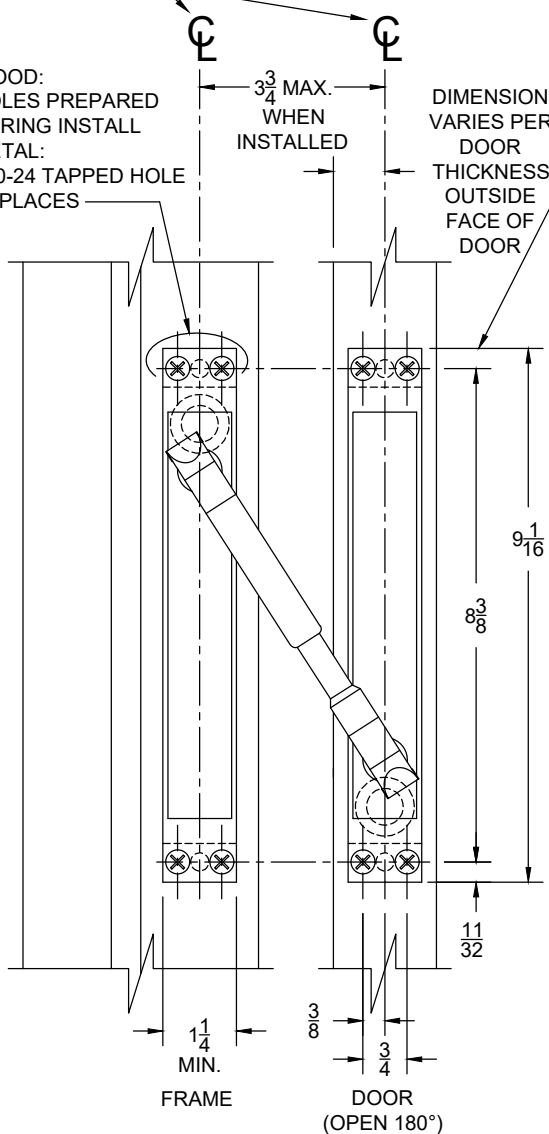
- DOOR THICKNESS 1-3/4" TO 2"
- BUTT HINGES UP TO 5" FOR MAX 180 DEG. DOOR SWING
- 5-1/2" BUTT HINGES FOR MAX 130 DEG. DOOR SWING (1-3/4" THICK DOOR ONLY)
- 6" BUTT HINGES FOR MAX 110 DEG. DOOR SWING (1-3/4" THICK DOOR ONLY)
- 3/4" OFFSET PIVOTS FOR 180 DEG. MAX DOOR SWING (1-3/4" THICK DOOR ONLY)



☉ OF PT IN FRAME MUST ALIGN WITH ☉ OF PT IN DOOR

RECOMMENDED 6" BELOW UPPER HINGE ON DOORS UP TO 7'0" HIGH.
 LOCATE 24" BELOW UPPER HINGE ON DOORS OVER 7'0" TO 10'0" HIGH.
 NOTE: FOR WOOD FIRE DOOR, CONSULT DOOR MANUFACTURE FOR APPROVED LOCATION.

WOOD:
 HOLES PREPARED DURING INSTALL
 METAL:
 #10-24 TAPPED HOLE
 12 PLACES



ELECTRICAL RATINGS	
PT200	(2) 18 AWG WIRES-MAX. RATING 24VDC, 5A OR 120VAC NEC CLASS 3
PT1000/PT1000EZ*	(12) 24 AWG WIRES-MAX. RATING 24VDC, 1A
PT1200EZ *	(12) 24 AWG WIRES-MAX. RATING 24VDC, 1A,
PTC5E	CAT-5E CABLE WIRE, (8) 24 AWG WIRES, (1) 22 AWG WIRE
PTC6PLUS	(8) 24 AWG WIRES & (1) 22 AWG WIRE STANDARD ETHERNET CABLE (1 - 250 MHz) MAX. RATING: 24 VDC, 1A

*EZ INDICATES MODEL WITH ABH EZ CONNECT WIRE CONNECTORS



www.abhmfg.com
 E-mail: abhinfo@abhmfg.com
 Architectural Builders Hardware Mfg., Inc.
 1222 Ardmore Ave., Itasca, IL 60143
 630.875.9900; FAX 800.9FAXABH (932.9224)

PT200, PT1000, PT1200EZ,
 PTC5E & PTC6PLUS

© 2021 ABH Mfg., Inc.
 printed in USA

PAGE 1 OF 1
 ISSUED 04-16-21

PT200 & PT1000-05.DWG