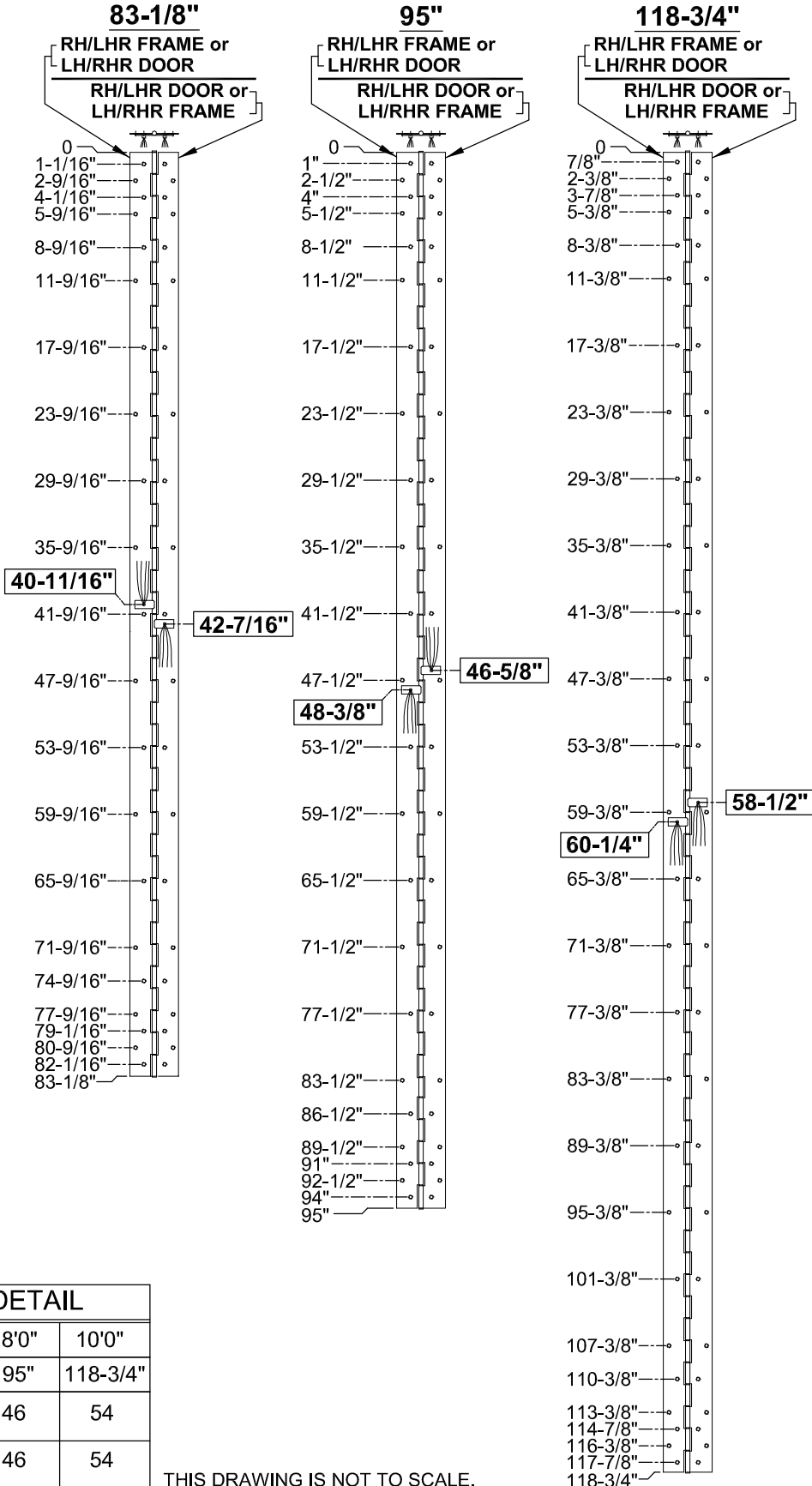
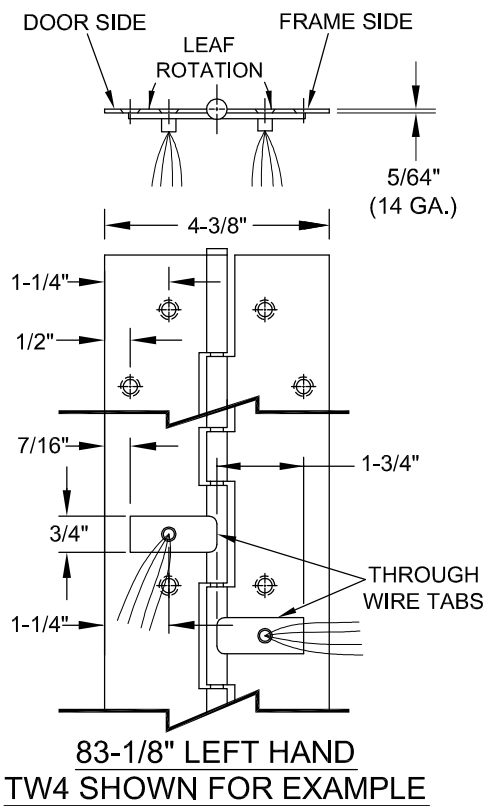


# A500 - "TW" or "EZ" OPTION, CONCEALED ELECTRIFICATION, FULL CONCEALED, EDGE MOUNT, STAINLESS STEEL HINGE



- NOTES:**
- HINGES CUT TO CUSTOM LENGTH ARE CUT FROM BOTTOM OF HINGE.
  - SPECIFY HANDING WHEN ORDERING.
  - SPECIFY WIRE CONFIGURATION WHEN ORDERING, TEMPLATE REMAINS THE SAME.

- CT4                      • CT4 x EZ \*
- CT8                     • CT8 x EZ \*
- CT12                    • CT12 x EZ \*

\* SPECIFY ELECTRIFIED HARDWARE MANUFACTURER FOR CONNECTOR COMPATIBILITY

- IF "M" OPTION (MOVEABLE PANEL) IS CHOSEN, TEMPLATE REMAINS THE SAME.
- 30 AWG WIRES, APPROX. 4" LONG PER SIDE, RATED 2 AMP CONTINUOUS LOW VOLTAGE.
- THRU WIRE LOCATION DIMENSIONS +/- 1/16".

STANDARD HINGE SIZES & SCREW DETAIL			
NOMINAL DOOR HEIGHT	7'0"	8'0"	10'0"
ACTUAL HINGE HEIGHT	83-1/8"	95"	118-3/4"
10-24 x 7/8" PHILLIPS FLAT HEAD, UNDERCUT, SELF-DRILLING MACHINE SCREW	42	46	54
#10 x 1-1/4" PHILLIPS FLAT HEAD, UNDERCUT, SHEET METAL SCREW	42	46	54

THIS DRAWING IS NOT TO SCALE.

A500-TW or EZ OPTION, CONCEALED ELECTRIFICATION-1-00.DWG



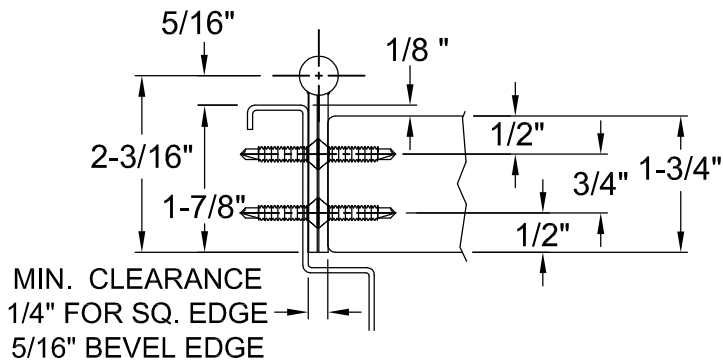
® www.abhmfg.com  
E-mail: abhinfo@abhmfg.com  
Architectural Builders Hardware Mfg., Inc.  
1222 Ardmore Ave., Itasca, IL 60143  
630.875.9900; FAX 800.9FAXABH (932.9224)

**A500 - "TW" or "EZ" OPTION  
CONCEALED ELECTRIFICATION**

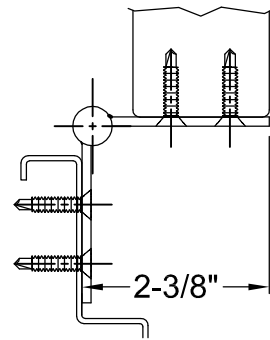
© 2016 ABH Mfg., Inc.  
printed in USA

PAGE 1 OF 2  
ISSUED 01-12-16

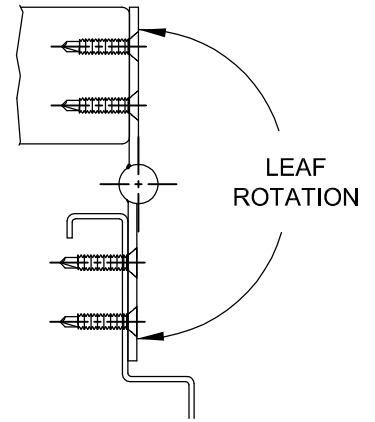
**A500 - "TW" or "EZ" OPTION, CONCEALED ELECTRIFICATION, FULL CONCEALED,  
EDGE MOUNT, STAINLESS STEEL HINGE**



**CLOSED POSITION**  
(WIRES NOT SHOWN)

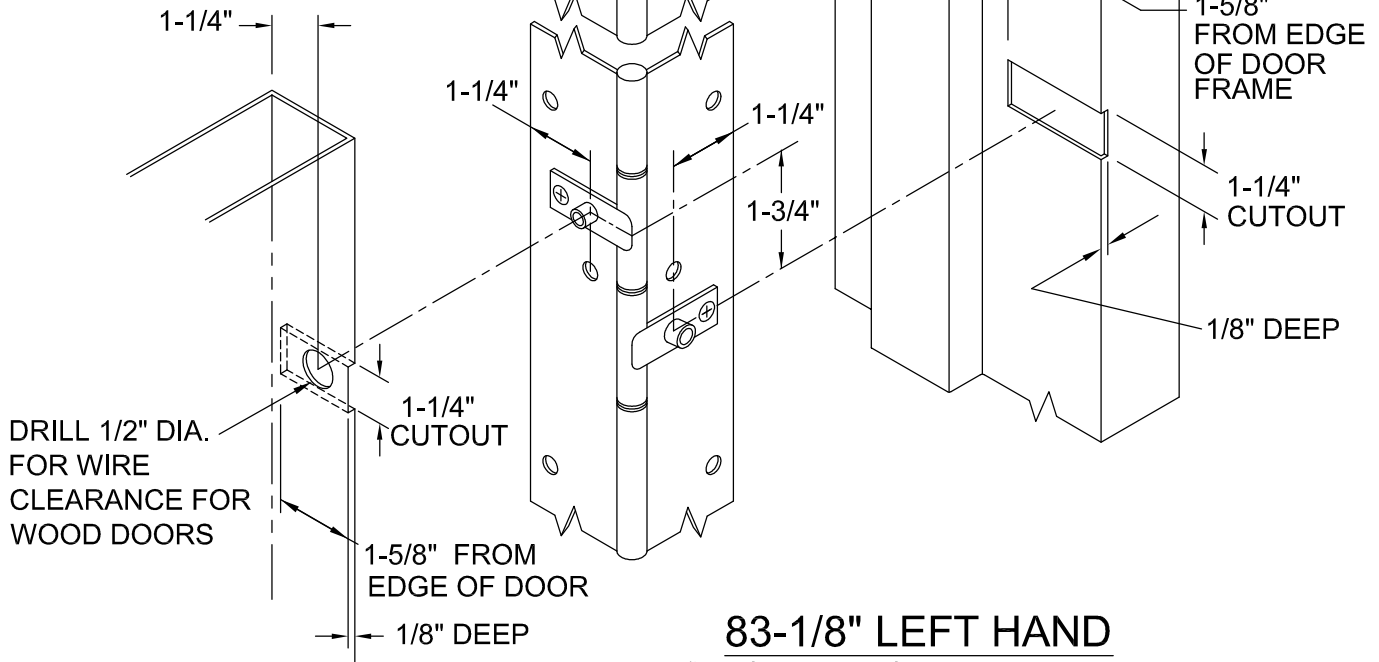
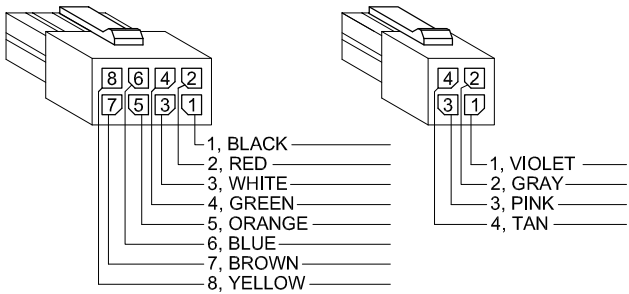


**90° OPEN POSITION**  
(WIRES NOT SHOWN)



**180° OPEN POSITION**  
(WIRES NOT SHOWN)

**EZ CONNECT OPTION**



**83-1/8" LEFT HAND  
SHOWN FOR EXAMPLE**

A500-TW or EZ OPTION, CONCEALED ELECTRIFICATION-2-00.DWG



www.abhmfg.com  
E-mail: abhinfo@abhmfg.com  
Architectural Builders Hardware Mfg., Inc.  
1222 Ardmore Ave., Itasca, IL 60143  
630.875.9900; FAX 800.9FAXABH (932.9224)

**A500 - "TW" or "EZ" OPTION  
CONCEALED ELECTRIFICATION**

© 2016 ABH Mfg., Inc.  
printed in USA

PAGE 2 OF 2  
ISSUED 01-12-16