

6700 / A6700 SERIES ORDER FORM

ORDER DATE: _____

CUSTOMER NAME: _____

CUSTOMER P.O. No.: _____

MORTISE LOCK MANUFACTURER NAME: _____

MORTISE LOCK MODEL No.: _____

JOB NAME: _____

ABH SALES ORDER No.: _____ QUANTITY: _____

CUSTOMER SIGNATURE: _____ DATE: _____

ABH does NOT recommend using mortise locks for levers. Please use knob version.

In order to provide push/pull trim that is correct for the mortise lock you are using, we are asking you to send us a sample of the exact lock you are providing on this job.

Some manufacturers have changed the hub size or provide different hubs for different functions. Having a physical sample will save us both time and trouble by ensuring you get the right product the first time and getting off the job much quicker. The sooner we get the sample the sooner we can start processing your order. We will ship the sample lock back with your order.

If after shipping, the mortise locks change and the hub is not per sample, your options would be to have your order modified at your expense or to order new units at the original price.

Please return this letter with your sample so we know to which purchase order it corresponds.

Please don't hesitate to contact us if you have any questions.



® www.abhmfg.com

E-mail: abhinfo@abhmfg.com

Architectural Builders Hardware Mfg., Inc.

1222 Ardmore Ave., Itasca, IL 60143

630.875.9900; FAX 800.9FAXABH (932.9224)

6700 SERIES ORDER FORM-1-03.DWG

6700 / A6700

© 2006 ABH Mfg., Inc.
printed in USA

REVISED 12-11-07

6700 / A6700 SERIES ORDER FORM

Date: _____

Customer: _____

P.O. Number: _____

Signed: _____

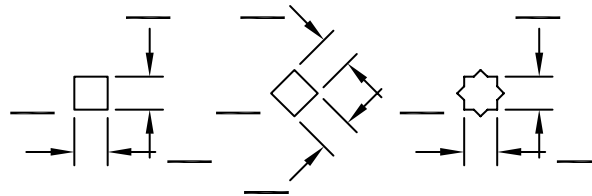
Lock Manufacturer: _____

Model Number: _____

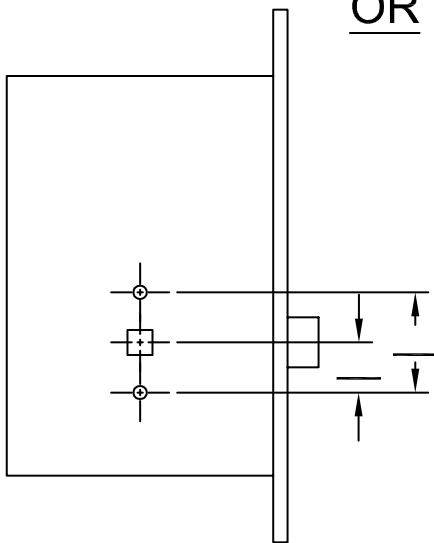
Signed: _____

Please indicate the dimensions required on one of the drawing below.

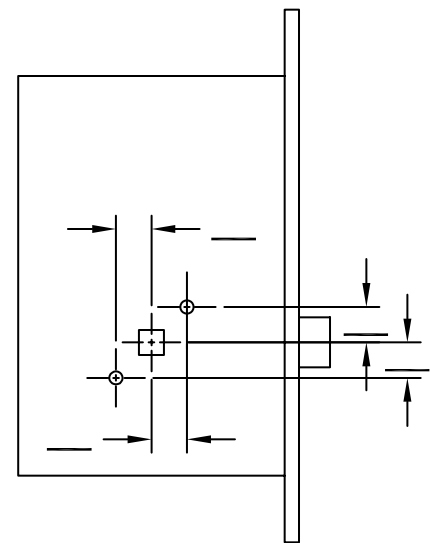
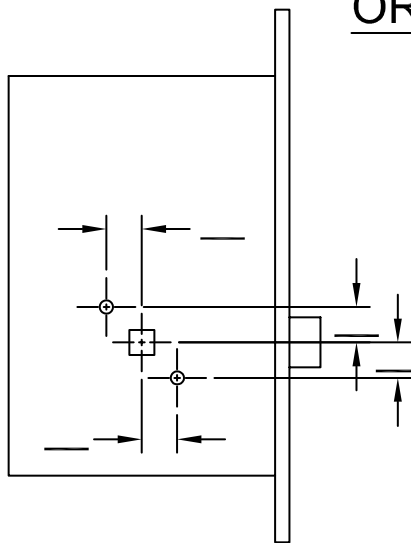
Hub type check & dimension one.



OR



OR



If after shipping, the mortise locks change and the hub is not per sample or is not the size you indicated, your options would be to to have your order modified at your expense or to order new units at the original price.



® www.abhmfg.com

E-mail: abhinfo@abhmfg.com

Architectural Builders Hardware Mfg., Inc.

1222 Ardmore Ave., Itasca, IL 60143

630.875.9900; FAX 800.9FAXABH (932.9224)

6700 SERIES ORDER FORM-2-01.DWG

6700 / A6700

© 2006 ABH Mfg., Inc.
printed in USA

ISSUED 07-26-05