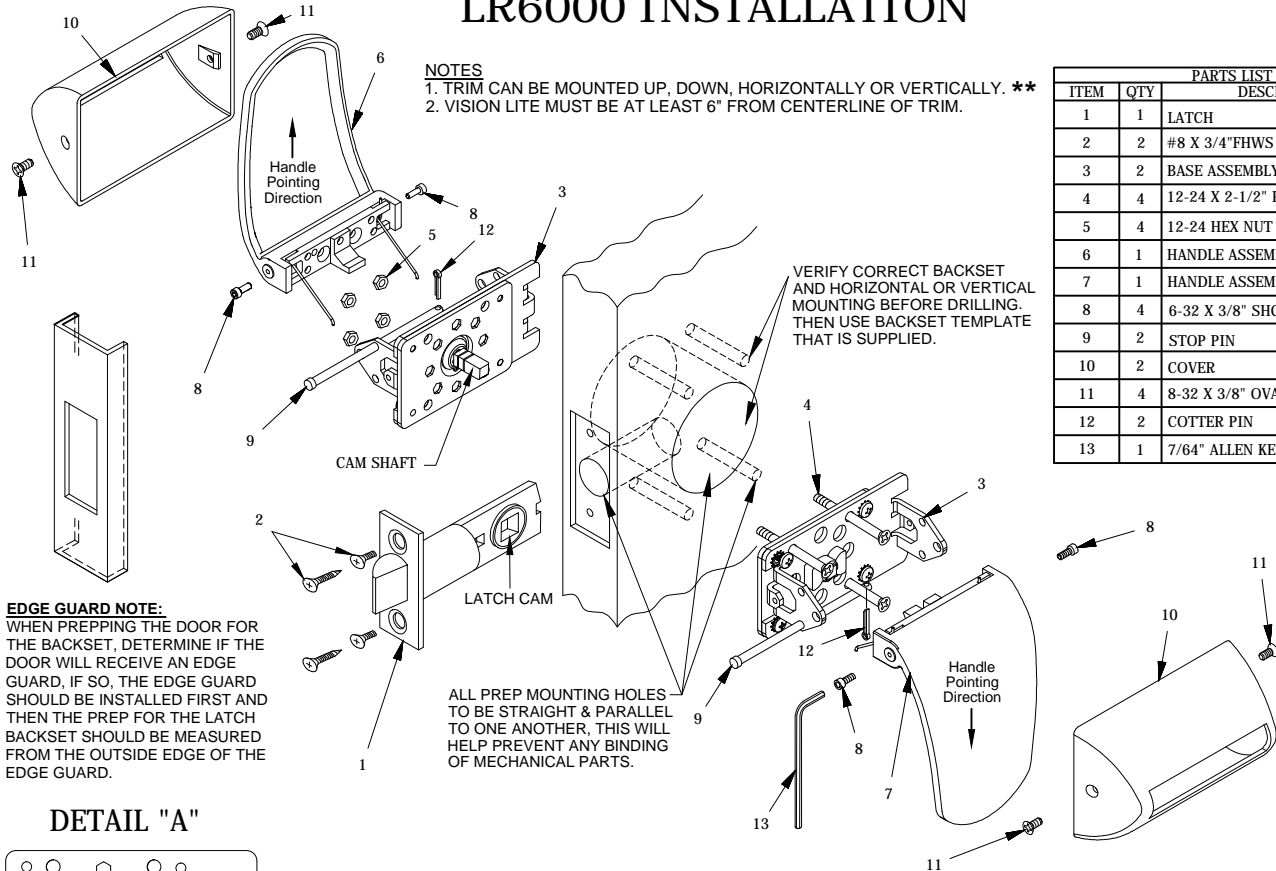


LR6000 INSTALLATION

NOTES

1. TRIM CAN BE MOUNTED UP, DOWN, HORIZONTALLY OR VERTICALLY. **
2. VISION LITE MUST BE AT LEAST 6" FROM CENTERLINE OF TRIM.

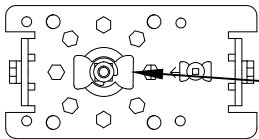
PARTS LIST		
ITEM	QTY	DESCRIPTION
1	1	LATCH
2	2	#8 X 3/4" FHWS OR 8-32 X 3/8" FHMS UC
3	2	BASE ASSEMBLY
4	4	12-24 X 2-1/2" PTHMS
5	4	12-24 HEX NUT
6	1	HANDLE ASSEMBLY, PULL
7	1	HANDLE ASSEMBLY, PUSH
8	4	6-32 X 3/8" SHCS
9	2	STOP PIN
10	2	COVER
11	4	8-32 X 3/8" OVAL HEAD M.S.
12	2	COTTER PIN
13	1	7/64" ALLEN KEY



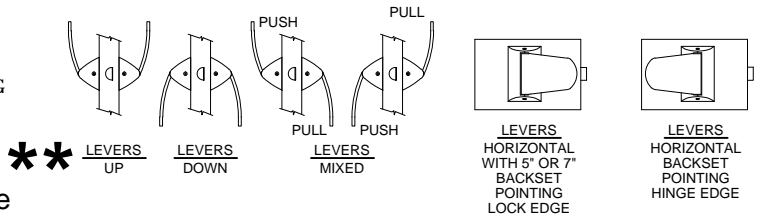
EDGE GUARD NOTE:
WHEN PREPPING THE DOOR FOR THE BACKSET, DETERMINE IF THE DOOR WILL RECEIVE AN EDGE GUARD. IF SO, THE EDGE GUARD SHOULD BE INSTALLED FIRST AND THEN THE PREP FOR THE LATCH BACKSET SHOULD BE MEASURED FROM THE OUTSIDE EDGE OF THE EDGE GUARD.

ALL PREP MOUNTING HOLES TO BE STRAIGHT & PARALLEL TO ONE ANOTHER. THIS WILL HELP PREVENT ANY BINDING OF MECHANICAL PARTS.

DETAIL "A"



NOTE:
BEFORE MOUNTING BASE ASSEMBLIES, CAM MUST BE ROTATED AS PER DRAWING SHOWN IN DETAIL "A".



INSTALLATION INSTRUCTIONS:

1. Prep door according to LR6000 Series latch template
2. Install latch using either #8 wood screws or 8-32 machine screws (Item 2).
3. Check (1) base assembly (Item 3) to ensure the cam is the position shown in Detail A (See above)
Place the base assembly on the push side of the door by inserting the cam shaft into the latch cam as detailed above.
4. Check the other base assembly (Item 3) and ensure the cam is the position shown in Detail A (See above). Place base assembly on the pull side of door by engaging the shaft into the latch cam as detailed above. Fasten both base assemblies together with (4) 12-24 screws (Item 4) and (4) 12-24 hex nuts (Item 5). Test that cams rotate freely on both sides of the door after tightening the screws.
5. Install the push handle assembly (Item 7) to the base assembly installed on push side of door using (2) socket head cap screws (Item 8). Insert (1) stop pin (Item 9) through the push base assembly on the the same side of the direction the push handle is pointing. Test push handle for proper operation to be sure stop pin was installed in appropriate base assembly hole.
6. Repeat Step #5 on the pull side of the door for the pull handle assembly (Item 6). Insert (1) stop pin (Item 9) through the pull base assembly on the opposite side of the direction the pull handle assembly is pointing. Test pull handle for proper operation to be sure stop pin was installed in appropriate base assembly hole.
7. Place covers (Item 10) over handles and fasten each cover with (2) 8-32 screws (Item 11).

PATENT PENDING

ABH
MANUFACTURING INC.

www.abhmfg.com
E-mail: abhinfo@abhmfg.com
Architectural Builders Hardware Mfg., Inc.
1222 Ardmore Ave., Itasca, IL 60143
630.875.9900; FAX 800.9FAXABH (932.9224)

© 2018 ABH Mfg., Inc.
printed in USA

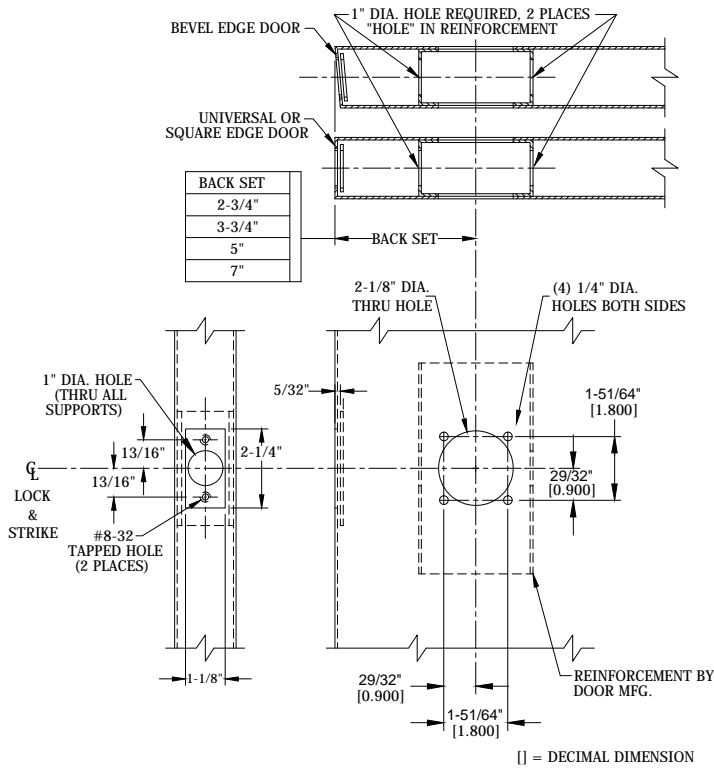
LR6000-1-03.DWG

LR6000

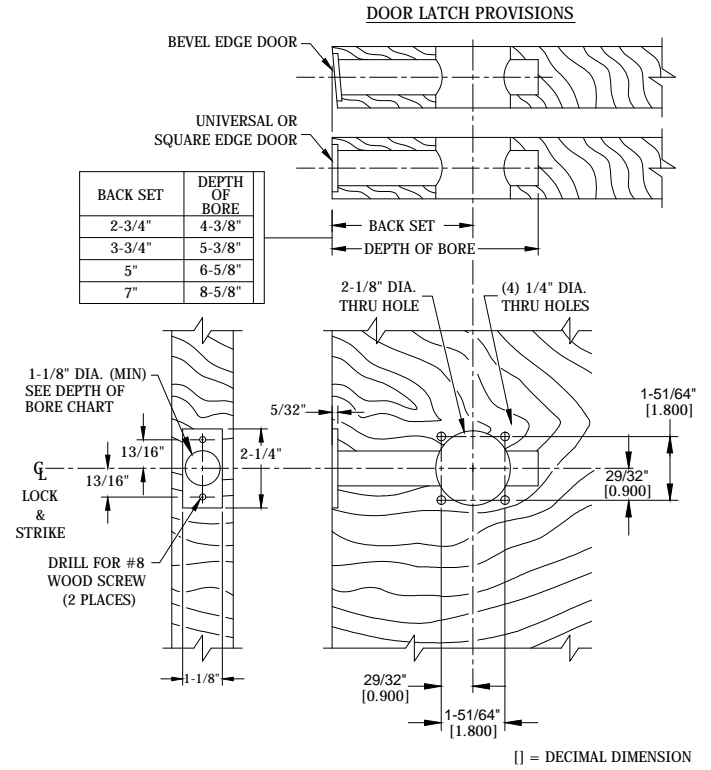
PAGE 1 OF 3

REVISED 11-05-18

LR6000 PUSH/PULL LATCH - DOOR PREP



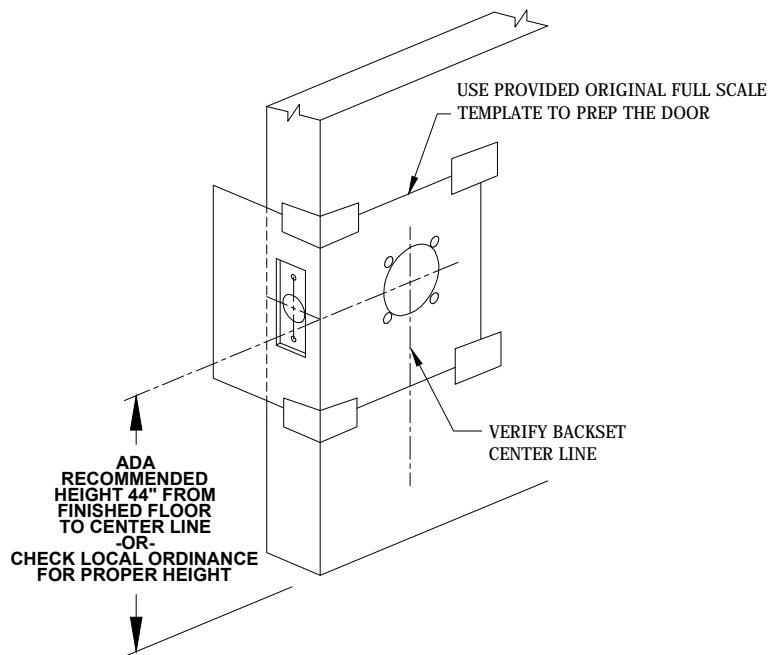
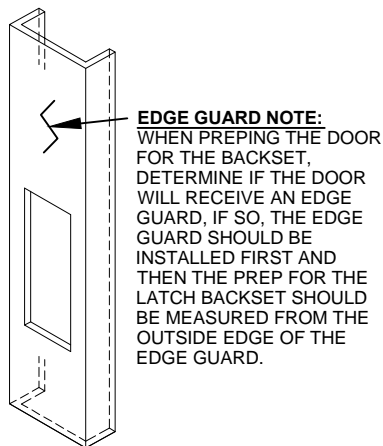
METAL DOOR



WOOD DOOR

DOOR PREP INFORMATION:

1. BACKSET DIMENSION FROM LOW EDGE OF BEVEL.
2. CENTER PUNCH ALL HOLES.
3. DRILL HOLES (FOR HOLLOW METAL DOORS, DO NOT DRILL THRU. CENTER PUNCH & DRILL HOLES FROM BOTH SIDES OF DOOR).



LR6000-2-03.DWG

ABH
MANUFACTURING INC.

www.abhmfg.com
E-mail: abhinfo@abhmfg.com
Architectural Builders Hardware Mfg., Inc.
1222 Ardmore Ave., Itasca, IL 60143
630.875.9900; FAX 800.9FAXABH (932.9224)

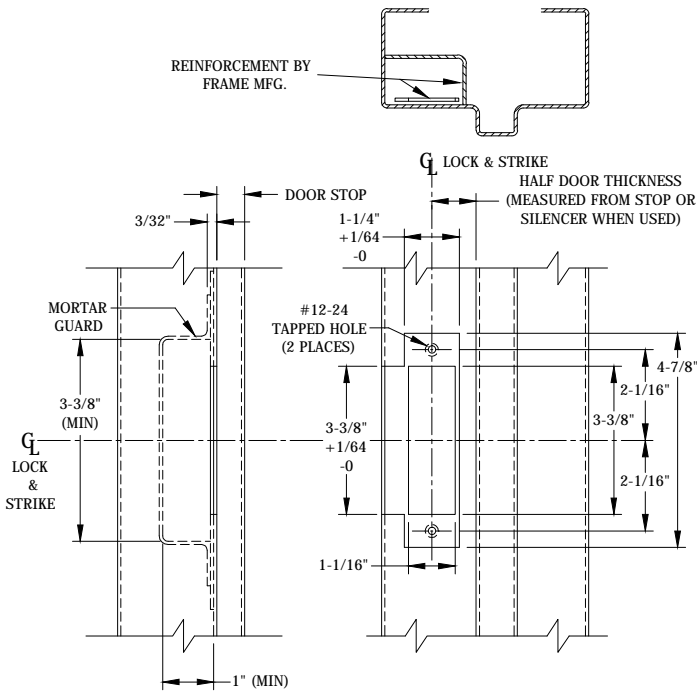
© 2018 ABH Mfg., Inc.
printed in USA

LR6000

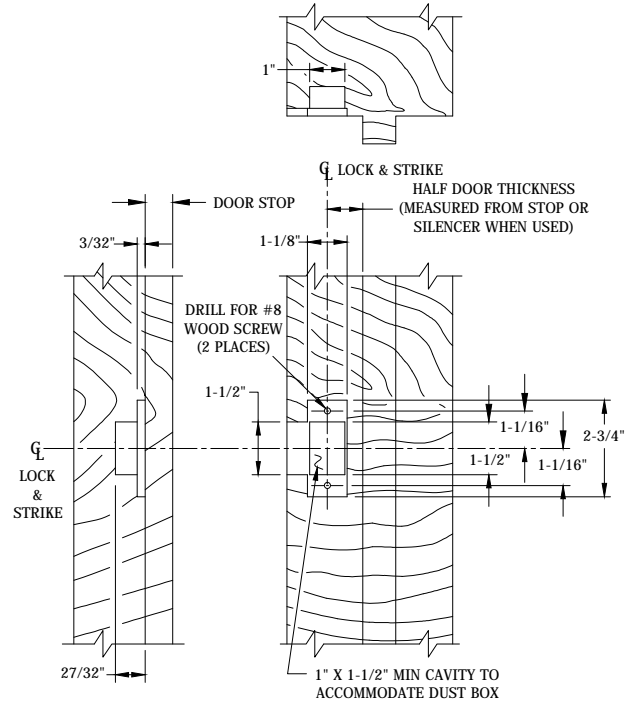
PAGE 2 OF 3

REVISED 11-05-18

LR6000 PUSH/PULL LATCH - FRAME PREP



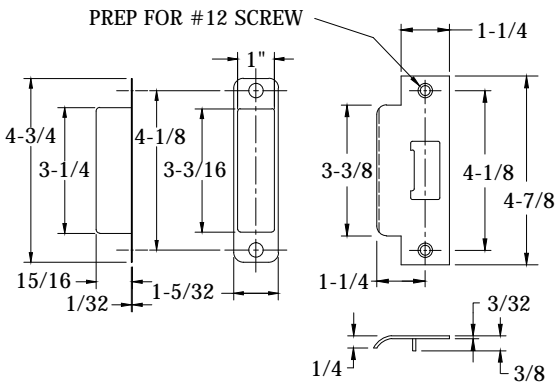
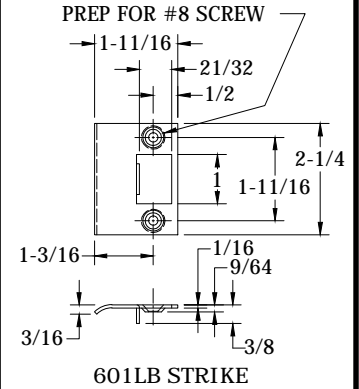
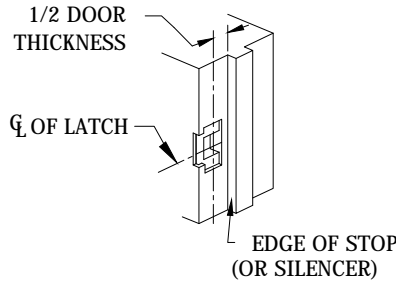
METAL FRAME
(ASA STRIKE SHOWN FOR EXAMPLE)



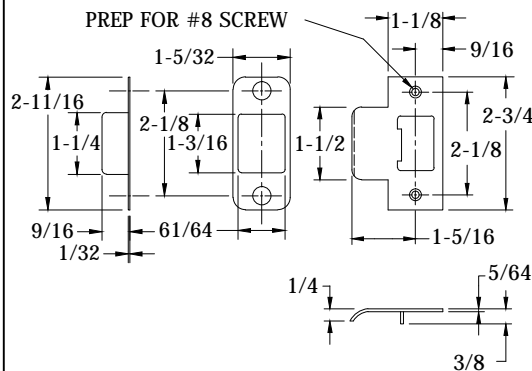
WOOD FRAME
("T" STRIKE SHOWN FOR EXAMPLE)

FRAME PREP

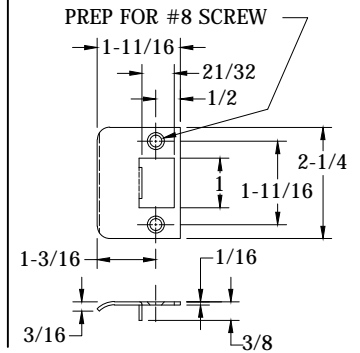
1. Mark centerline of latch bolt on frame.
2. Center strike and mark screw positions.
3. Mortise to required strike and box depth.
4. All dimensions in inches.



ASA STRIKE & DUST BOX



"T" STRIKE & DUST BOX



"D" STRIKE



www.abhmfg.com
E-mail: abhinfo@abhmfg.com
Architectural Builders Hardware Mfg., Inc.
1222 Ardmore Ave., Itasca, IL 60143
630.875.9900; FAX 800.9FAXABH (932.9224)

© 2018 ABH Mfg., Inc.
printed in USA

LR6000

PAGE 3 OF 3

REVISED 11-05-18

LR6000-3-03.DWG