

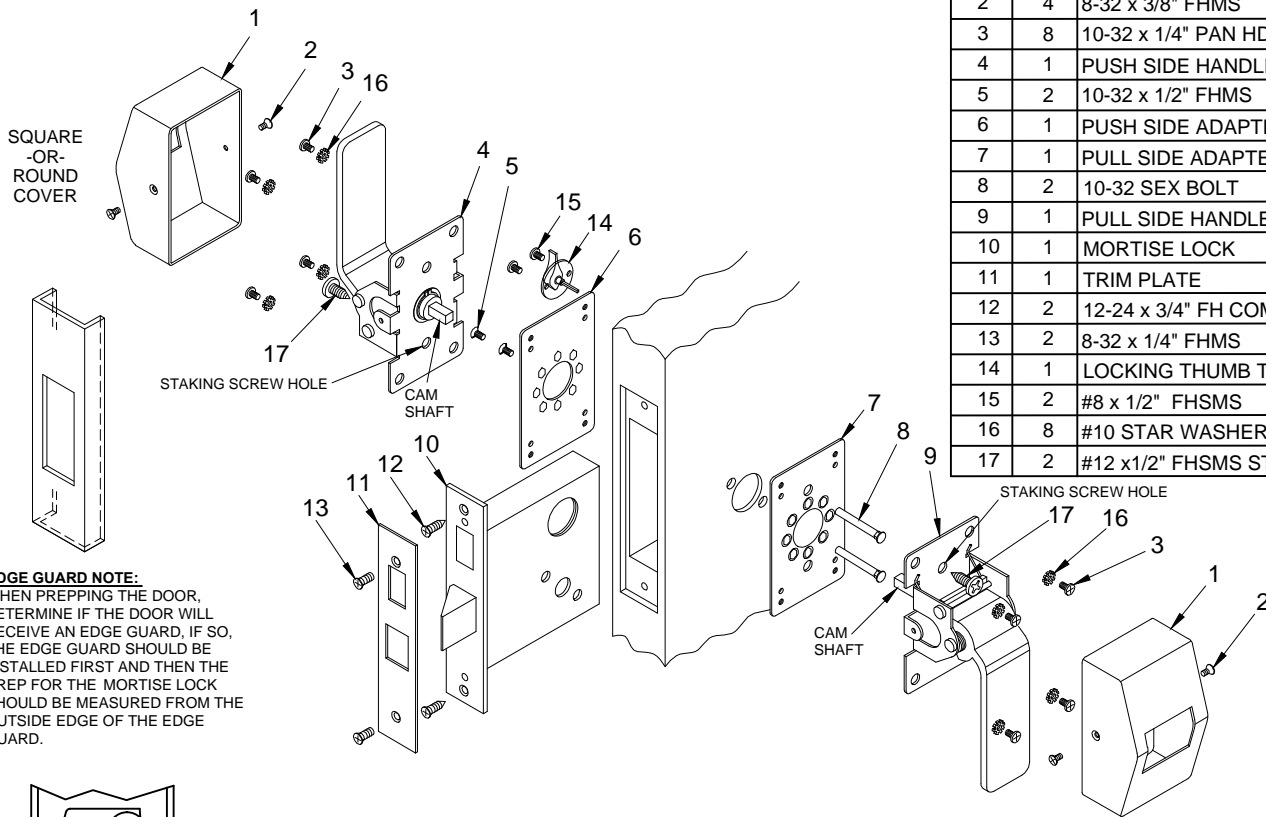
# 6600 SERIES INSTALLATION INSTRUCTIONS WITH MORTISE LOCK BODY



## NOTES

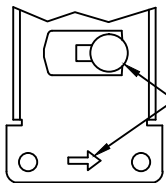
1. TRIM CAN BE MOUNTED UP, DOWN, HORIZONTALLY OR VERTICALLY. \*\*
2. VISION LITE MUST BE AT LEAST 6" FROM CENTERLINE OF TRIM.
3. USES 6600 SERIES MORTISE LOCK DOOR PREP.
4. MORTISE LOCK CYLINDER & LOCK CAM NOT PROVIDED.

ITEM	QTY	PART DESCRIPTION
1	2	COVER
2	4	8-32 x 3/8" FHMS
3	8	10-32 x 1/4" PAN HD. M.S.
4	1	PUSH SIDE HANDLE ASSY
5	2	10-32 x 1/2" FHMS
6	1	PUSH SIDE ADAPTER PLATE
7	1	PULL SIDE ADAPTER PLATE
8	2	10-32 SEX BOLT
9	1	PULL SIDE HANDLE ASSY
10	1	MORTISE LOCK
11	1	TRIM PLATE
12	2	12-24 x 3/4" FH COMBO
13	2	8-32 x 1/4" FHMS
14	1	LOCKING THUMB TURN (If used)
15	2	#8 x 1/2" FHSMS
16	8	#10 STAR WASHER
17	2	#12 x 1/2" FHSMS STAKING SCREW



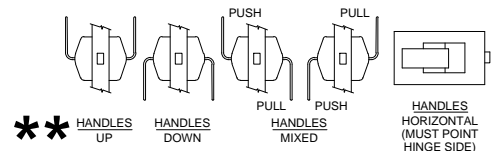
### EDGE GUARD NOTE:

WHEN PREPPING THE DOOR, DETERMINE IF THE DOOR WILL RECEIVE AN EDGE GUARD, IF SO, THE EDGE GUARD SHOULD BE INSTALLED FIRST AND THEN THE PREP FOR THE MORTISE LOCK SHOULD BE MEASURED FROM THE OUTSIDE EDGE OF THE EDGE GUARD.



**NOTE:**  
BEFORE MOUNTING BASE ASSEMBLIES CAM PIN MUST BE ROTATED TOWARDS SIDE INDICATED BY ARROW STAMPED ON THE BASE.

DETAIL "A"



## INSTALLATION INSTRUCTIONS:

1. Install mortise lock (item 10) using (2) 12-24 screws (item 12). Then mount the trim plate (item 11) using (2) 8-32 screws (item 13).
2. Install mounting plates: Determine if trim is to be mounted horizontal or vertical. Insert (2) sex bolts (item 8) thru pull side adapter plate (item 7) to match holes on door face. Then place push side adapter plate (item 6) on outside of door and attach with (2) flat head screws (item 5). Do NOT over tighten.
3. Assemble trim:
  - A) Test both handles to determine which is the push or pull type.
  - B) Select the pull trim first. With trim in hand, rotate the cam assembly until the cam pin stops on the appropriate side (see Detail "A").
  - C) Place pull side handle on pull side of the door so that cam shaft engages with the mortise lock and fasten with (4) pan head screws (item 3) with (4) star washer (item 17). Test pull side handle (item 9) for latch retraction. If latch does not extend. Loosen both flat head screws (item 5) to adjust alignment.
  - D) Mount the push side handle (item 4) using the same method.
  - E) Test lock for proper operation.
  - F) To prevent the handle assemblies from possible twisting, which in turn can cause binding, determine which staking screw hole will be used for the push and the pull side handle assemblies (the staking screw installs on the staking screw hole location opposite the direction the handle is mounted). Install (1) staking screw on each side using #12 PHSMS (item 17).
  - G) Place cover (item 1) over push/pull trims and secure with (2) 8-32 screws (item 2) on each side.
4. If provided, install locking thumb turn (item 14) using (2) #8 screws (item 15).

PATENT No. 5,730,478 & 6,196,599



www.abhmfg.com  
E-mail: abhinfo@abhmfg.com  
Architectural Builders Hardware Mfg., Inc.  
1222 Ardmore Ave., Itasca, IL 60143  
630.875.9900; FAX 800.9FAXABH (932.9224)

©2019 ABH Mfg., Inc.  
printed in USA

6600-1-10.DWG

6600

PAGE 1 OF 3

REVISED 10-14-19

# 6600 SERIES HOLE PATTERN CHART

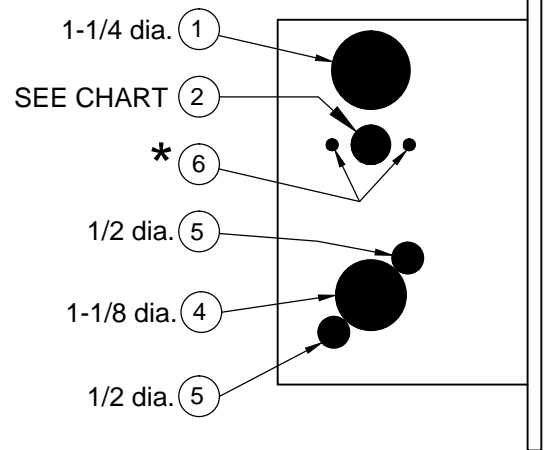
Lockset function	Inside holes					Outside holes				
	1	2	4	5	6	1	2	4	5	6
	Cylinder 1-1/4" dia.	Turn knob 5/8" dia.	Trim 1-1/8" dia.	Thru-bolt 1/2" dia. (2)	Trim turn knob *(2)	Cylinder 1-1/4" dia.	Emergency Key 1/2" dia.	Trim 1-1/8" dia.	Thru-bolt 1/2" dia. (2)	Trim turn knob *(2)
6610 (Passage/Closet Latchset)			■	■				■	■	
6632 (Privacy)		■	■	■			■	■	■	
6637 (Store Door Lock)	■		■	■		■		■	■	
6638 (Entry/Restroom Lock)	■		■	■		■		■	■	
6641 (Asylum Lock)	■		■	■		■		■	■	
6645 (Hotel/Motel Lock)		■	■	■	■	■		■	■	
6652 (Office Lock)		■	■	■	■	■		■	■	
6653 (Dormitory/Bedroom Lock)		■	■	■		■		■	■	
6654 (Entry/Office Lock)		■	■	■	■	■		■	■	
6656 (Classroom Lock)			■	■		■		■	■	
6657 (Dormitory Lock)		■	■	■		■		■	■	
6658 (Storeroom/Exit Lock)			■	■		■		■	■	

\* Determine trim holes based on trim type.

ADA recommends mounting centerline of lock 44" from top of finished floor.

-OR- Check local ordinance for proper height.

**Caution:** Not all holes shown above need to be drilled. Use the diagram AND the chart to determine the holes that you need to drill for your trim and function combination.



www.abhmfg.com  
 E-mail: abhinfo@abhmfg.com  
 Architectural Builders Hardware Mfg., Inc.  
 1222 Ardmore Ave., Itasca, IL 60143  
 630.875.9900; FAX 800.9FAXABH (932.9224)

©2019 ABH Mfg., Inc.  
 printed in USA

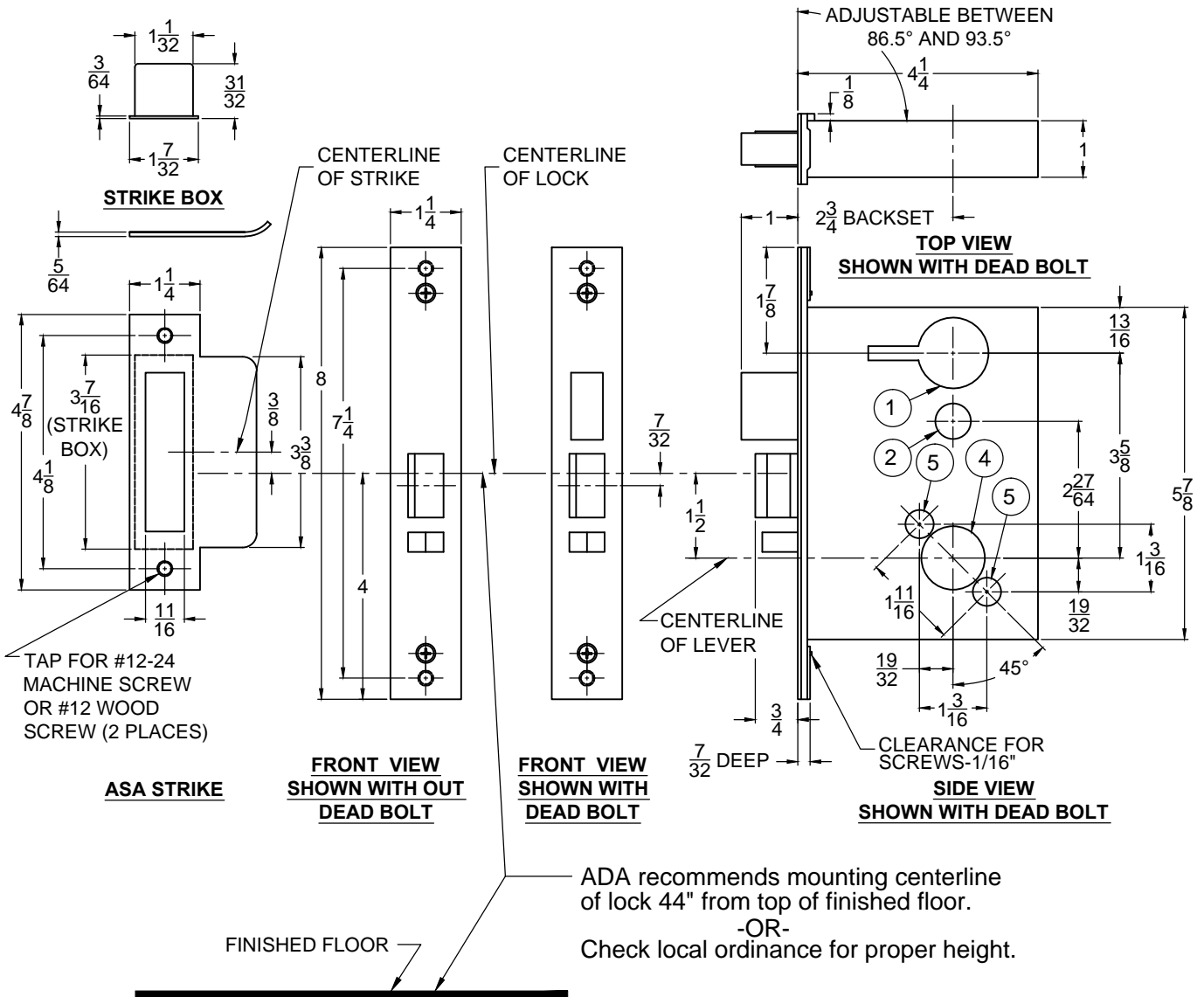
6600-2-09.DWG

## 6600

PAGE 2 OF 3

REVISED 10-14-19

# 6600 SERIES PUSH/PULL LATCH - DOOR & FRAME PREP



## Lock case holes:

- ① Cylinder hole-1-1/4" dia.
- ② Turn knob-5/8" dia. / Emergency key-1/2" dia.
- ④ Trim hole-1-1/8" dia.
- ⑤ Thru-bolt holes- (two required) 1/2" dia.

## Notes:

1. Before drilling check the hole pattern chart.
2. The maximum door-to-frame gap is 3/16".
3. Allow 3/64" clearance for the strike box thickness.
4. For metal door, lock case support is required from the door manufacturer.
5. Tap for a #12-24 machine screw or drill for a #12 wood screw (a combination screw is supplied).



www.abhmfg.com  
 E-mail: abhinfo@abhmfg.com  
 Architectural Builders Hardware Mfg., Inc.  
 1222 Ardmore Ave., Itasca, IL 60143  
 630.875.9900; FAX 800.9FAXABH (932.9224)

©2019 ABH Mfg., Inc.  
 printed in USA

6600-3-10.DWG

6600

PAGE 3 OF 3

REVISED 10-14-19