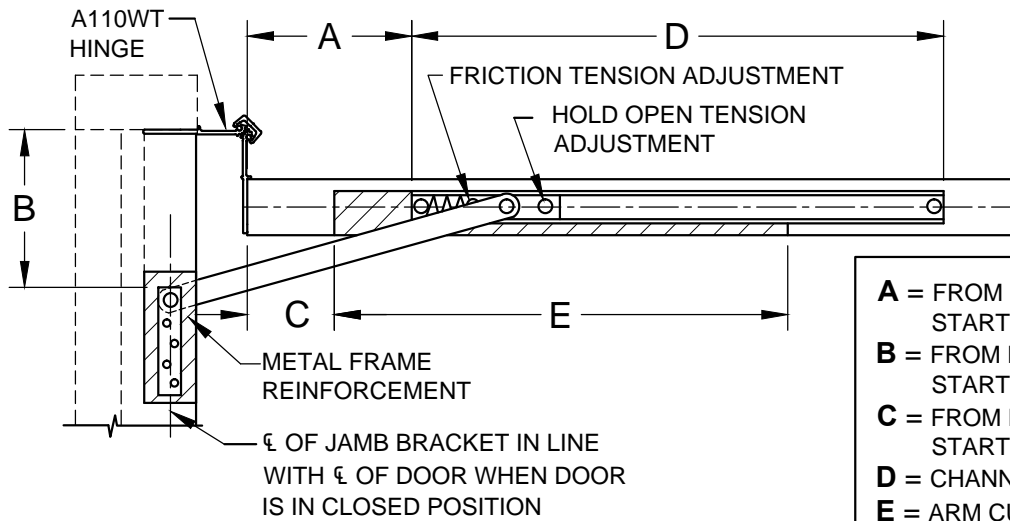
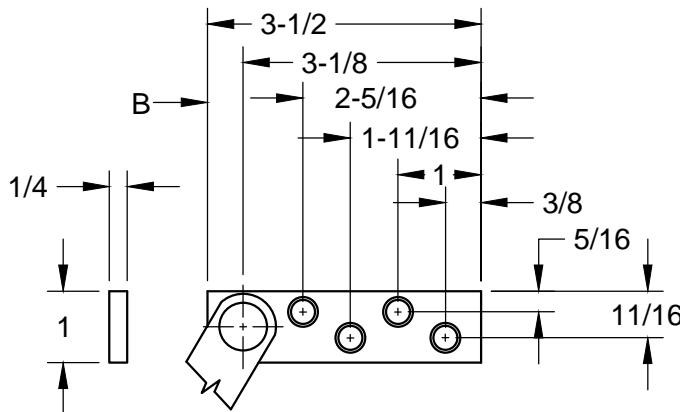
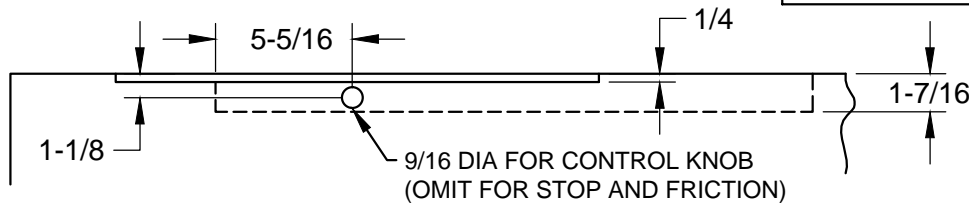


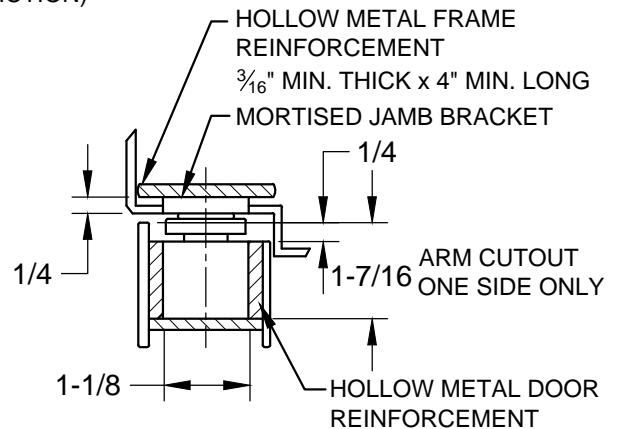
1000 SERIES CONCEALED HOLDERS & STOPS WITH A110WT WIDE THROW HINGE



A = FROM HINGE EDGE OF DOOR TO START OF CHANNEL CUT-OUT
B = FROM HINGE EDGE OF FRAME TO START OF JAMB BRACKET
C = FROM HINGE EDGE OF DOOR TO START OF ARM CUT-OUT
D = CHANNEL CUT OUT LENGTH
E = ARM CUT OUT



JAMB BRACKET



SINGLE ACTING DOOR

SCREW DETAIL			
	QTY	WOOD	METAL
JAMB	4	#14 x 1-1/2 FLAT HEAD WOOD SCREW	1/4-20 x 3/4 FLAT HEAD MACHINE SCREW
DOOR	2	#18 x 2-1/2 FLAT HEAD WOOD SCREW	5/16-18 x 1-1/2 TRUSS HEAD MACHINE SCREW

NOTES:

1. REVERSIBLE/ NON - HANDED
2. FOR SINGLE ACTING DOORS ONLY
3. ALL DRILLING & TAPPING TO BE DONE IN FIELD.
4. ALWAYS REQUEST LATEST TEMPLATE/ DRAWING FOR NEW INSTALLATIONS.
5. ALL DIMENSIONS ARE IN INCHES.
6. DRAWING IS NOT TO SCALE.



www.abhmfg.com
 E-mail: abhinfo@abhmfg.com
 Architectural Builders Hardware Mfg., Inc.
 1222 Ardmore Ave., Itasca, IL 60143
 630.875.9900; FAX 800.9FAXABH (932.9224)

A110 WIDE THROW HINGE

©2017 ABH Mfg., Inc.
 printed in USA

1000 WITH
 1000WT-1-02.DWG
 PAGE 1 OF 2
 REVISED 05-03-17

1000 SERIES CONCEALED HOLDERS & STOPS WITH A110WT WIDE THROW HINGE

• 1010 HOLD-OPEN • 1020 STOP • 1030 FRICTION
FOR 1-3/4" THICK DOOR

1. FOR DEAD STOP ADD 5/8" TO "A" DIMENSION 3. "A" & "C" DIM. MEASURED FROM HINGE EDGE OF DOOR.
2. ALL DIMENSIONS ARE IN INCHES 4. "B" DIM. MEASURED FROM HINGE EDGE OF FRAME.

DEGREE		85° H.O.				90° H.O.				95° H.O.				
MODEL NO.	DOOR OPENING	A	B	C	E	A	B	C	E	A	B	C	E	D
• 1016 • 1026 • 1036	18 TO 22-15/16	—	—	—	—	—	—	—	—	—	—	—	—	15-9/16
• 1017 • 1027 • 1037	23 TO 26-15/16	3-7/8	4-1/2	0	17-1/4	3-1/2	4-3/16	0	17	—	—	—	—	16-7/8
• 1011 • 1021 • 1031	27 TO 29-15/16	5-11/16	5-5/8	4-3/8	17	5-1/4	5-1/4	3-7/8	17	5	4-3/4	3-1/4	17-1/4	18-5/8
• 1012 • 1022 • 1032	30 TO 35-15/16	6-13/16	7-1/8	6	18-1/4	6-3/8	6-3/4	5-1/2	18-1/2	6	6-1/8	4-7/8	18-3/8	20-1/16
• 1013 • 1023 • 1033	36 TO 39-15/16	11-1/4	7-7/8	6-3/4	22-5/8	10-11/16	7-1/2	6-3/8	22-5/8	10-1/8	7-3/8	6-1/4	22-5/8	21-3/8
• 1014 • 1024 • 1034	40 TO 43-15/16	14-1/8	8-7/8	7-3/4	25-5/8	13-7/16	8-1/2	7-1/4	25-3/4	12-7/8	8-1/8	6-7/8	25-3/4	22-9/16
• 1015 • 1025 • 1035	44 TO 52	16-7/8	10-1/8	8-7/8	28-3/4	16-1/4	9-1/2	8-1/8	28-3/4	15-11/16	8-7/8	7-1/2	28-3/4	23-11/16

DEGREE		100° H.O.				105° H.O.				110° H.O.				
MODEL NO.	DOOR OPENING	A	B	C	E	A	B	C	E	A	B	C	E	D
• 1016 • 1026 • 1036	18 TO 22-15/16	—	—	—	—	—	—	—	—	—	—	—	—	15-9/16
• 1017 • 1027 • 1037	23 TO 26-15/16	—	—	—	—	—	—	—	—	—	—	—	—	16-7/8
• 1011 • 1021 • 1031	27 TO 29-15/16	4-9/16	5	0	21	—	—	—	—	—	—	—	—	18-5/8
• 1012 • 1022 • 1032	30 TO 35-15/16	5-11/16	5-3/4	4-1/2	19-1/8	5-7/16	5-7/16	2-3/4	19-7/8	—	—	—	—	20-1/16
• 1013 • 1023 • 1033	36 TO 39-15/16	9-3/4	6-7/8	5-5/8	22-3/4	9-7/16	6-3/8	4-3/4	23-1/8	9-3/16	6	2	26-5/8	21-3/8
• 1014 • 1024 • 1034	40 TO 43-15/16	12-7/16	7-5/8	6-3/8	25-1/2	12-5/16	6-3/4	5-7/8	25-7/8	11-3/4	7	5-1/4	26-1/4	22-9/16
• 1015 • 1025 • 1035	44 TO 52	15-1/4	8-1/4	6-3/4	28-7/8	14-15/16	7-1/2	5-3/4	29-1/8	14-7/8	6-3/4	4	30	23-11/16



www.abhmfg.com
E-mail: abhinfo@abhmfg.com
Architectural Builders Hardware Mfg., Inc.
1222 Ardmore Ave., Itasca, IL 60143
630.875.9900; FAX 800.9FAXABH (932.9224)

1000 WITH
A110 WIDE THROW HINGE

©2017 ABH Mfg., Inc.
printed in USA

PAGE 2 OF 2
REVISED 05-03-17

1000WT-2-02.DWG