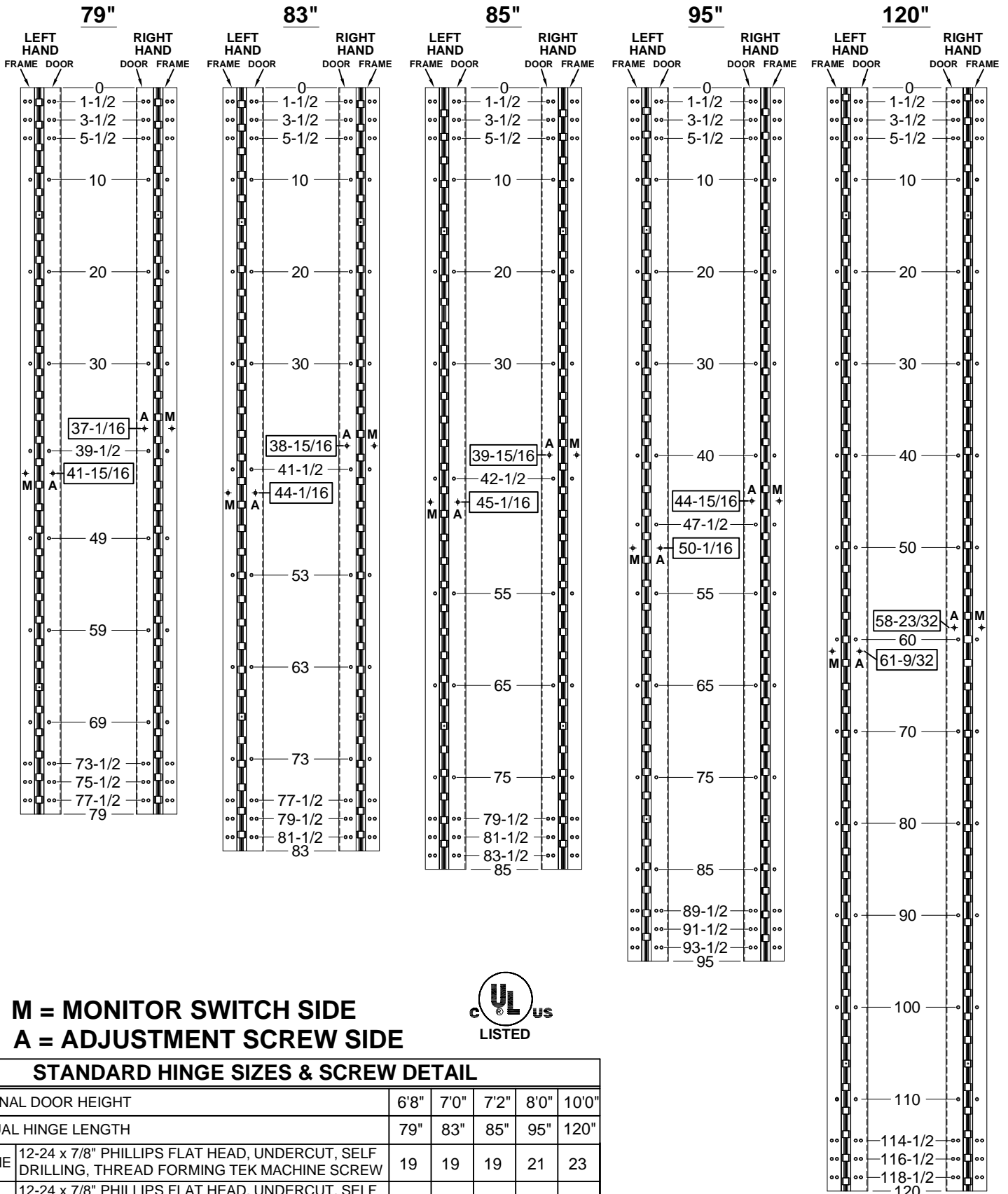


**A140HD - "ES" OPTION, CONCEALED ELECTRIFICATION, FULL CONCEALED,
ALUMINUM GEARED HINGE**



M = MONITOR SWITCH SIDE
A = ADJUSTMENT SCREW SIDE



STANDARD HINGE SIZES & SCREW DETAIL

NOMINAL DOOR HEIGHT	6'8"	7'0"	7'2"	8'0"	10'0"
ACTUAL HINGE LENGTH	79"	83"	85"	95"	120"
FRAME	12-24 x 7/8" PHILLIPS FLAT HEAD, UNDERCUT, SELF DRILLING, THREAD FORMING TEK MACHINE SCREW				
DOOR	12-24 x 7/8" PHILLIPS FLAT HEAD, UNDERCUT, SELF DRILLING, THREAD FORMING TEK MACHINE SCREW				
	19	19	19	21	23



www.abhmfg.com
E-mail: abhinfo@abhmfg.com
Architectural Builders Hardware Mfg., Inc.
1222 Ardmore Ave., Itasca, IL 60143
630.875.9900; FAX 800.9FAXABH (932.9224)

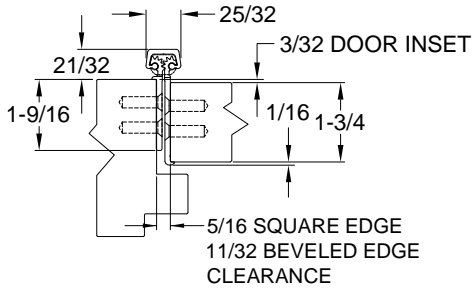
A140HD-ES OPTION, CONCEALED ELECTRIFICATION-1-02

**A140HD - "ES" OPTION
CONCEALED ELECTRIFICATION**

©2016 ABH Mfg., Inc.
printed in USA

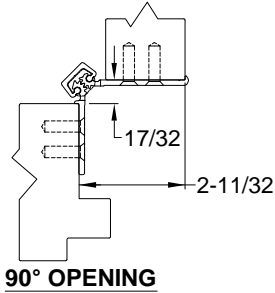
PAGE 1 OF 2
ISSUED 05-02-16

**A140HD - "ES" OPTION, CONCEALED ELECTRIFICATION, FULL CONCEALED,
ALUMINUM GEARED HINGE**

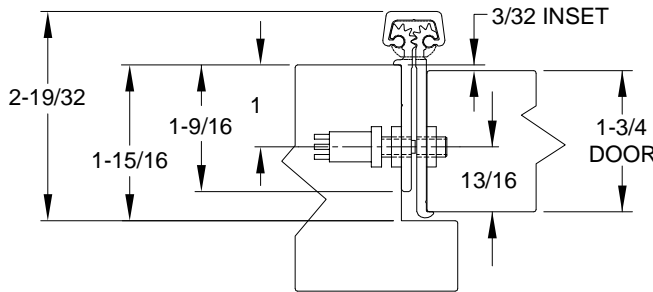


CLOSED POSITION

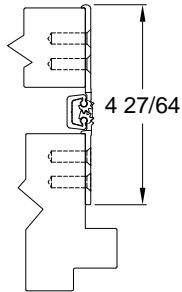
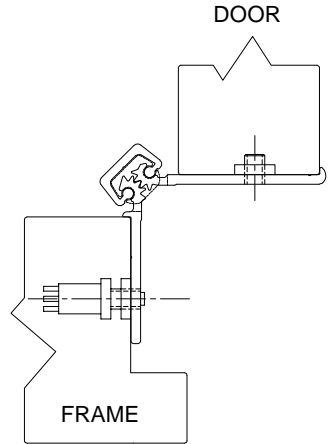
- NOTES:**
1. HINGES CUT TO CUSTOM LENGTH ARE CUT FROM BOTTOM OF HINGE.
 2. SPECIFY HANDING WHEN ORDERING.
 3. IF "M" OPTION (MOVEABLE PANEL) OR "R" OPTION (REMOVABLE PANEL) IS CHOSEN, TEMPLATE REMAINS THE SAME.



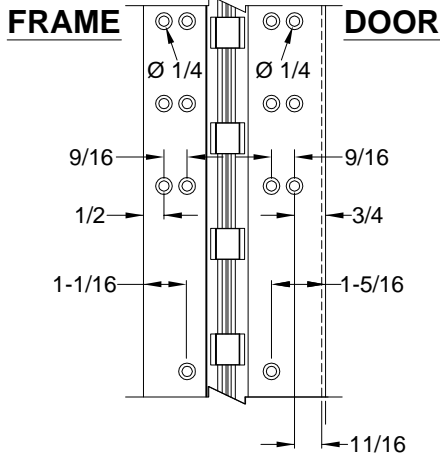
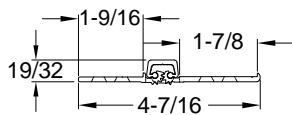
90° OPENING



EXPOSED MONITOR SWITCH VIEW, LEFT HAND SHOWN

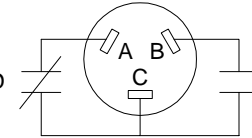


180° OPENING

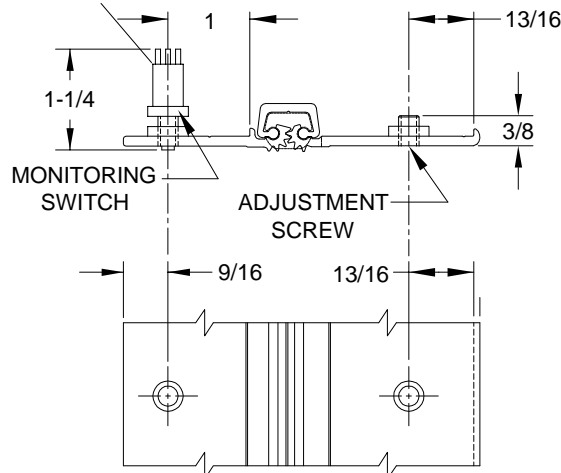


NOTE: 5/8" DIA. HOLE REQUIRED IN JAMB FOR MONITORING SWITCH AND A 7/16" DIA. HOLE FOR CLEARANCE OF ADJUSTMENT SCREW

SWITCH SCHEMATIC



A & C = NORMALLY CLOSED
B & C = NORMALLY OPEN



EXPOSED MONITOR SWITCH VIEW



www.abhmfg.com
E-mail: abhinfo@abhmfg.com
Architectural Builders Hardware Mfg., Inc.
1222 Ardmore Ave., Itasca, IL 60143
630.875.9900; FAX 800.9FAXABH (932.9224)

A140HD-ES OPTION, CONCEALED ELECTRIFICATION-2-02

**A140HD - "ES" OPTION
CONCEALED ELECTRIFICATION**

©2016 ABH Mfg., Inc.
printed in USA

PAGE 2 OF 2
ISSUED 05-02-16