

# CUSTOM "T" STRIKE INTERACTIVE ORDER FORM

ORDER DATE:

CUSTOMER NAME:

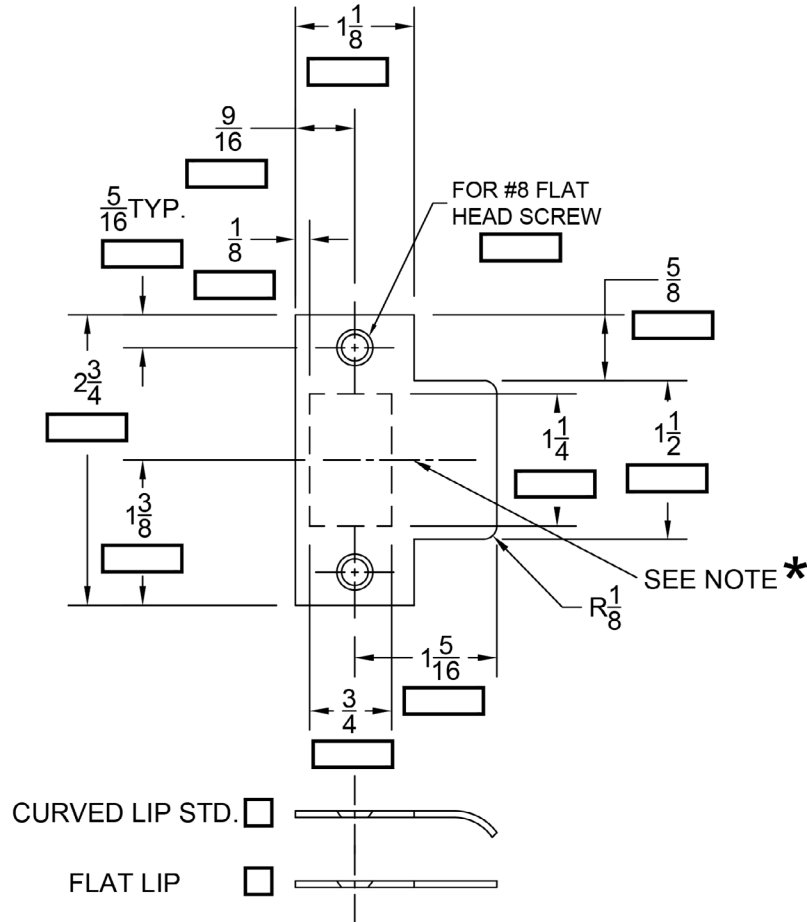
CUSTOMER P.O. NO.:

CUSTOMER SIGNATURE:

QUANTITY:

QTY. LEFT HAND:

QTY RIGHT HAND:



If latch bolt cutout is off the horizontal centerline, the strike is handed handing:    Left                      Right

Finish: US3              US4              US10              US26              US26D              US32D

Other (Specify)



[www.abhmfg.com](http://www.abhmfg.com)  
Architectural Builders Hardware Mfg., Inc.  
1222 Ardmore Ave., Itasca, IL 60143  
630-875-9900 • FAX 800-9FAXABH (932-9224)

Standard Material Thickness 14 GA. (0.074)

= Custom Thickness

= Custom Dimension

- Download File from Website
- Fill out form
- SUBMIT

**ALL CUSTOM STRIKES ARE NON RETURNABLE**