

CUSTOM ASA STRIKE ORDER FORM

CUSTOMER NAME: _____ ORDER DATE: _____

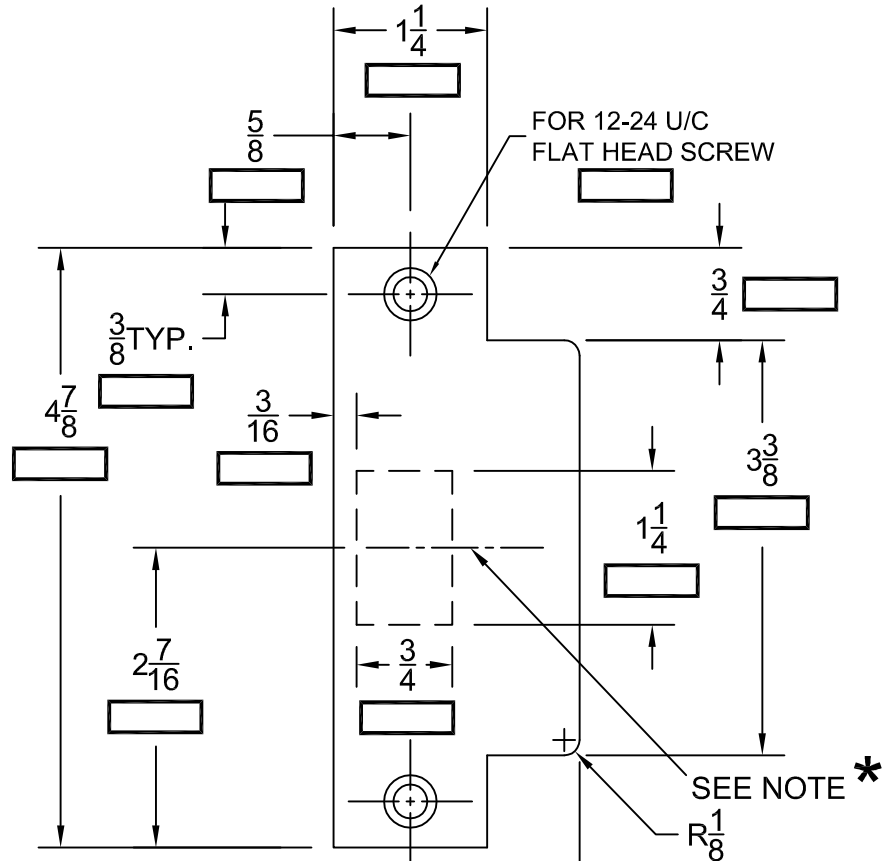
CUSTOMER P.O. No.: _____

ABH SALES ORDER No.: _____

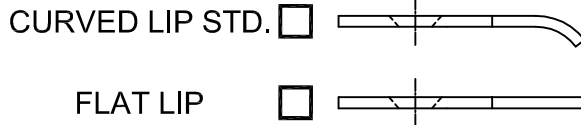
CUSTOMER SIGNATURE: _____ DATE: _____

QUANTITY: _____ QTY. LEFT HAND: _____ QTY. RIGHT HAND: _____

ALL CUSTOM STRIKE ARE NONRETURNABLE



**RIGHT HANDED
STRIKE SHOWN**



STANDARD MATERIAL THICKNESS
14 GA. (0.074)

= CUSTOM THICKNESS

= CUSTOM DIMENSION

* IF LATCH BOLT CUTOUT IS OFF THE HORIZONTAL CENTERLINE THE STRIKE IS HANDED.

HANDING: LEFT RIGHT

FINISH: US10 US10B US32D US4

OTHER SPECIFY _____



® www.abhmfg.com
E-mail: abhinfo@abhmfg.com
Architectural Builders Hardware Mfg., Inc.
1222 Ardmore Ave., Itasca, IL 60143
630.875.9900; FAX 800.9FAXABH (932.9224)

© 2013 ABH Mfg., Inc.
printed in USA

CUSTOM ASA STRIKE ORDER FORM-03.DWG

**CUSTOM ASA STRIKE
ORDER FORM**

REVISED 02-05-13