

# LR6000Q - QUIET (CYLINDRICAL LATCH) INSTALLATION INSTRUCTIONS

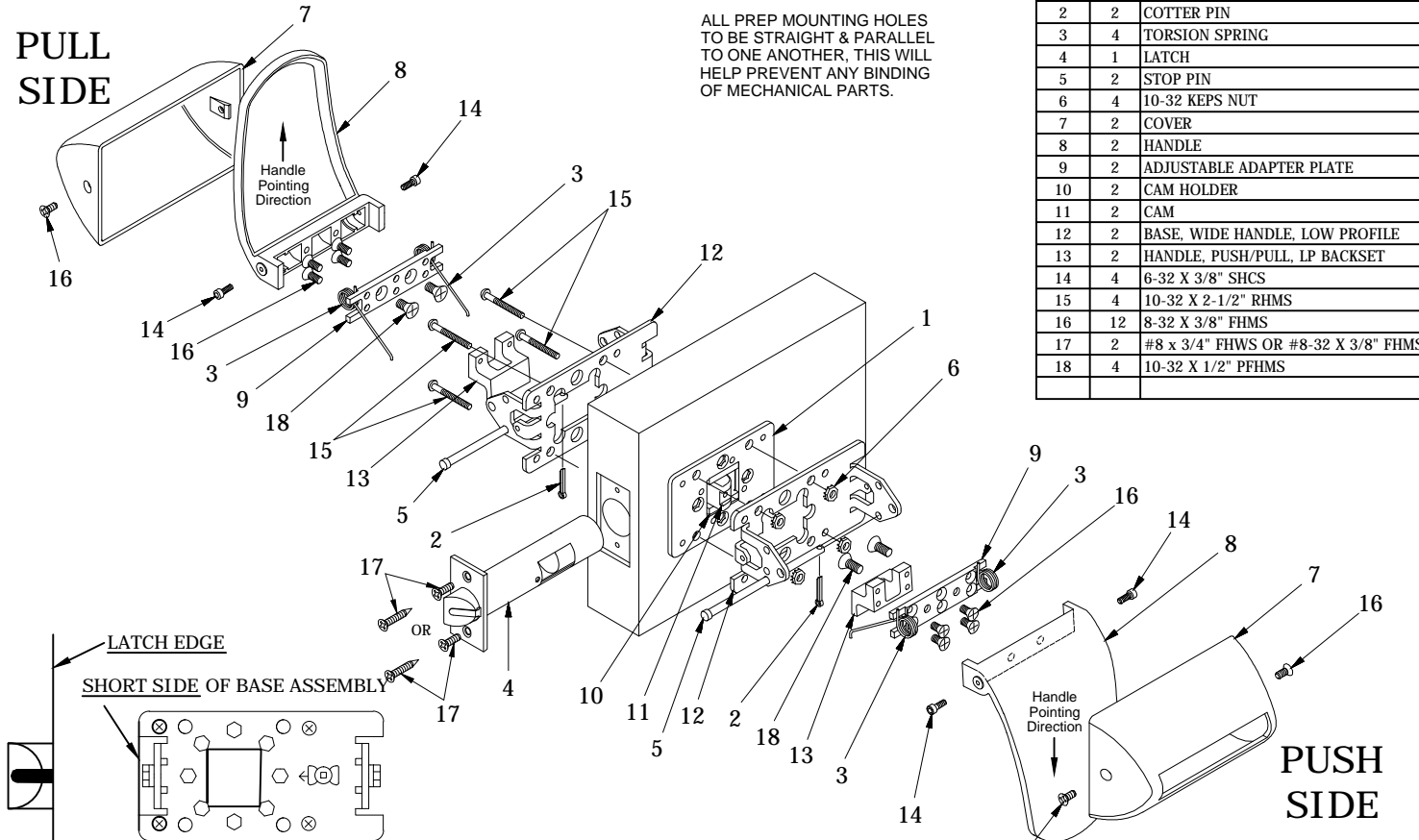
## NOTES

1. TRIM CAN BE MOUNTED UP, DOWN, VERTICALLY. \*\*
2. USES STANDARD 161 DOOR PREP.
3. VISION LITE MUST BE AT LEAST 6" FROM CENTERLINE OF TRIM.

ALL PREP MOUNTING HOLES TO BE STRAIGHT & PARALLEL TO ONE ANOTHER, THIS WILL HELP PREVENT ANY BINDING OF MECHANICAL PARTS.

PARTS LIST		
ITEM	QTY	DESCRIPTION
1	2	ADAPTER PLATE
2	2	COTTER PIN
3	4	TORSION SPRING
4	1	LATCH
5	2	STOP PIN
6	4	10-32 KEPS NUT
7	2	COVER
8	2	HANDLE
9	2	ADJUSTABLE ADAPTER PLATE
10	2	CAM HOLDER
11	2	CAM
12	2	BASE, WIDE HANDLE, LOW PROFILE
13	2	HANDLE, PUSH/PULL, LP BACKSET
14	4	6-32 X 3/8" SHCS
15	4	10-32 X 2-1/2" RHMS
16	12	8-32 X 3/8" FHMS
17	2	#8 x 3/4" FHWS OR #8-32 X 3/8" FHMS
18	4	10-32 X 1/2" PFHMS

PULL SIDE



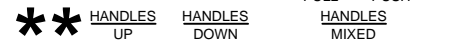
PUSH SIDE

NOTE:  
SHORT SIDE OF BOTH PUSH & PULL BASE ASSEMBLIES MUST BE INSTALLED AS SHOWN, (SHORT SIDE TOWARD LATCH EDGE).

## INSTALLATION INSTRUCTIONS:

Base assemblies come pre-assembled - above drawing shows blown up view for reference.

1. Prep door according to LR6000Q Series latch template.
2. Install latch using either #8 wood screws or 8-32 machine screws (Item 17).
3. Unscrew the (4) 10-32 screws (Item 15) that are fastened with Keps Nuts (Item 6) on the pre-assembled pull side trim and set aside. Locate and install pull base assembly on pull side of door with **SHORT SIDE** toward the lock edge of the door as shown above.
4. Install the push base assembly onto the push side of the door by inserting the (4) 10-32 screws (Item 15) thru the pull base assembly. Fasten with the Keps Nuts (Item 6) on the push side of the door.
5. Install the push handle assembly (Item 8) to the base assembly installed on push side of door using (2) socket head cap screws (Item 14). Install (1) stop pin (Item 5) through the push base assembly on the the same side of the direction the push handle is pointing. Test push handle for proper operation to be sure stop pin was installed in appropriate base assembly hole. Install cotter pin (Item 2)
6. Place covers (Item 7) over handles and fasten each cover with (2) 8-32 screws (Item 16).



PATENT PENDING

LR6000Q-1-04.DWG

**ABH**  
MANUFACTURING INC.

www.abhmfg.com  
E-mail: abhinfo@abhmfg.com  
Architectural Builders Hardware Mfg., Inc.  
1222 Ardmore Ave., Itasca, IL 60143  
630.875.9900; FAX 800.9FAXABH (932.9224)

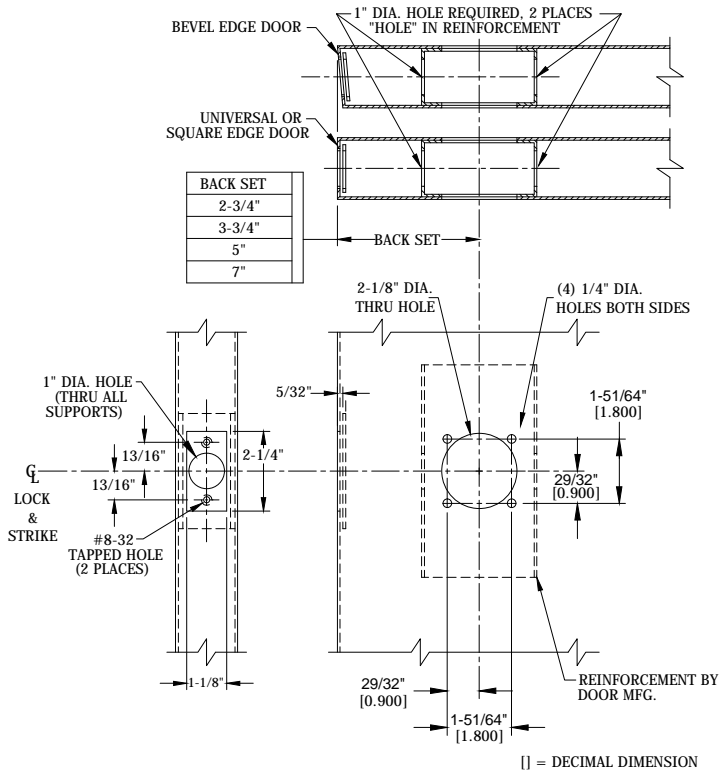
© 2018 ABH Mfg., Inc.  
printed in USA

**LR6000Q**

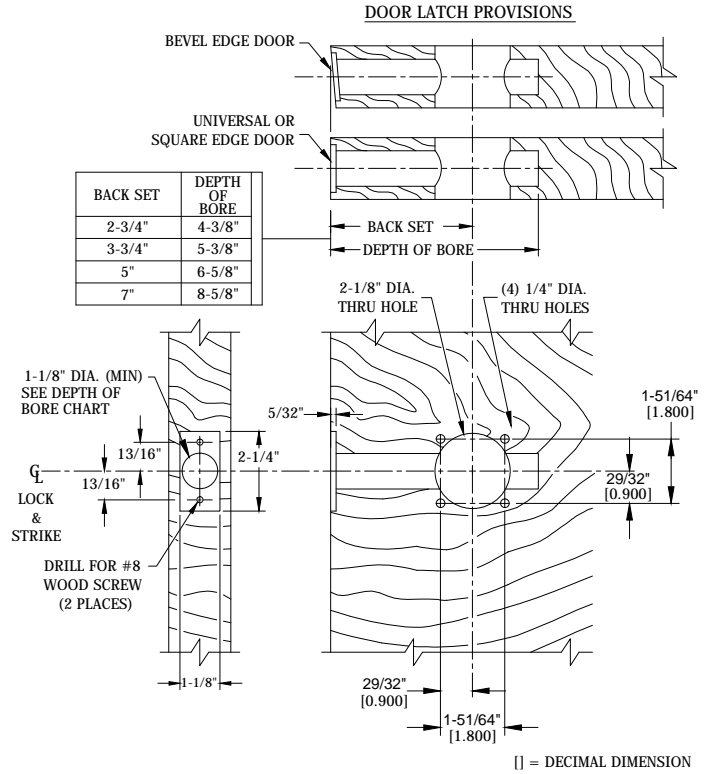
PAGE 1 OF 4

REVISED 11-02-18

# LR6000 PUSH/PULL LATCH - DOOR PREP



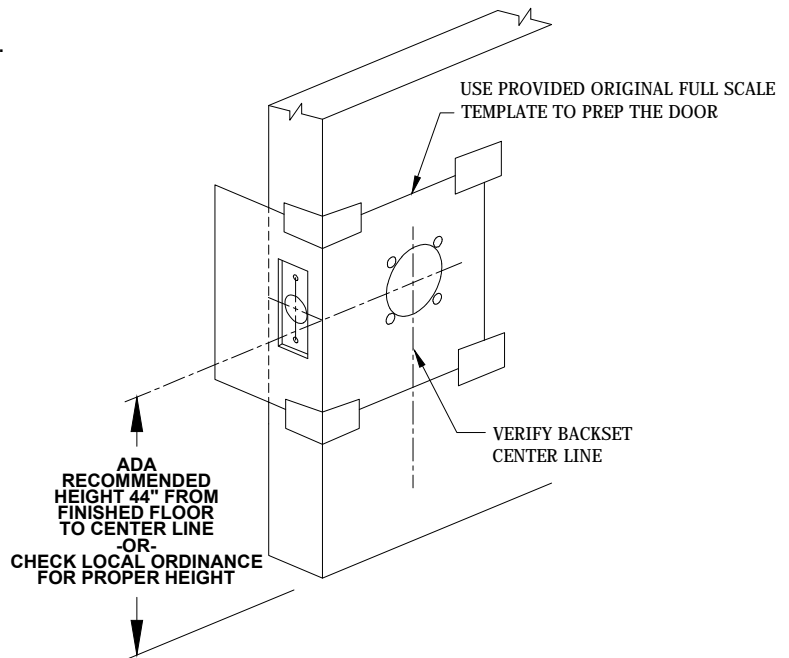
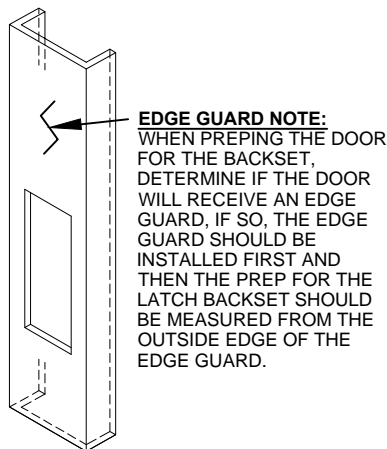
## METAL DOOR



## WOOD DOOR

### DOOR PREP INFORMATION:

1. BACKSET DIMENSION FROM LOW EDGE OF BEVEL.
2. CENTER PUNCH ALL HOLES.
3. DRILL HOLES (FOR HOLLOW METAL DOORS, DO NOT DRILL THRU. CENTER PUNCH & DRILL HOLES FROM BOTH SIDES OF DOOR).



LR6000Q-2-04.DWG

**ABH**  
MANUFACTURING INC.

www.abhmfg.com  
E-mail: abhinfo@abhmfg.com  
Architectural Builders Hardware Mfg., Inc.  
1222 Ardmore Ave., Itasca, IL 60143  
630.875.9900; FAX 800.9FAXABH (932.9224)

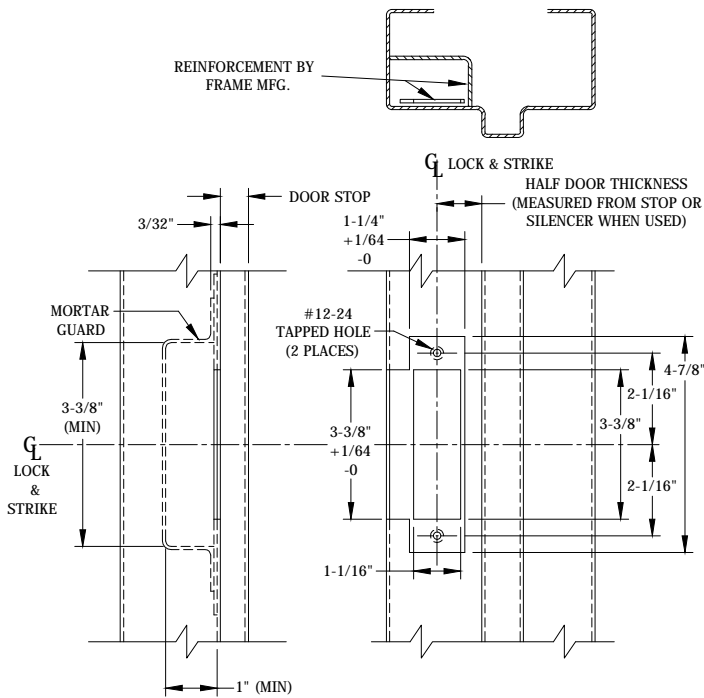
© 2018 ABH Mfg., Inc.  
printed in USA

**LR6000Q**

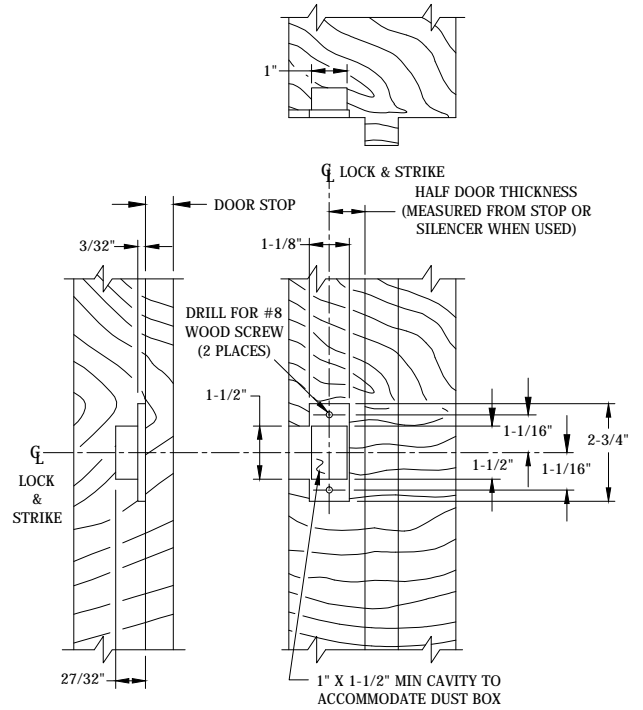
PAGE 2 OF 4

REVISED 11-02-18

# LR6000Q PUSH/PULL LATCH - FRAME PREP



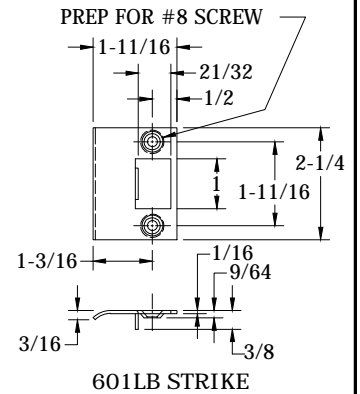
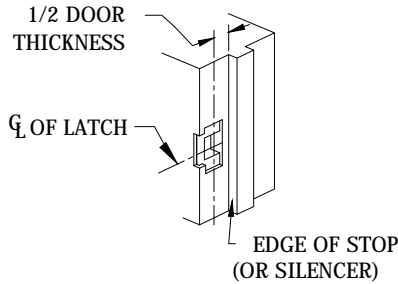
**METAL FRAME**  
(ASA STRIKE SHOWN FOR EXAMPLE)



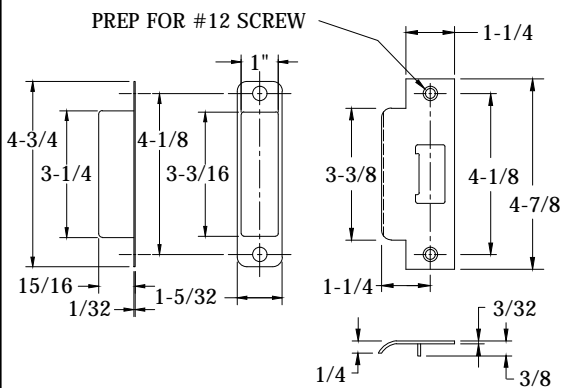
**WOOD FRAME**  
("T" STRIKE SHOWN FOR EXAMPLE)

## FRAME PREP

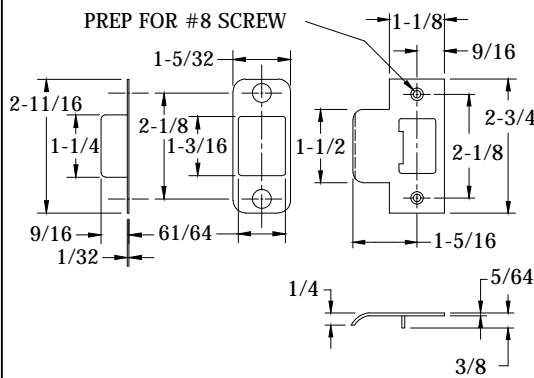
1. Mark centerline of latch bolt on frame.
2. Center strike and mark screw positions.
3. Mortise to required strike and box depth.
4. All dimensions in inches.



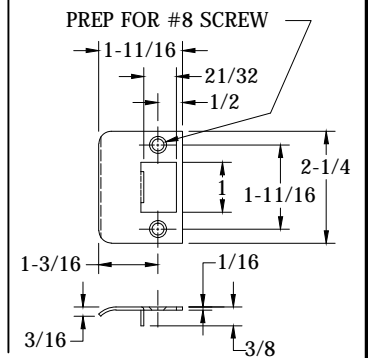
601LB STRIKE



ASA STRIKE & DUST BOX



"T" STRIKE & DUST BOX



"D" STRIKE

LR6000Q-3-04.DWG



www.abhmfg.com  
E-mail: abhinfo@abhmfg.com  
Architectural Builders Hardware Mfg., Inc.  
1222 Ardmore Ave., Itasca, IL 60143  
630.875.9900; FAX 800.9FAXABH (932.9224)

© 2018 ABH Mfg., Inc.  
printed in USA

**LR6000Q**

PAGE 3 OF 4

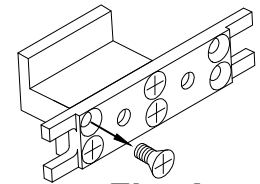
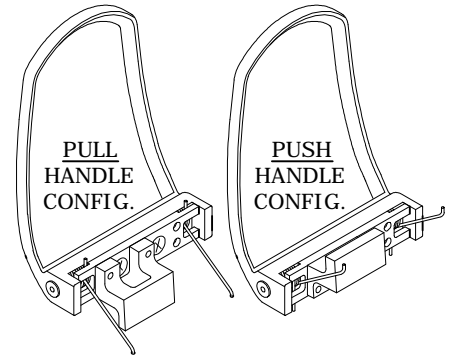
REVISED 11-02-18

# LR6000Q PUSH/PULL LATCH - HANDING CHANGE

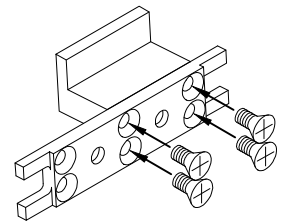
REFERENCE PAGE 1 FOR PARTS LIST & EXPLODED VIEW

## PULL SIDE HANDLE

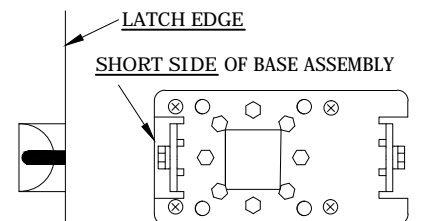
1. Remove cover (Item 7) by unscrewing the (2) 8-32x3/8" (Item 16) screws.
2. Remove cotter pin (Item 2) from stop pin (Item 5).
3. Remove stop pin (Item 5).  
(Note its location on the handle/base assembly)
4. Remove socket head cap screw (Item 14) from one side of the handle (Item 8).
5. Remove the (2) 10-32x1/2" Phillips flat head screws (item 18) from the adjustable adapter plate (Item 9).  
(Note the springs (location on the handle).
6. Remove the (4) 8-32x3/8" Phillips flat head screws (Item 16) that hold the LP bracket (Item 13) to the adjustable adapter plate (item 9) see Fig. A.
7. Slide the LP Backset (Item 13) over to the other side of the adjustable adapter plate (item 9) and reassemble with the same screws see Fig. B.  
(Keep the LP Backset orientation the same)
8. Repeat the same process 1 thru 6 for the PUSH SIDE HANDLE.
9. Remove the (4) 10-32x2-1/2" RHMS (Item 15) that hold base assembly/adapter plate (Item 12&1) to the door.  
(Note the orientation of the base assembly on the door this will go back on the same way it came off see Fig. C)
10. Remove the (2) #8 screws (Item 17) that hold the latch (Item 4).
11. Rotate the latch (item 4) 180° and return the (2) #8 screws (item 17). (Flip the handles & base assemblies to there perspective sides, keeping the SHORT SIDE of both PULL & PUSH base assemblies toward LATCH EDGE of the door, see Fig. C).
12. Reinstall the (4) 10-32x2-1/2" RHMS (item 15) that hold base/adapter assemblies (Item 12&1) to the door.
13. Reinstall the Pull Handle (item 8) using the socket head cap screw (Item 14) that was removed.  
(Make sure both springs are pointing in the proper direction on the base assembly).
14. Reinstall the stop pin (Item 5) in its proper location on the base assembly (Item 12) with the cotter pin (Item 2).
15. Reinstall the Push Handle (item 8) using the socket head cap screw (item 14) that was removed.  
(Make sure both springs are pointing in the proper direction on the base assembly).
16. Reinstall the stop pin (Item 5) in its proper location on the base assembly (Item 12) with the cotter pin (item 2).
17. Reinstall cover (Item 7) by using the (2) 8-32x3/8" (Item 16) screws.



**Fig. A**



**Fig. B**



**NOTE:**  
SHORT SIDE OF BOTH PUSH & PULL BASE ASSEMBLIES MUST BE INSTALLED AS SHOWN, (SHORT SIDE TOWARD LATCH EDGE).

**Fig. C**