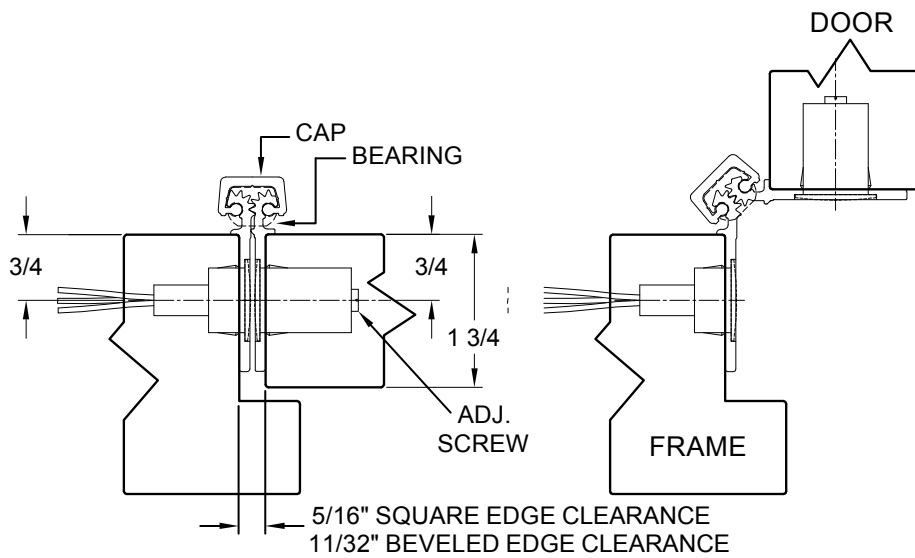
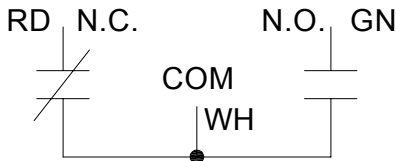
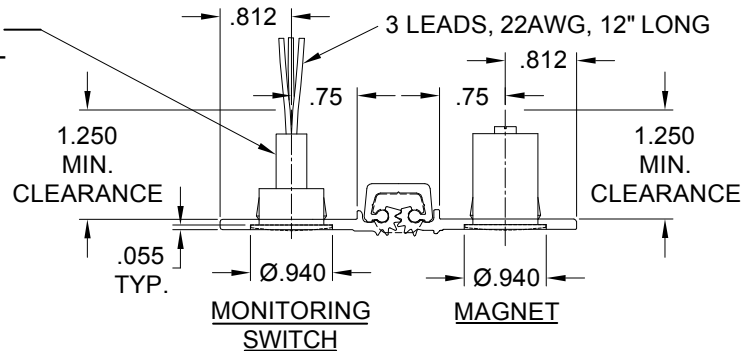


# ES-EXPOSED MAGNETIC MONITOR SWITCH



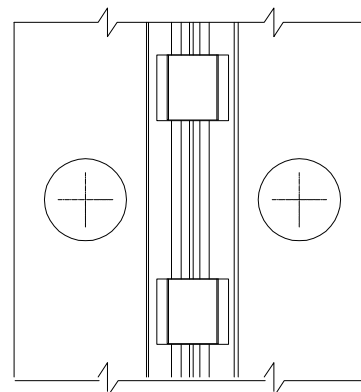
A110ES SHOWN FOR EXAMPLE

NOTE: 7/8" DIA. MIN. CLEARANCE HOLE REQUIRED IN DOOR & FRAME FOR MONITORING SWITCH AND MAGNET



SWITCH SCHEMATIC

ELECTRICAL CONFIG.: SPDT  
 MAX. INITIAL CONTACT RESISTANCE: 0.140 OHM  
 MAX. CONTACT RATING: 5 WATT  
 MAX. SWITCHING VOLTAGE: 175 VDC  
 MAX. SWITCHING CURRENT: 0.25 AMP



EXPOSED MAGNETIC MONITOR SWITCH VIEW

TM-ES-00.DWG



® [www.abhmfg.com](http://www.abhmfg.com)  
 E-mail: [abhinfo@abhmfg.com](mailto:abhinfo@abhmfg.com)  
 Architectural Builders Hardware Mfg., Inc.  
 1222 Ardmore Ave., Itasca, IL 60143  
 630.875.9900; FAX 800.9FAXABH (932.9224)

ES-EXPOSED MAGNETIC MONITOR SWITCH

© 2015 ABH Mfg., Inc.  
 printed in USA

ISSUED 08-12-15