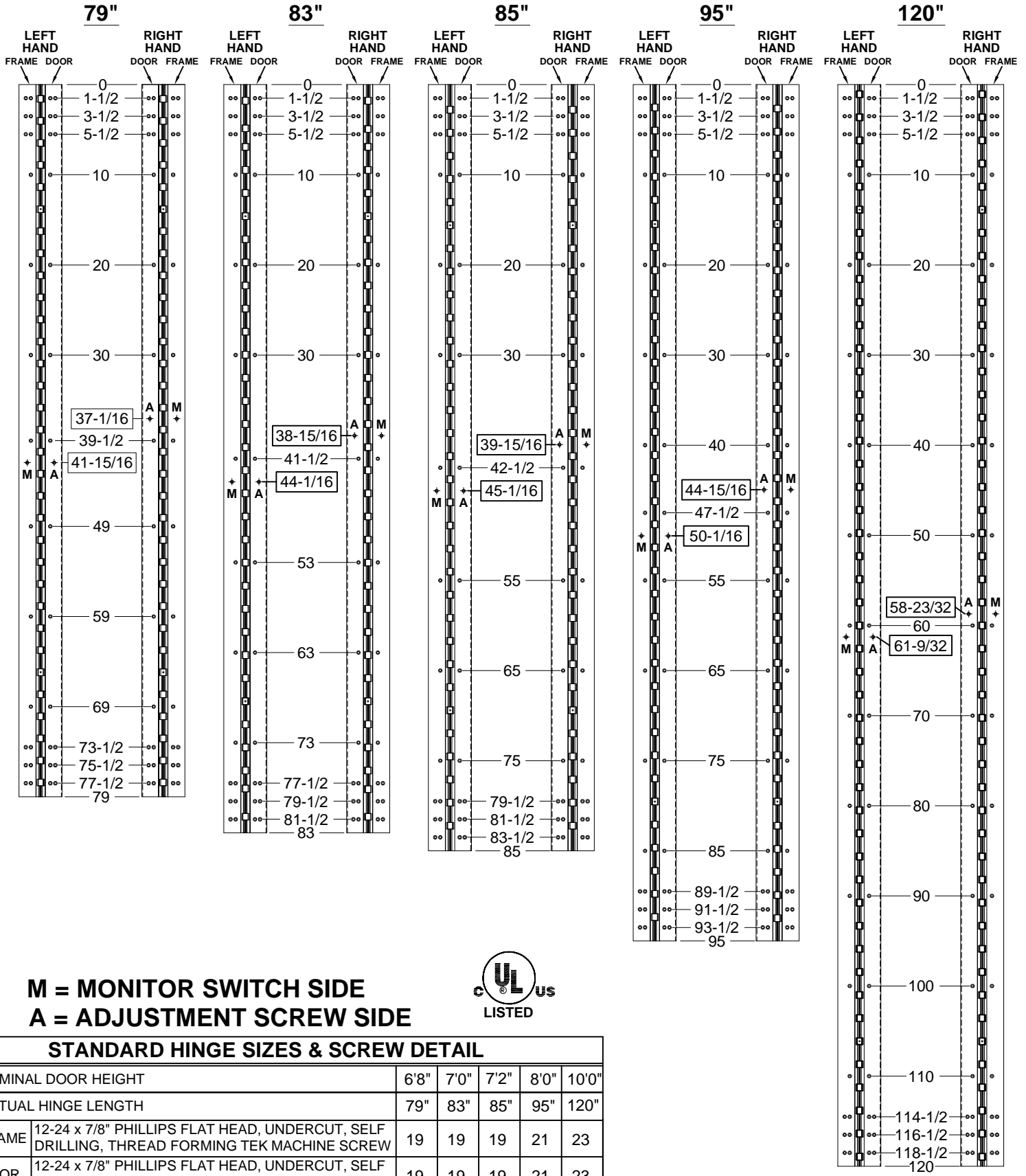


**A240HD - "ES" OPTION, CONCEALED ELECTRIFICATION, FULL CONCEALED,
ALUMINUM GEARED HINGE**

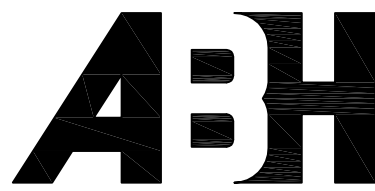


M = MONITOR SWITCH SIDE
A = ADJUSTMENT SCREW SIDE



STANDARD HINGE SIZES & SCREW DETAIL

NOMINAL DOOR HEIGHT	6'8"	7'0"	7'2"	8'0"	10'0"
ACTUAL HINGE LENGTH	79"	83"	85"	95"	120"
FRAME	12-24 x 7/8" PHILLIPS FLAT HEAD, UNDERCUT, SELF DRILLING, THREAD FORMING TEK MACHINE SCREW				
DOOR	12-24 x 7/8" PHILLIPS FLAT HEAD, UNDERCUT, SELF DRILLING, THREAD FORMING TEK MACHINE SCREW				
	19	19	19	21	23



® www.abhmfg.com
E-mail: abhinfo@abhmfg.com
Architectural Builders Hardware Mfg., Inc.
1222 Ardmore Ave., Itasca, IL 60143
630.875.9900; FAX 800.9FAXABH (932.9224)

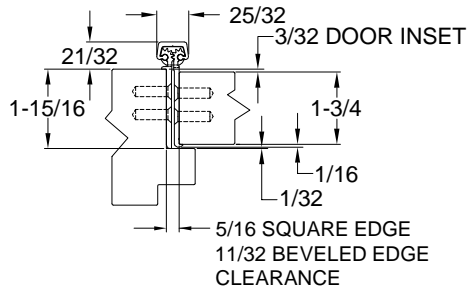
A240HD-ES OPTION, CONCEALED ELECTRIFICATION-1-01

**A240HD - "ES" OPTION
CONCEALED ELECTRIFICATION**

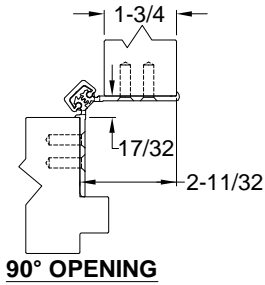
©2016 ABH Mfg., Inc.
printed in USA

PAGE 1 OF 2
ISSUED 04-14-16

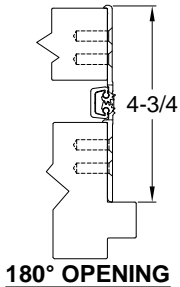
**A240HD - "ES" OPTION, CONCEALED ELECTRIFICATION, FULL CONCEALED,
ALUMINUM GEARED HINGE**



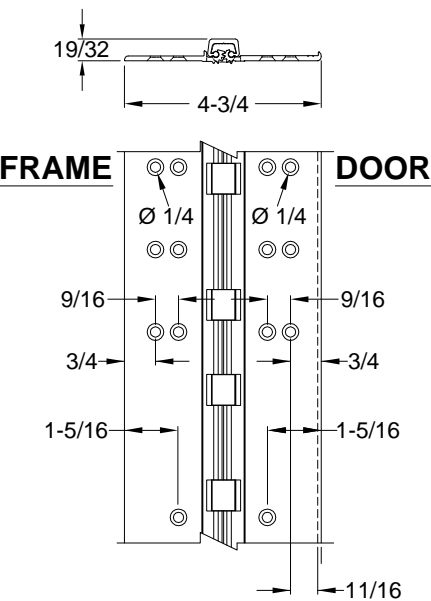
CLOSED POSITION



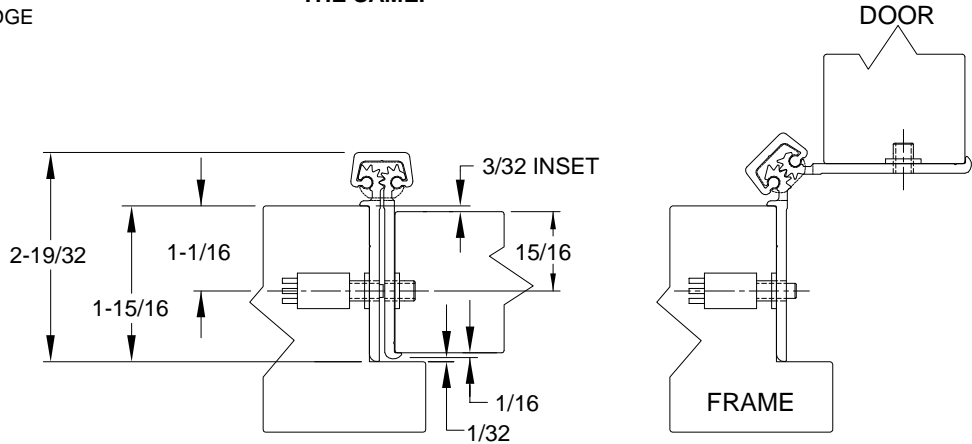
90° OPENING



180° OPENING



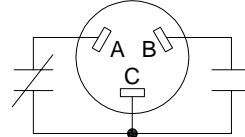
- NOTES:**
1. HINGES CUT TO CUSTOM LENGTH ARE CUT FROM BOTTOM OF HINGE.
 2. SPECIFY HANDING WHEN ORDERING.
 3. IF "M" OPTION (MOVEABLE PANEL) OR "R" OPTION (REMOVABLE PANEL) IS CHOSEN, TEMPLATE REMAINS THE SAME.



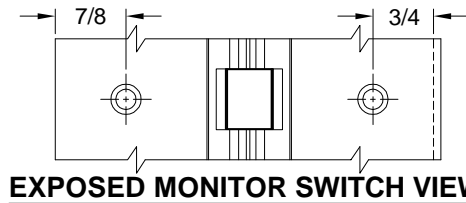
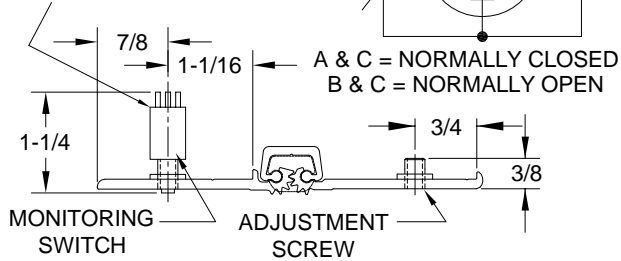
EXPOSED MONITOR SWITCH VIEW

NOTE: 5/8" DIA. HOLE REQUIRED IN JAMB FOR MONITORING SWITCH AND A 7/16" DIA. HOLE FOR CLEARANCE OF ADJUSTMENT SCREW

SWITCH SCHEMATIC



A & C = NORMALLY CLOSED
B & C = NORMALLY OPEN



EXPOSED MONITOR SWITCH VIEW



www.abhmfg.com
E-mail: abhinfo@abhmfg.com
Architectural Builders Hardware Mfg., Inc.
1222 Ardmore Ave., Itasca, IL 60143
630.875.9900; FAX 800.9FAXABH (932.9224)

A240HD-ES OPTION, CONCEALED ELECTRIFICATION-2-01

**A240HD - "ES" OPTION
CONCEALED ELECTRIFICATION**

©2016 ABH Mfg., Inc.
printed in USA

PAGE 2 OF 2
ISSUED 04-14-16