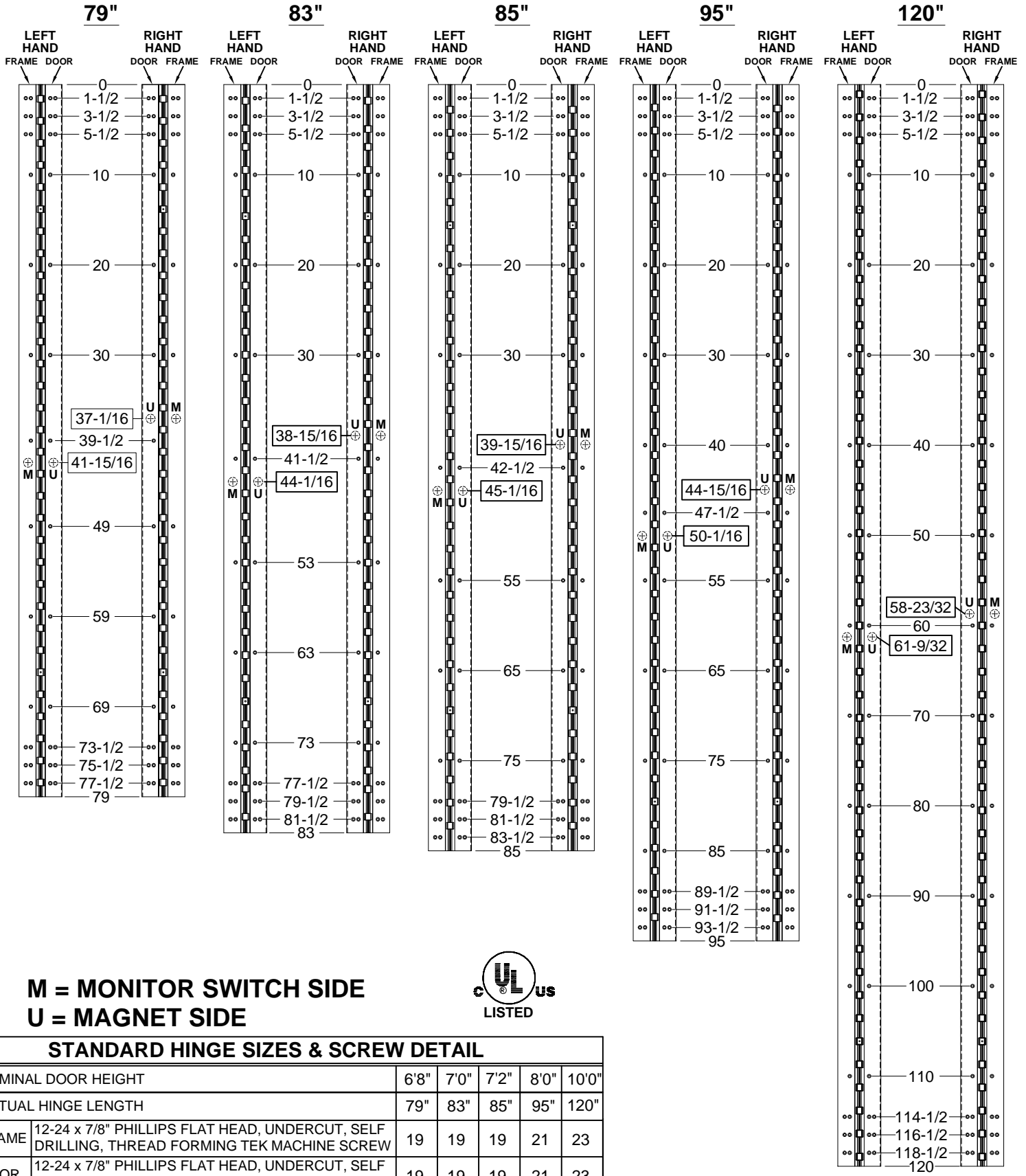


**A240HD - "EM" OPTION, CONCEALED ELECTRIFICATION, FULL CONCEALED,  
ALUMINUM GEARED HINGE**



A240HD-EM OPTION, CONCEALED ELECTRIFICATION-1-01



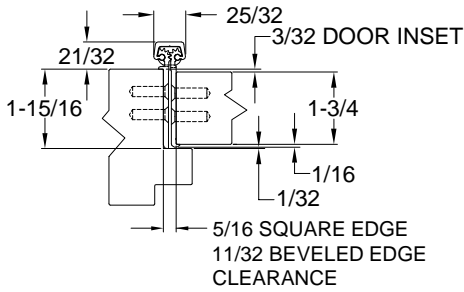
® [www.abhmfg.com](http://www.abhmfg.com)  
E-mail: [abhinfo@abhmfg.com](mailto:abhinfo@abhmfg.com)  
Architectural Builders Hardware Mfg., Inc.  
1222 Ardmore Ave., Itasca, IL 60143  
630.875.9900; FAX 800.9FAXABH (932.9224)

**A240HD - "EM" OPTION**  
**CONCEALED ELECTRIFICATION**

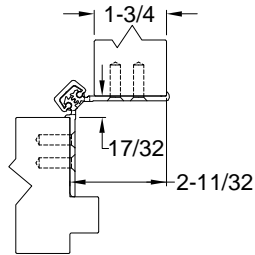
©2016 ABH Mfg., Inc.  
printed in USA

PAGE 1 OF 2  
ISSUED 04-14-16

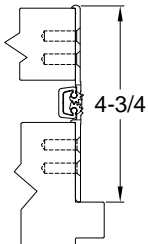
**A240HD - "EM" OPTION, CONCEALED ELECTRIFICATION, FULL CONCEALED,  
ALUMINUM GEARED HINGE**



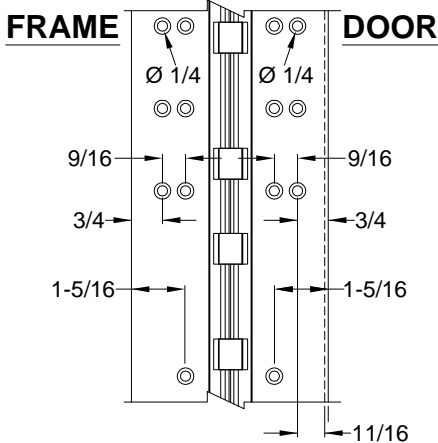
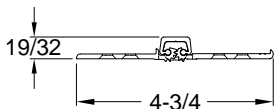
**CLOSED POSITION**



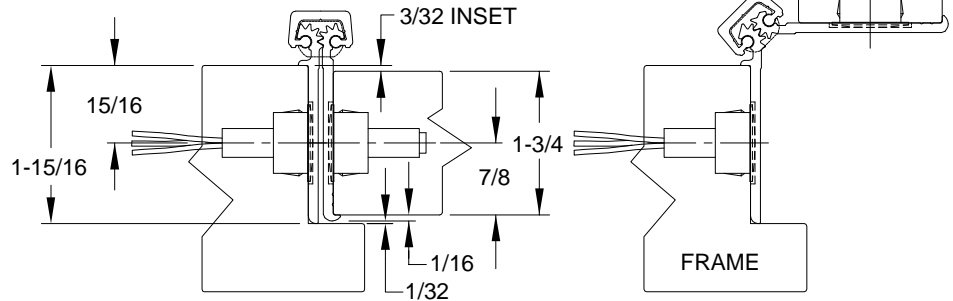
**90° OPENING**



**180° OPENING**



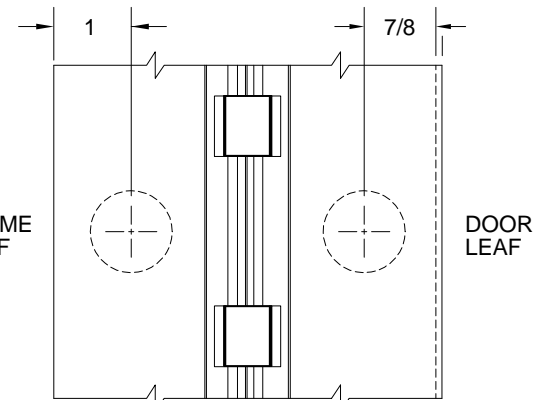
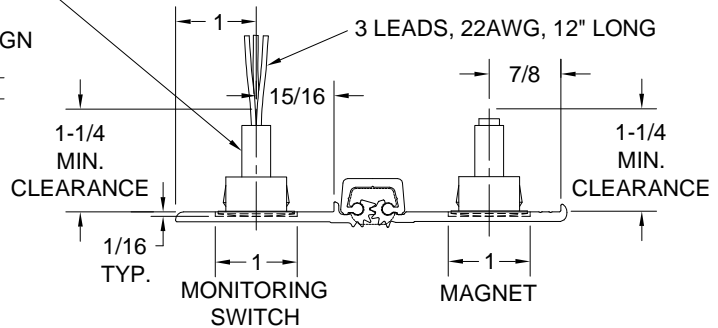
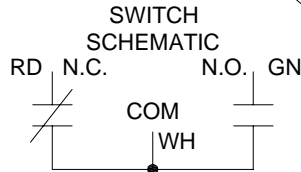
- NOTES:**
1. HINGES CUT TO CUSTOM LENGTH ARE CUT FROM BOTTOM OF HINGE.
  2. SPECIFY HANDING WHEN ORDERING.
  3. IF "M" OPTION (MOVEABLE PANEL) OR "R" OPTION (REMOVABLE PANEL) IS CHOSEN, TEMPLATE REMAINS THE SAME.



**MAGNETIC MONITOR SWITCH VIEW,  
LEFT HAND SHOWN**

NOTE: 7/8" DIA. MIN. CLEARANCE HOLE REQUIRED IN DOOR & FRAME FOR MONITORING SWITCH AND MAGNET

ELECTRICAL CONFIG.: SPDT  
 MAX. INITIAL CONTACT RESISTANCE : 0.140 OHM  
 MAX. CONTACT RATING: 5 WATT  
 MAX. SWITCHING VOLTAGE: 175 VDC  
 MAX. SWITCHING CURRENT: 0.25 AMP



**EXPOSED MONITOR SWITCH VIEW**



www.abhmfg.com  
 E-mail: abhinfo@abhmfg.com  
 Architectural Builders Hardware Mfg., Inc.  
 1222 Ardmore Ave., Itasca, IL 60143  
 630.875.9900; FAX 800.9FAXABH (932.9224)

A240HD-EM OPTION, CONCEALED ELECTRIFICATION-2-01

**A240HD - "EM" OPTION  
 CONCEALED ELECTRIFICATION**

©2016 ABH Mfg., Inc.  
 printed in USA

PAGE 2 OF 2  
 ISSUED 04-14-16