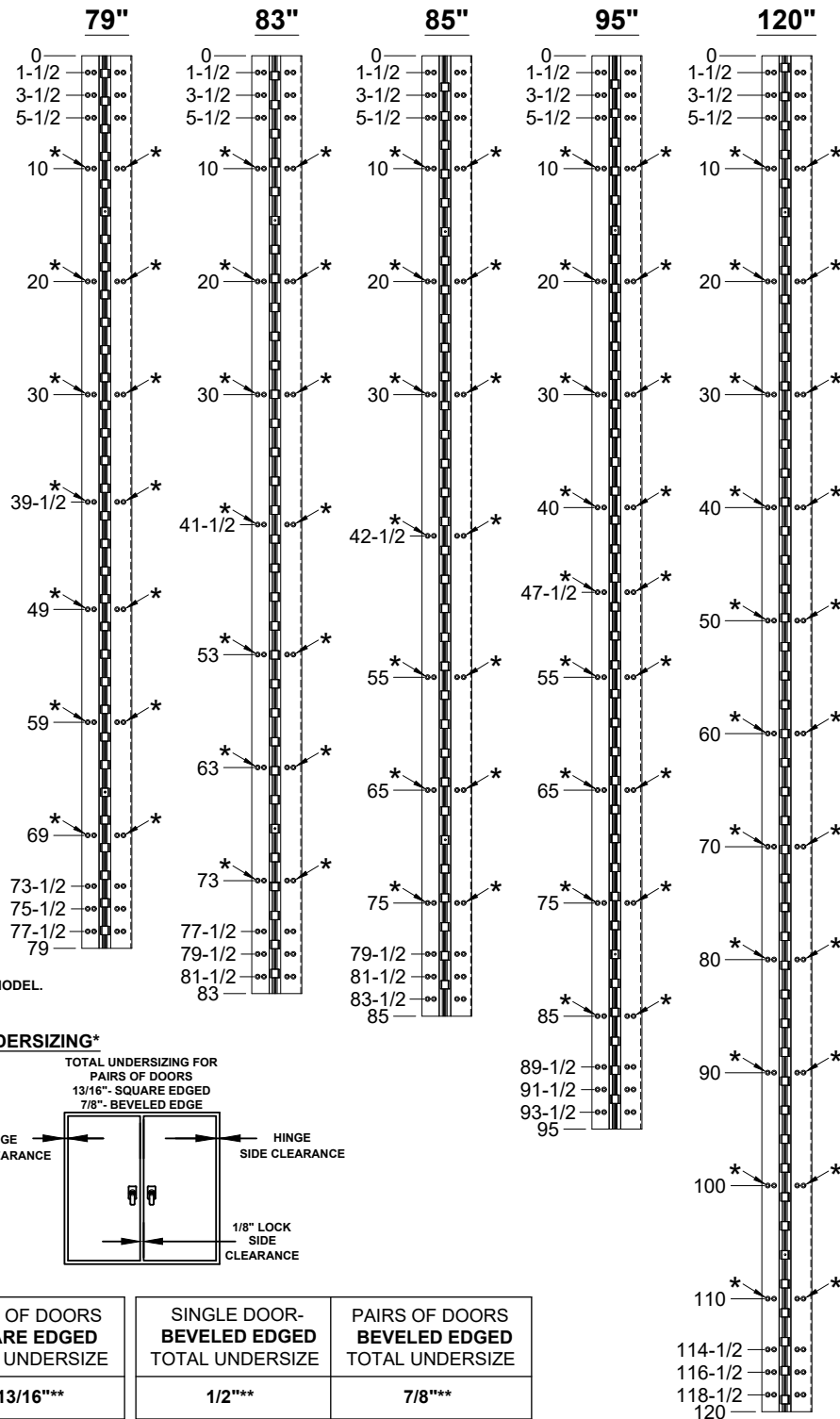
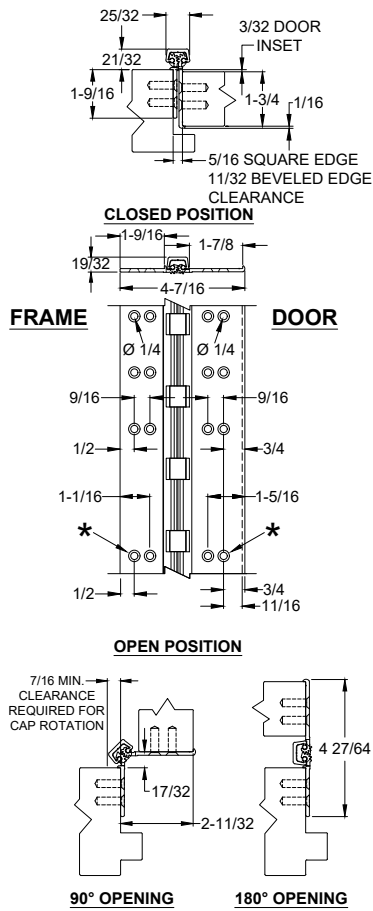
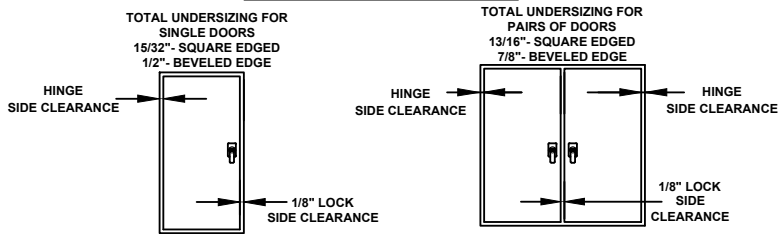


A140HD / A140LL - ALUMINUM GEARED HINGE, 3/32" INSET, FULL CONCEALED



- NOTES:**
 1. HINGES CUT TO CUSTOM LENGTH ARE CUT FROM THE BOTTOM. PLEASE SPECIFY HANDING.
 2. ALL DIMENSIONS ARE IN INCHES.
 3. ALL DIMENSIONS ARE TO CENTERLINE OF HOLES.
 4. * = DENOTES EXTRA MOUNTING HOLE FOR THE LEAD-LINE MODEL.

TOTAL DOOR UNDERSIZING*



HINGE MODEL	SINGLE DOOR-SQUARE EDGED TOTAL UNDERSIZE	PAIRS OF DOORS SQUARE EDGED TOTAL UNDERSIZE	SINGLE DOOR- BEVELED EDGED TOTAL UNDERSIZE	PAIRS OF DOORS BEVELED EDGED TOTAL UNDERSIZE
A140	15/32***	13/16***	1/2***	7/8***

*REFER TO WWW.ABHMFG.COM FOR COMPLETE DOOR CLEARANCE CHART
 ** 1/32" FRAME IRREGULARITY INCLUDED(OPTIONAL)- NOT PERMITTED BY NFPA80
 NOTE: BEVELED EDGE CLEARANCE IS TAKEN FORM THE HIGH SIDE OF THE DOOR

STANDARD HINGE SIZES & SCREW DETAIL

NOMINAL DOOR HEIGHT		6'8"		7'0"		7'2"		8'0"		10'0"	
ACTUAL HINGE LENGTH		79"		83"		85"		95"		120"	
		HD	LL	HD	LL	HD	LL	HD	LL	HD	LL
FRAME	12-24 x 3/4" PHILLIPS FLAT HEAD, UNDERCUT, SELF DRILLING, THREAD FORMING TEK MACHINE SCREW	19	26	19	26	19	26	21	30	23	34
DOOR	12-24 X 3/4" PH. F.H. UNDERCUT SELF DRILLING THREAD FORMING TEK SCREW	19	26	19	26	19	26	21	30	23	34



A140-ALUMINUM GEARED HINGE-03.DWG



www.abhmfg.com
 E-mail: abhinfo@abhmfg.com
 Architectural Builders Hardware Mfg., Inc.
 1222 Ardmore Ave., Itasca, IL 60143
 630.875.9900; FAX 800.9FAXABH (932.9224)

A140
ALUMINUM GEARED HINGE

© 2022 ABH Mfg., Inc.
 printed in USA

PAGE 1 OF 1
 REVISED 9-10-20