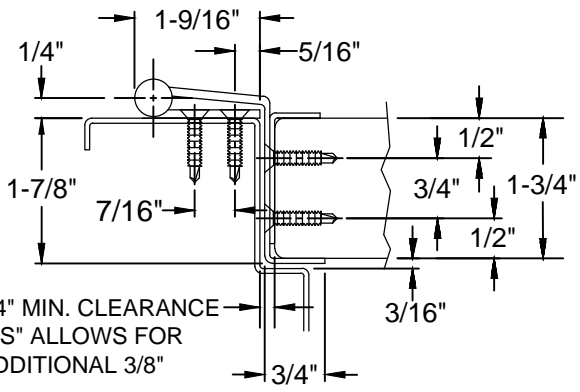
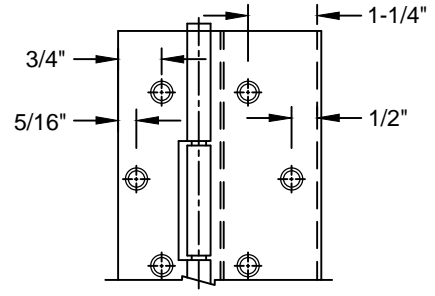
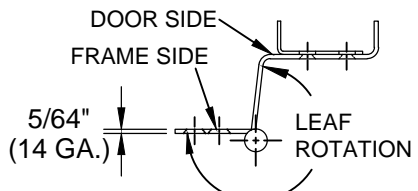
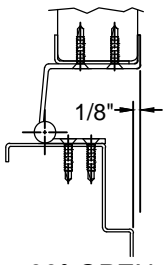


# A510 - STAINLESS STEEL HINGE, SWING CLEAR W/ DUAL EDGE GUARD

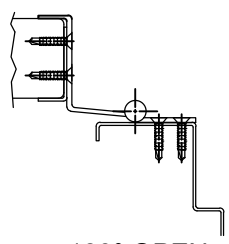


1/4" MIN. CLEARANCE  
"AS" ALLOWS FOR  
ADDITIONAL 3/8"

**CLOSED POSITION**

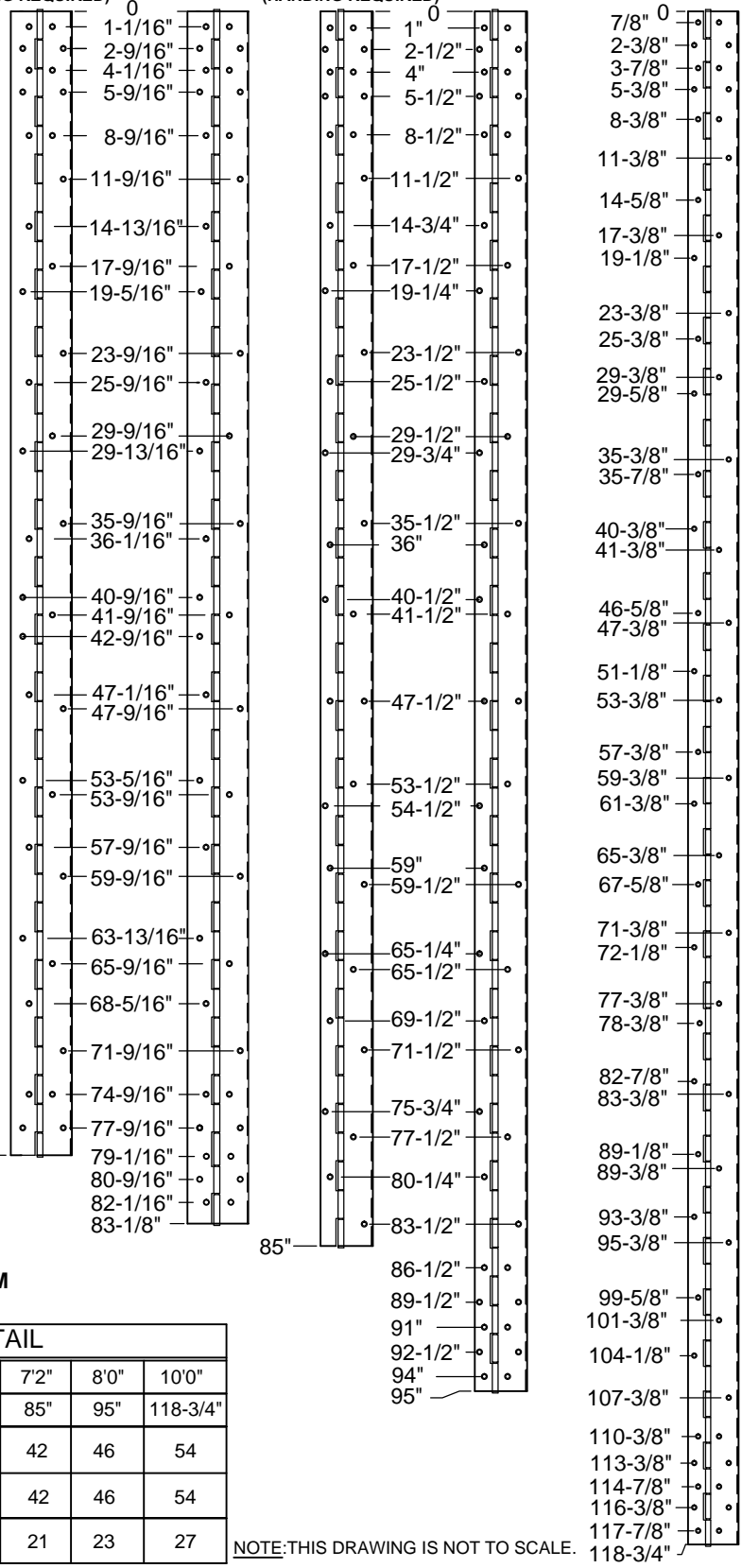


**90° OPEN POSITION**



**180° OPEN POSITION**

**78-3/4"** (HANDING REQUIRED)      **83-1/8"** (HANDING REQUIRED)      **85"** (HANDING REQUIRED)      **95"**      **118-3/4"**



**NOTE : HINGES CUT TO CUSTOM LENGTH ARE CUT FROM BOTTOM - PLEASE SPECIFY HANDING**

STANDARD HINGE SIZES & SCREW DETAIL					
NOMINAL DOOR HEIGHT	6'8"	7'0"	7'2"	8'0"	10'0"
ACTUAL HINGE HEIGHT	78-3/4"	83-1/8"	85"	95"	118-3/4"
10-24 x 7/8" PHILLIPS FLAT HEAD, UNDERCUT, SELF-DRILLING, TEK MACHINE SCREW	42	42	42	46	54
#10 x 1-1/4" PHILLIPS FLAT HEAD, UNDERCUT, SHEET METAL SCREW	42	42	42	46	54
"AS" ADJUSTABLE STUDS & 10-32 x 3/4" PHILLIPS FLAT HEAD, UNDERCUT, MACHINE SCREW (OPTIONAL)	21	21	21	23	27

NOTE: THIS DRAWING IS NOT TO SCALE.



www.abhmfg.com  
E-mail: abhinfo@abhmfg.com  
Architectural Builders Hardware Mfg., Inc.  
1222 Ardmore Ave., Itasca, IL 60143  
630.875.9900; FAX 800.9FAXABH (932.9224)

A510 STAINLESS STEEL HINGE  
PAGE 1 OF 1  
ISSUED 11-14-16  
© 2018 ABH Mfg., Inc. printed in USA