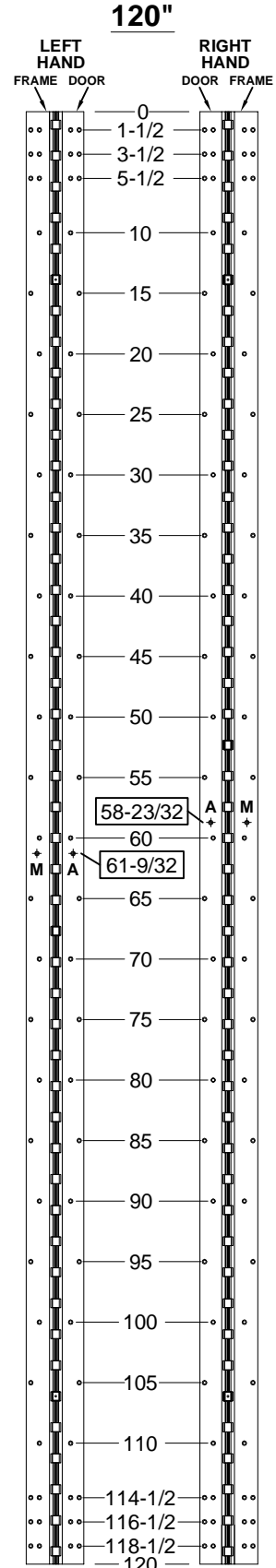
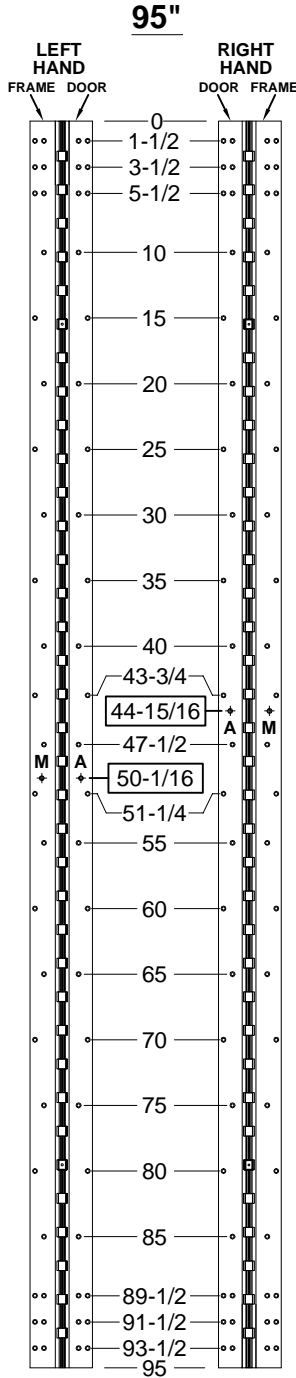
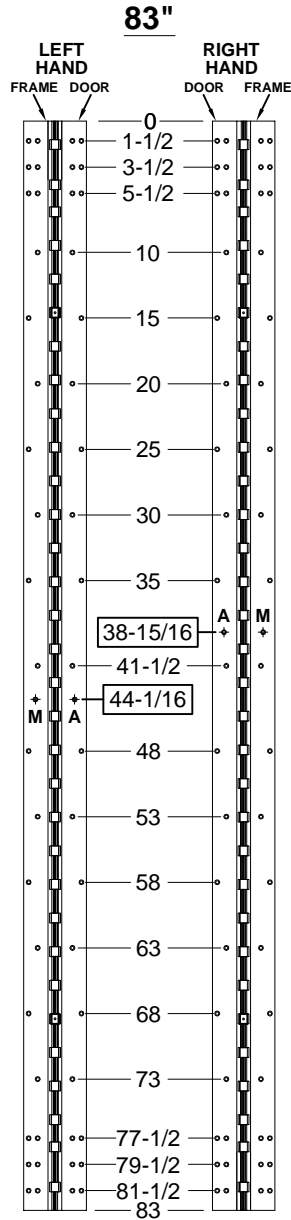


**A270HD - "ES" OPTION, CONCEALED ELECTRIFICATION, FULL CONCEALED,  
ALUMINUM GEARED HINGE**



**M = MONITOR SWITCH SIDE**  
**A = ADJUSTMENT SCREW SIDE**

**STANDARD HINGE SIZES & SCREW DETAIL**

		7'0"	8'0"	10'0"
NOMINAL DOOR HEIGHT		7'0"	8'0"	10'0"
ACTUAL HINGE LENGTH		83"	95"	120"
FRAME	12-24 x 7/8" PHILLIPS FLAT HEAD, UNDERCUT, SELF DRILLING, THREAD FORMING TEK MACHINE SCREW	25	29	33
DOOR	12-24 x 7/8" PHILLIPS FLAT HEAD, UNDERCUT, SELF DRILLING, THREAD FORMING TEK MACHINE SCREW	25	29	33



® [www.abhmfg.com](http://www.abhmfg.com)  
E-mail: [abhinfo@abhmfg.com](mailto:abhinfo@abhmfg.com)  
Architectural Builders Hardware Mfg., Inc.  
1222 Ardmore Ave., Itasca, IL 60143  
630.875.9900; FAX 800.9FAXABH (932.9224)

A270HD-ES OPTION, CONCEALED ELECTRIFICATION-1-00

**A270HD - "ES" OPTION  
CONCEALED ELECTRIFICATION**

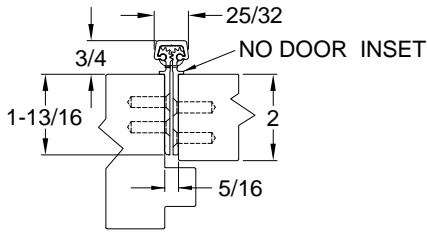
©2016 ABH Mfg., Inc.  
printed in USA

PAGE 1 OF 2  
ISSUED 02-12-16

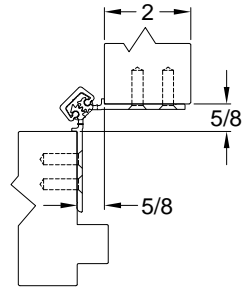
**A270HD - "ES" OPTION, CONCEALED ELECTRIFICATION, FULL CONCEALED,  
ALUMINUM GEARED HINGE**

**NOTES:**

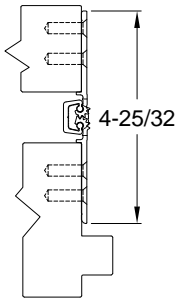
1. HINGES CUT TO CUSTOM LENGTH ARE CUT FROM BOTTOM OF HINGE.
2. SPECIFY HANDING WHEN ORDERING.
3. IF "M" OPTION (MOVEABLE PANEL) OR "R" OPTION (REMOVABLE PANEL) IS CHOSEN, TEMPLATE REMAINS THE SAME.



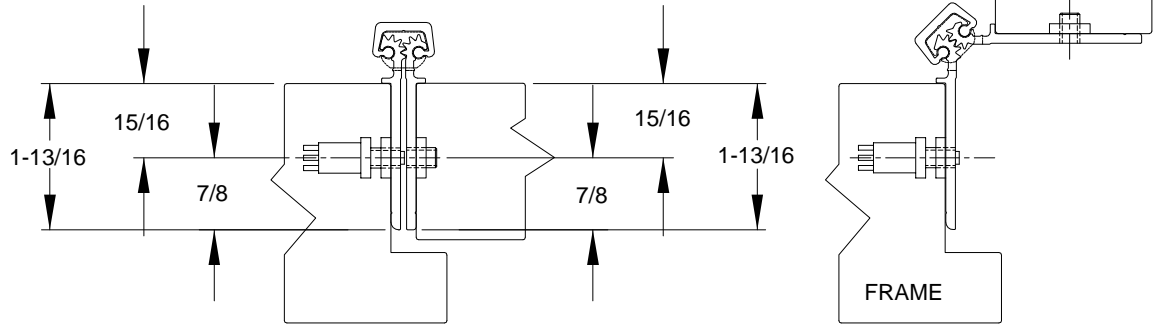
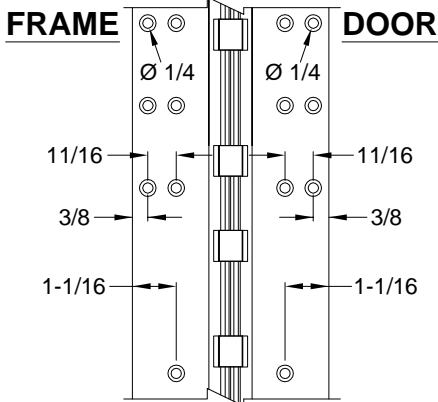
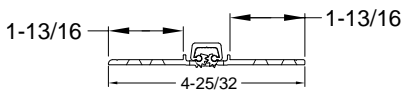
**CLOSED POSITION**



**90° OPENING**

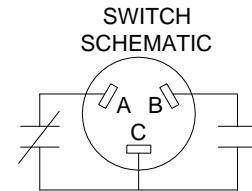


**180° OPENING**

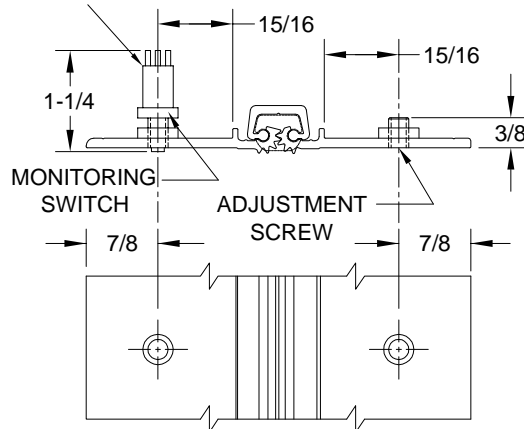


**EXPOSED MONITOR SWITCH VIEW, LEFT HAND SHOWN**

NOTE: 5/8" DIA. HOLE REQUIRED IN JAMB FOR MONITORING SWITCH AND A 7/16" DIA. HOLE FOR CLEARANCE OF ADJUSTMENT SCREW



A & C = NORMALLY CLOSED  
B & C = NORMALLY OPEN



**EXPOSED MONITOR SWITCH VIEW**



www.abhmfg.com  
E-mail: abhinfo@abhmfg.com  
Architectural Builders Hardware Mfg., Inc.  
1222 Ardmore Ave., Itasca, IL 60143  
630.875.9900; FAX 800.9FAXABH (932.9224)

A270HD-ES OPTION, CONCEALED ELECTRIFICATION-2-00

**A270HD - "ES" OPTION  
CONCEALED ELECTRIFICATION**

©2016 ABH Mfg., Inc.  
printed in USA

PAGE 2 OF 2  
ISSUED 02-12-16