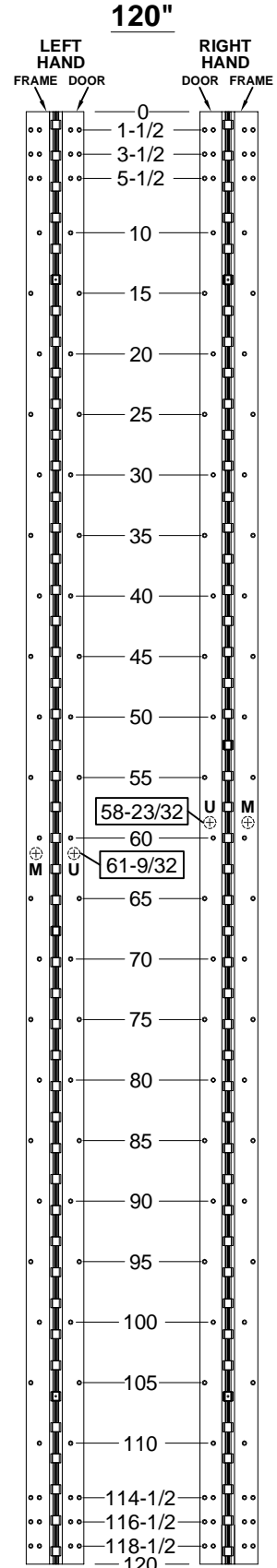
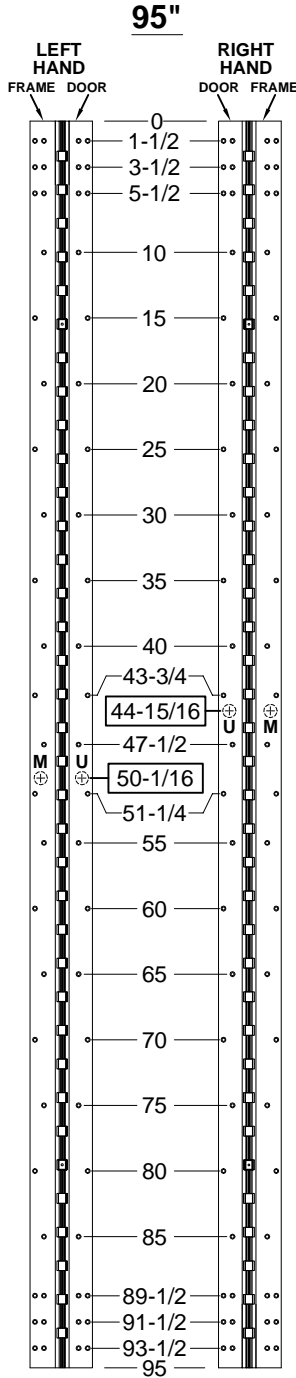
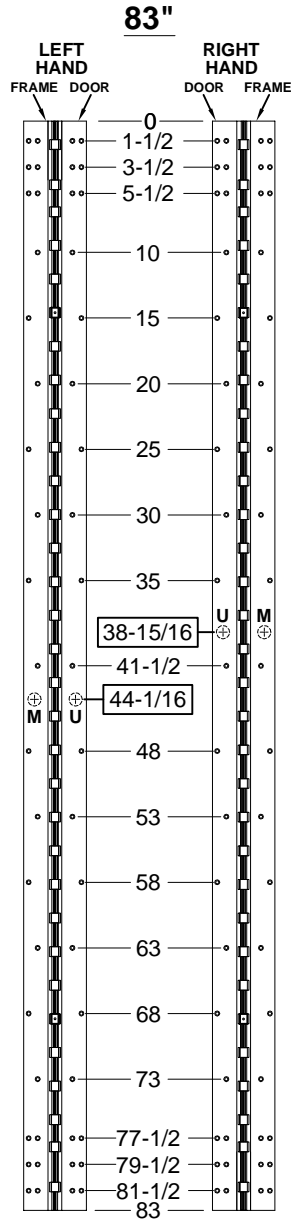


**A270HD - "EM" OPTION, CONCEALED ELECTRIFICATION, FULL CONCEALED,
ALUMINUM GEARED HINGE**



M = MONITOR SWITCH SIDE
U = MAGNET SIDE

STANDARD HINGE SIZES & SCREW DETAIL

		7'0"	8'0"	10'0"
NOMINAL DOOR HEIGHT		7'0"	8'0"	10'0"
ACTUAL HINGE LENGTH		83"	95"	120"
FRAME	12-24 x 7/8" PHILLIPS FLAT HEAD, UNDERCUT, SELF DRILLING, THREAD FORMING TEK MACHINE SCREW	25	29	33
DOOR	12-24 x 7/8" PHILLIPS FLAT HEAD, UNDERCUT, SELF DRILLING, THREAD FORMING TEK MACHINE SCREW	25	29	33

A270HD-EM OPTION, CONCEALED ELECTRIFICATION-1-00



www.abhmfg.com
E-mail: abhinfo@abhmfg.com
Architectural Builders Hardware Mfg., Inc.
1222 Ardmore Ave., Itasca, IL 60143
630.875.9900; FAX 800.9FAXABH (932.9224)

**A270HD - "EM" OPTION
CONCEALED ELECTRIFICATION**

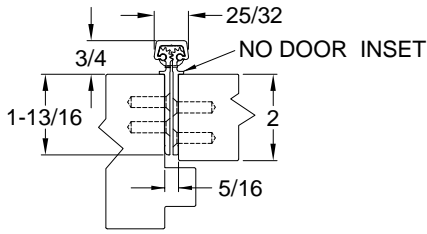
©2016 ABH Mfg., Inc.
printed in USA

PAGE 1 OF 2
ISSUED 02-03-16

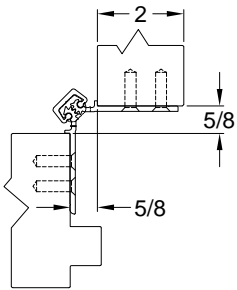
**A270HD - "EM" OPTION, CONCEALED ELECTRIFICATION, FULL CONCEALED,
ALUMINUM GEARED HINGE**

NOTES:

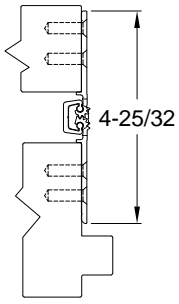
1. HINGES CUT TO CUSTOM LENGTH ARE CUT FROM BOTTOM OF HINGE.
2. SPECIFY HANDING WHEN ORDERING.
3. IF "M" OPTION (MOVEABLE PANEL) OR "R" OPTION (REMOVABLE PANEL) IS CHOSEN, TEMPLATE REMAINS THE SAME.



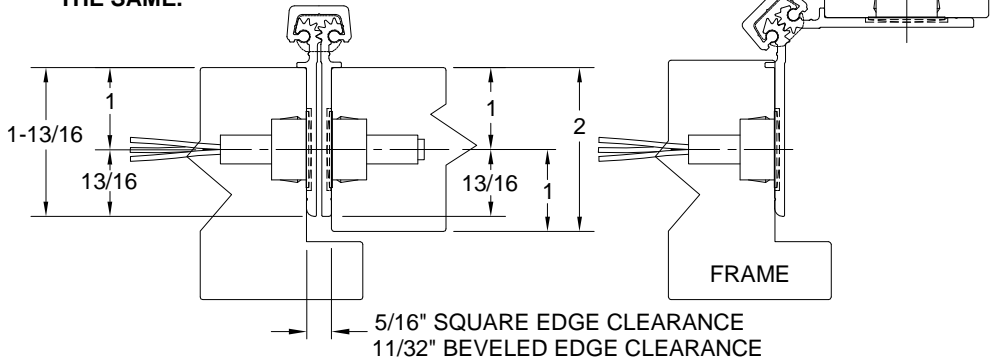
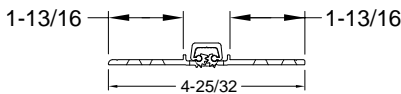
CLOSED POSITION



90° OPENING



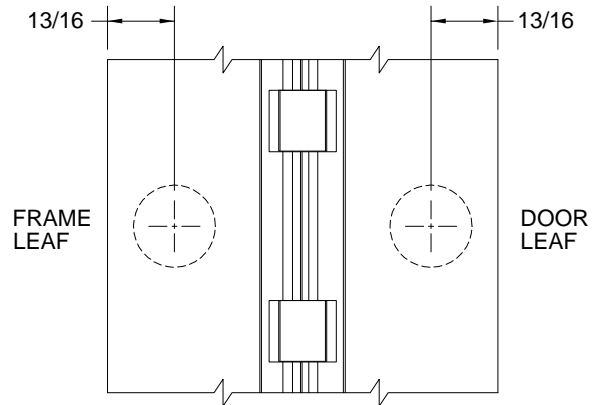
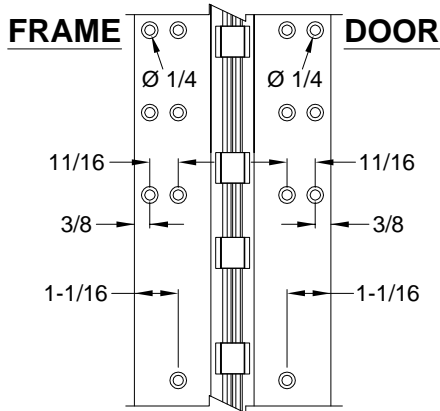
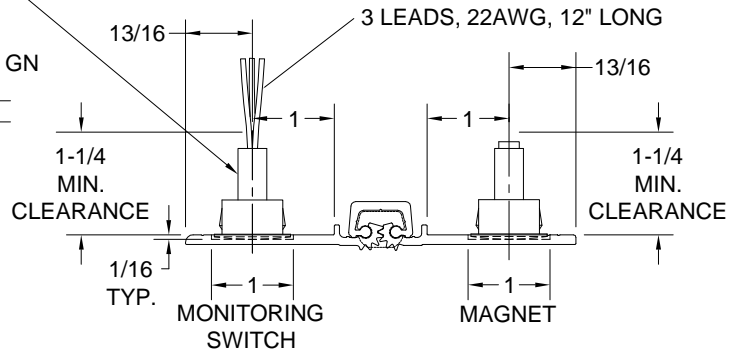
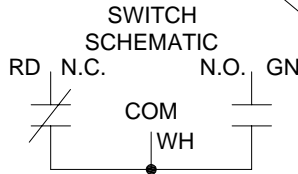
180° OPENING



**MAGNETIC MONITOR SWITCH VIEW,
LEFT HAND SHOWN**

NOTE: 7/8" DIA. MIN. CLEARANCE HOLE REQUIRED IN DOOR & FRAME FOR MONITORING SWITCH AND MAGNET

ELECTRICAL CONFIG.: SPDT
MAX. INITIAL CONTACT RESISTANCE : 0.140 OHM
MAX. CONTACT RATING: 5 WATT
MAX. SWITCHING VOLTAGE: 175 VDC
MAX. SWITCHING CURRENT: 0.25 AMP



MAGNETIC MONITOR SWITCH VIEW



www.abhmfg.com
E-mail: abhinfo@abhmfg.com
Architectural Builders Hardware Mfg., Inc.
1222 Ardmore Ave., Itasca, IL 60143
630.875.9900; FAX 800.9FAXABH (932.9224)

A270HD-EM OPTION, CONCEALED ELECTRIFICATION-2-00

**A270HD - "EM" OPTION
CONCEALED ELECTRIFICATION**

©2016 ABH Mfg., Inc.
printed in USA

PAGE 2 OF 2
ISSUED 02-03-16