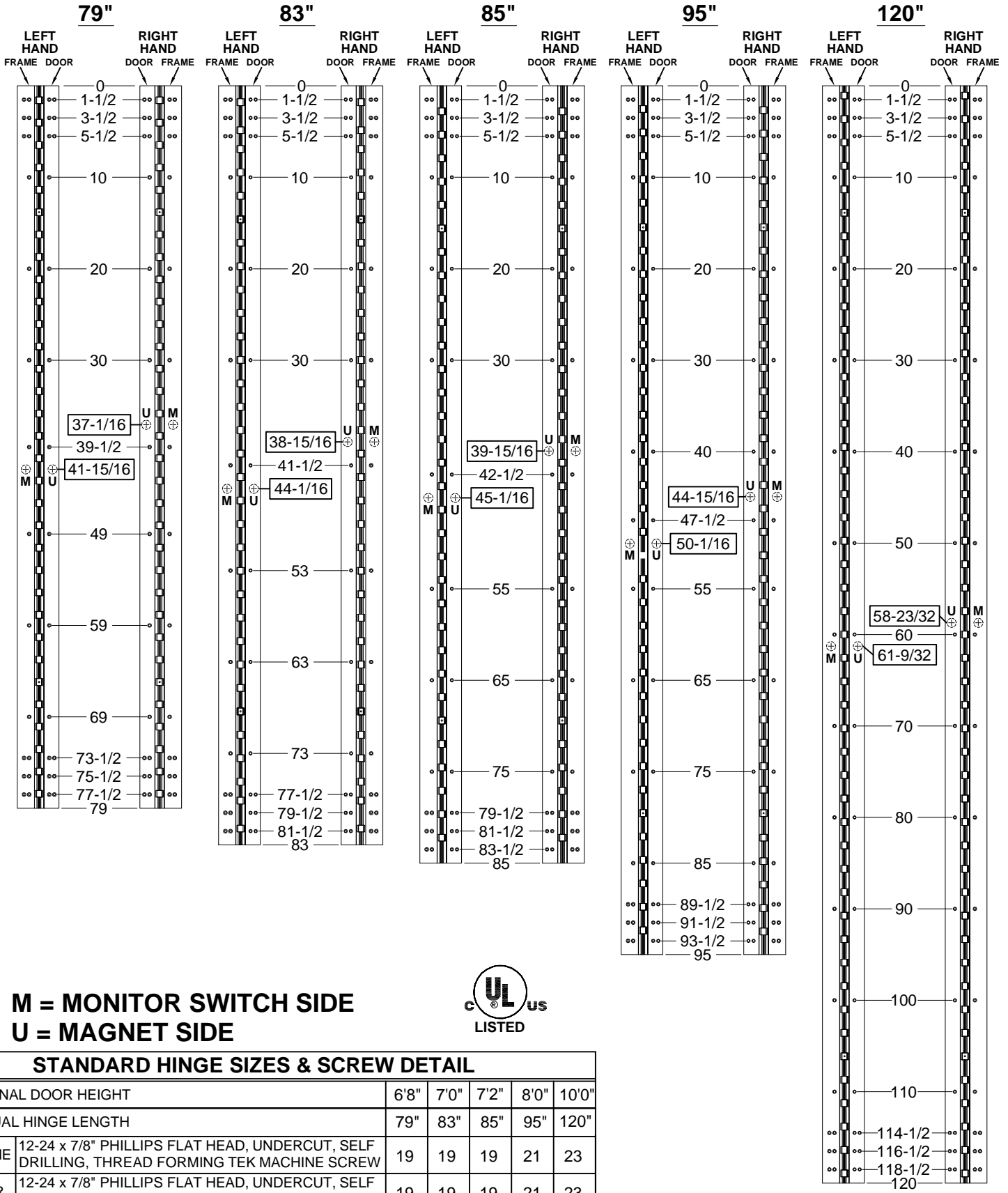


**A111HD - "EM" OPTION, CONCEALED ELECTRIFICATION, FULL CONCEALED,  
ALUMINUM GEARED HINGE**



**M = MONITOR SWITCH SIDE**  
**U = MAGNET SIDE**



**STANDARD HINGE SIZES & SCREW DETAIL**

NOMINAL DOOR HEIGHT	6'8"	7'0"	7'2"	8'0"	10'0"
ACTUAL HINGE LENGTH	79"	83"	85"	95"	120"
FRAME	12-24 x 7/8" PHILLIPS FLAT HEAD, UNDERCUT, SELF DRILLING, THREAD FORMING TEK MACHINE SCREW				
DOOR	12-24 x 7/8" PHILLIPS FLAT HEAD, UNDERCUT, SELF DRILLING, THREAD FORMING TEK MACHINE SCREW				
	19	19	19	21	23

A111HD-EM OPTION, CONCEALED ELECTRIFICATION-1-00



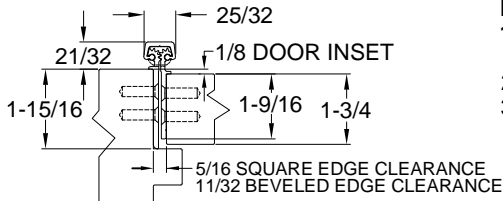
® [www.abhmfg.com](http://www.abhmfg.com)  
E-mail: [abhinfo@abhmfg.com](mailto:abhinfo@abhmfg.com)  
Architectural Builders Hardware Mfg., Inc.  
1222 Ardmore Ave., Itasca, IL 60143  
630.875.9900; FAX 800.9FAXABH (932.9224)

**A111HD - "EM" OPTION  
CONCEALED ELECTRIFICATION**

©2016 ABH Mfg., Inc.  
printed in USA

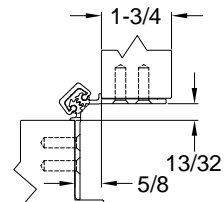
PAGE 1 OF 2  
ISSUED 02-03-16

**A111HD - "EM" OPTION, CONCEALED ELECTRIFICATION, FULL CONCEALED,  
ALUMINUM GEARED HINGE**

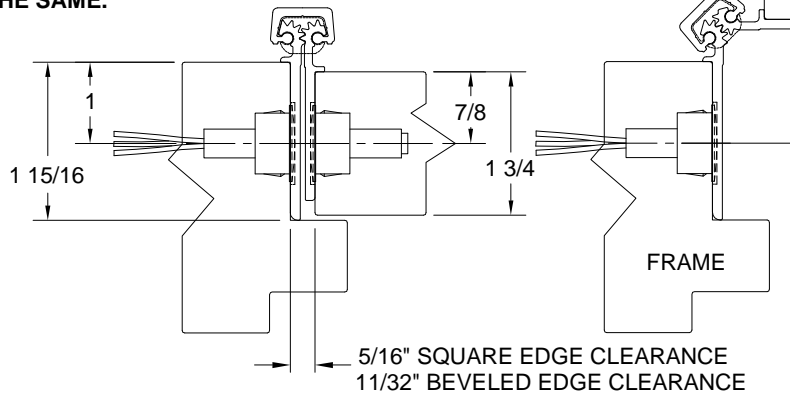


**CLOSED POSITION**

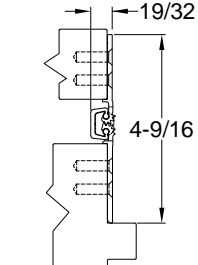
- NOTES:**
1. HINGES CUT TO CUSTOM LENGTH ARE CUT FROM BOTTOM OF HINGE.
  2. SPECIFY HANDING WHEN ORDERING.
  3. IF "M" OPTION (MOVEABLE PANEL) OR "R" OPTION (REMOVABLE PANEL) IS CHOSEN, TEMPLATE REMAINS THE SAME.



**90° OPENING**



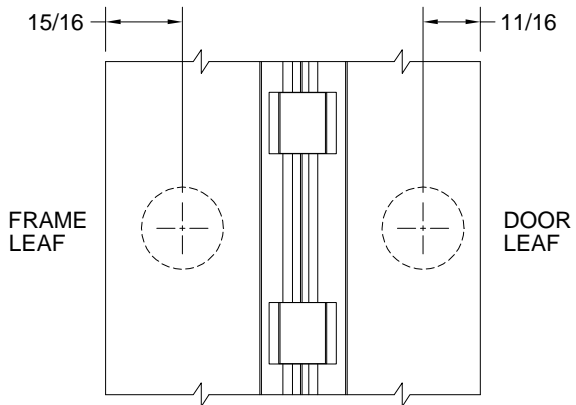
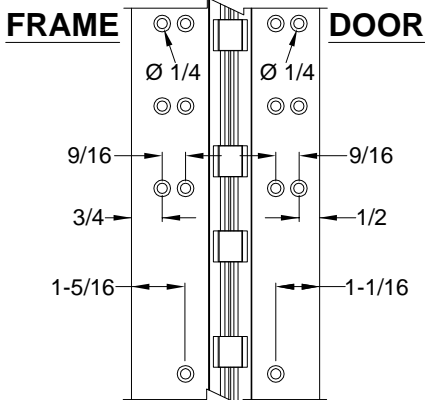
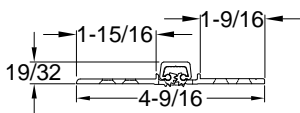
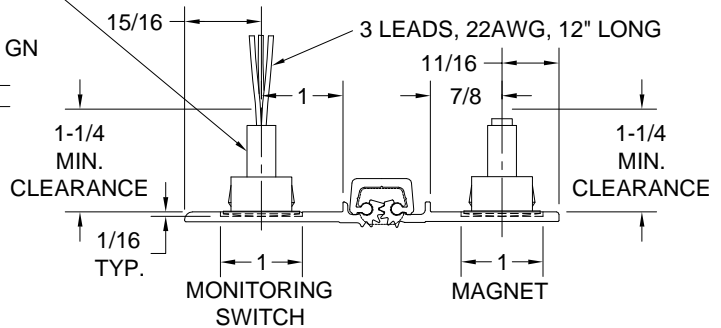
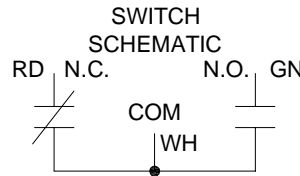
**MAGNETIC MONITOR SWITCH VIEW,  
LEFT HAND SHOWN**



**180° OPENING**

NOTE: 7/8" DIA. MIN. CLEARANCE HOLE REQUIRED IN DOOR & FRAME FOR MONITORING SWITCH AND MAGNET

ELECTRICAL CONFIG.: SPDT  
MAX. INITIAL CONTACT RESISTANCE : 0.140 OHM  
MAX. CONTACT RATING: 5 WATT  
MAX. SWITCHING VOLTAGE: 175 VDC  
MAX. SWITCHING CURRENT: 0.25 AMP



**MAGNETIC MONITOR SWITCH VIEW**



www.abhmfg.com  
E-mail: abhinfo@abhmfg.com  
Architectural Builders Hardware Mfg., Inc.  
1222 Ardmore Ave., Itasca, IL 60143  
630.875.9900; FAX 800.9FAXABH (932.9224)

A111HD-EM OPTION, CONCEALED ELECTRIFICATION-2-00

**A111HD - "EM" OPTION  
CONCEALED ELECTRIFICATION**

©2016 ABH Mfg., Inc.  
printed in USA

PAGE 2 OF 2  
ISSUED 02-03-16