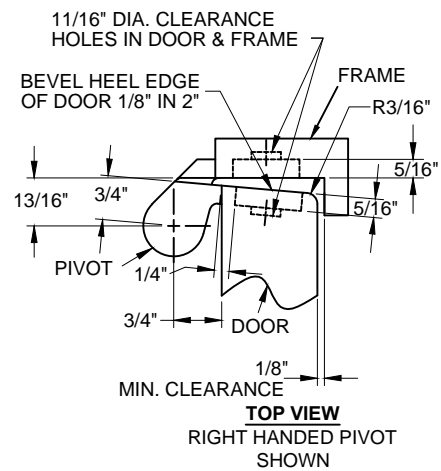
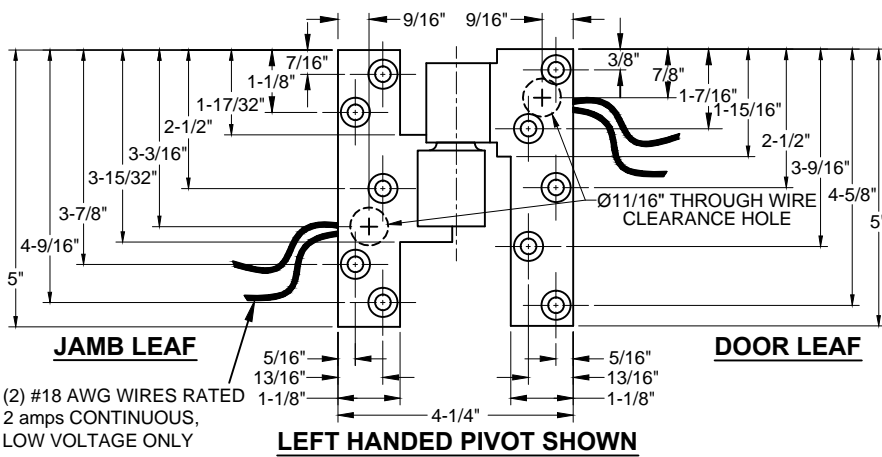
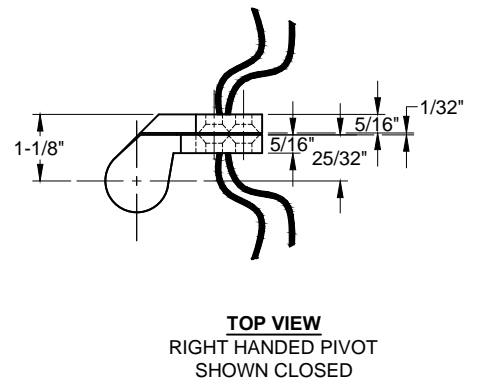
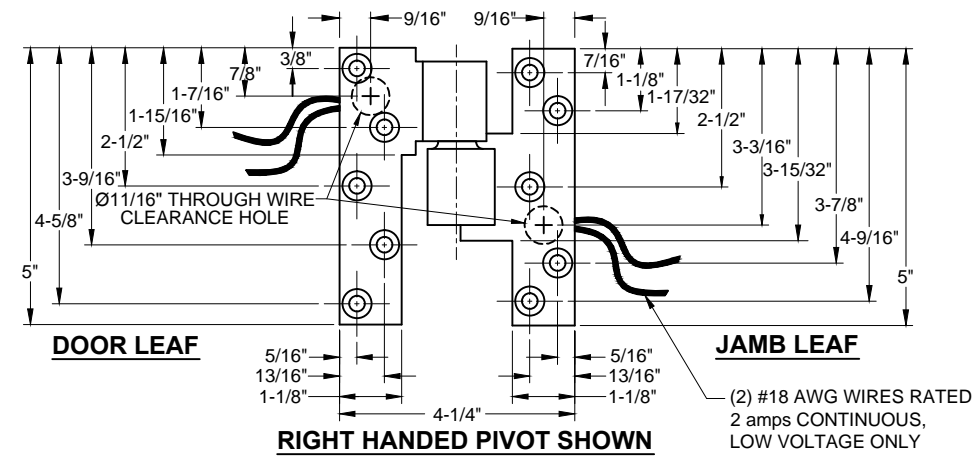


E019U ELECTRIFIED INTERMEDIATE PIVOT, 3/4" OFFSET, HANDED



NOTES:

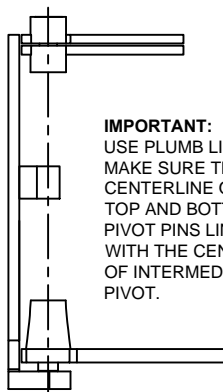
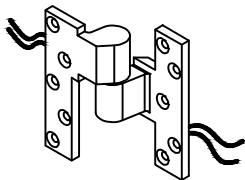
- PIVOTS DRILLED FOR 1/4-20 x 3/4 FHMS OR #14 x 2" FHWS.
- REINFORCING BY OTHERS.
- IT IS THE DOOR AND FRAME MANUFACTURERS RESPONSIBILITY TO CHECK THE HARDWARE SCHEDULE AND PREP THE DOORS AND FRAMES.
- MAXIMUM DEGREE OF OPENING, 180°, TRIM PREMITTING.

DOOR AND FRAME PREPARATION

- PREPARE DOOR & FRAME PER DRAWING ABOVE.
- THROUGH WIRE TYPE PIVOTS ARE NON-LOAD BEARING AND MUST BE MOUNTED IN THE CENTER PIVOT POSITION ONLY.
- DO NOT ATTEMPT TO DISASSEMBLE THE PIVOT, IT MUST BE INSTALLED ASSEMBLED. IF PIVOT IS DISASSEMBLED, MANUFACTURER'S WARRANTY WILL BE VOID.
- WIRE CLEARANCE HOLES MUST BE FREE OF BURRS AND SHARP EDGES. CHECK TO MAKE SURE THAT PIVOT FITS FREELY IN PREP TO AVOID DAMAGE AND/OR SHORTENED LIFE.
- DO NOT FORCE PIVOT INTO PREP HOLES.

INSTALLATION

- HANG THE DOOR ON THE TOP AND BOTTOM PIVOTS FIRST. (NOTE: THESE ARE NON-ELECTRICAL PIVOTS).
- ATTACH WIRES IN ACCORDANCE WITH PROJECT WIRING DIAGRAMS.
- OPEN DOOR TO 90° OR MORE FOR ACCESS TO JAMB PREPS.
- EXTRACT INTERIOR WIRING THROUGH THE PREP HOLES FROM THE DOOR AND JAMB.
- TERMINATE WIRE CONNECTIONS WITH APPROPRIATE CRIMP SPLICES OR WIRE NUTS. NOTE: IT IS HELPFUL TO STAGGER TERMINATIONS. THIS ALLOWS FOR EASY INSERTION OF WIRES THROUGH PREP HOLES.
- DO NOT HANG PIVOT BY WIRES DURING INSTALLATION OR SERIOUS DAMAGE COULD OCCUR.**
- INSULATE ALL ENDS OF UNUSED WIRES.
- AFTER ALL TERMINATIONS ARE COMPLETED, CAREFULLY SLIDE WIRES THROUGH PREP HOLE MAKING SURE THAT WIRES ARE PLACED SO THEY WILL NOT BE CUT OR PINCHED AS PIVOT IS INSTALLED.



IMPORTANT:
USE PLUMB LINE TO MAKE SURE THAT CENTERLINE OF TOP AND BOTTOM PIVOT PINS LINE UP WITH THE CENTERLINE OF INTERMEDIATE PIVOT.