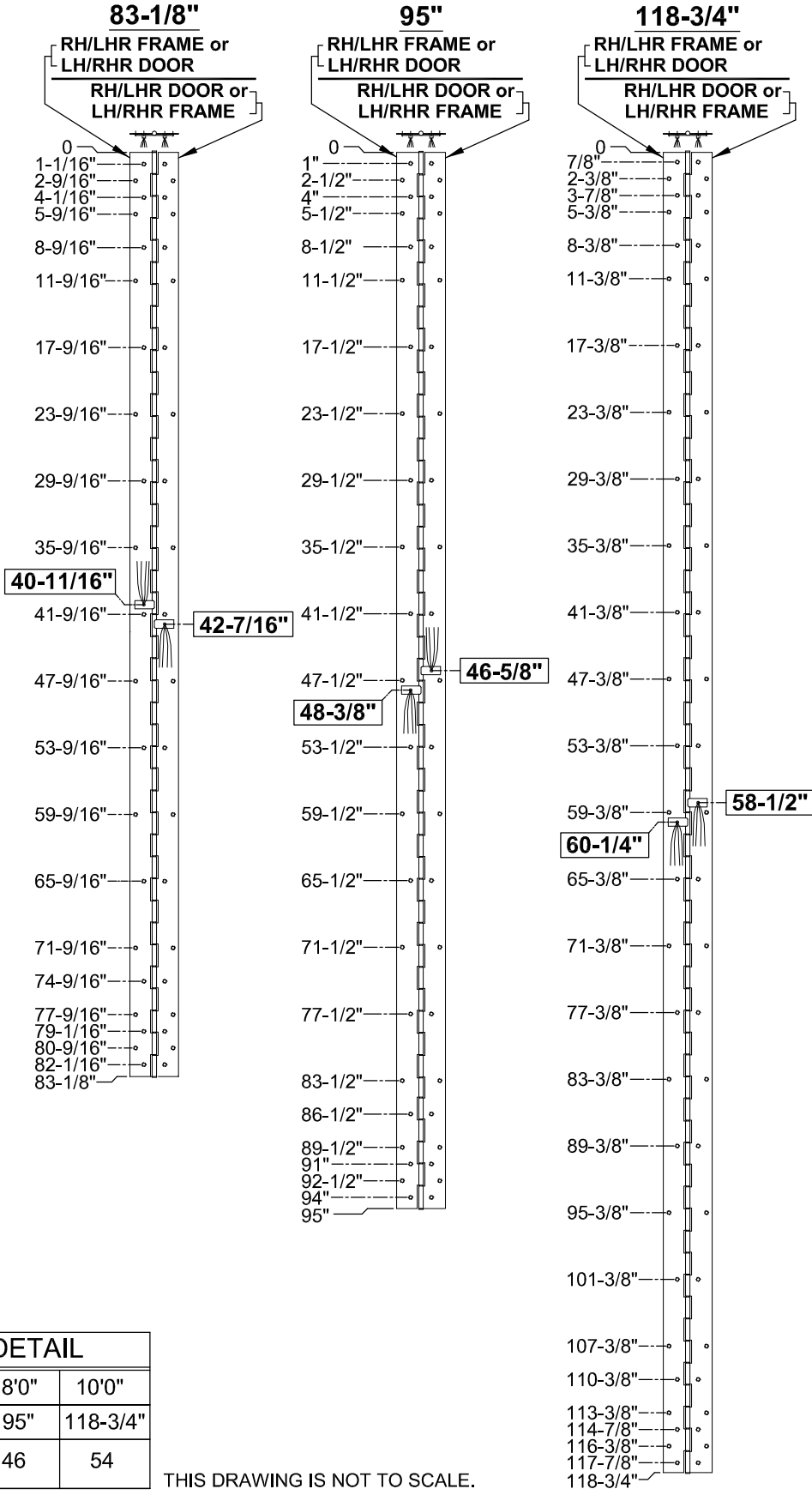
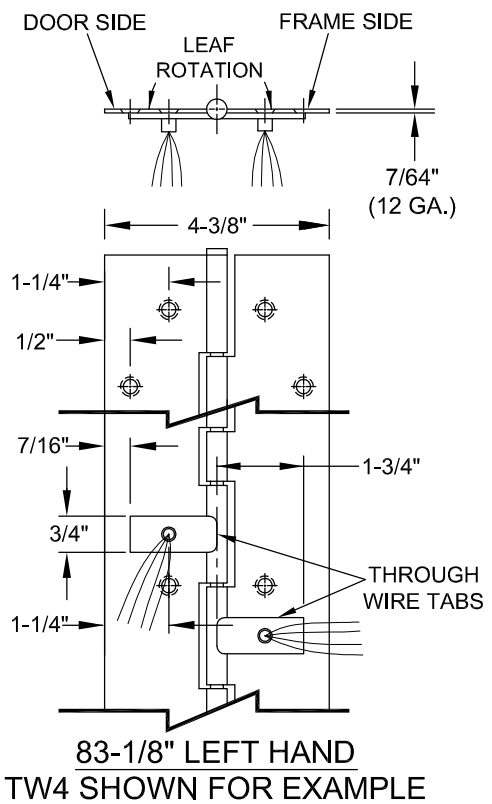


A5500 - "TW" or "EZ" OPTION, CONCEALED ELECTRIFICATION, FULL CONCEALED, EDGE MOUNT - 12 GA., STAINLESS STEEL HINGE



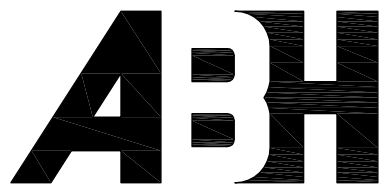
- NOTES:**
- HINGES CUT TO CUSTOM LENGTH ARE CUT FROM BOTTOM OF HINGE.
 - SPECIFY HANDING WHEN ORDERING.
 - SPECIFY WIRE CONFIGURATION WHEN ORDERING, TEMPLATE REMAINS THE SAME.
 - CT4 • CT4 x EZ *
 - CT8 • CT8 x EZ *
 - CT12 • CT12 x EZ *

- * SPECIFY ELECTRIFIED HARDWARE MANUFACTURER FOR CONNECTOR COMPABILITY
- IF "M" OPTION (MOVEABLE PANEL) IS CHOSEN, TEMPLATE REMAINS THE SAME.
 - 30 AWG WIRES, APPROX. 4" LONG PER SIDE, RATED 2 AMP CONTINUOUS LOW VOLTAGE.
 - THRU WIRE LOCATION DIMENSIONS +/- 1/16".

STANDARD HINGE SIZES & SCREW DETAIL			
NOMINAL DOOR HEIGHT	7'0"	8'0"	10'0"
ACTUAL HINGE HEIGHT	83-1/8"	95"	118-3/4"
12-24 x 1/2" PHILLIPS FLAT HEAD, UNDERCUT, MACHINE SCREW, S.S.	42	46	54

THIS DRAWING IS NOT TO SCALE.

A5500-TW or EZ OPTION, CONCEALED ELECTRIFICATION-1-00.DWG

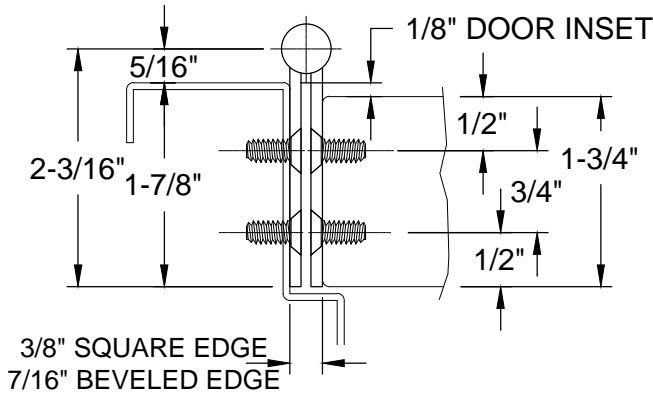


® www.abhmfg.com
 E-mail: abhinfo@abhmfg.com
 Architectural Builders Hardware Mfg., Inc.
 1222 Ardmore Ave., Itasca, IL 60143
 630.875.9900; FAX 800.9FAXABH (932.9224)

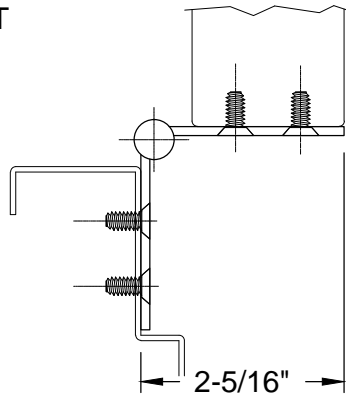
**A5500 - "TW" or "EZ" OPTION
 CONCEALED ELECTRIFICATION
 12 GAUGE**

© 2016 ABH Mfg., Inc.
 printed in USA

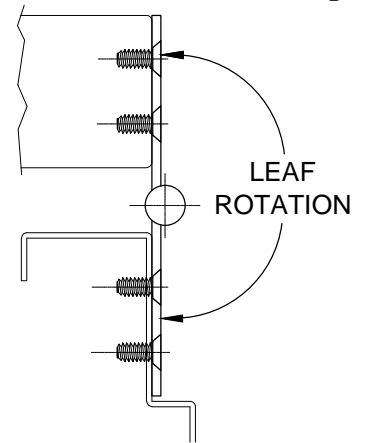
A5500 - "TW" or "EZ" OPTION, CONCEALED ELECTRIFICATION, FULL CONCEALED, EDGE MOUNT - 12 GA., STAINLESS STEEL HINGE



CLOSED POSITION
(WIRES NOT SHOWN)

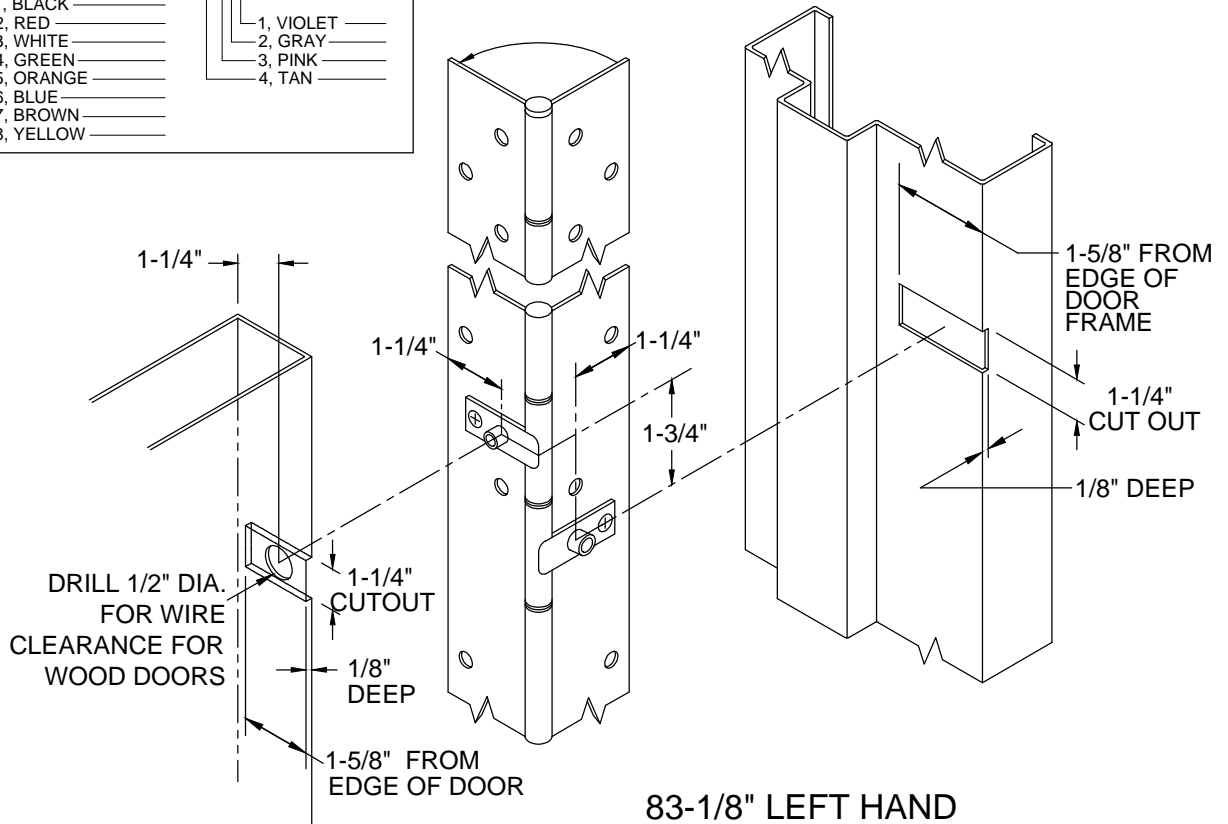
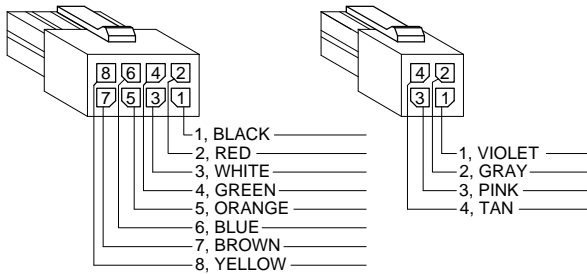


90° OPEN POSITION
(WIRES NOT SHOWN)



180° OPEN POSITION
(WIRES NOT SHOWN)

EZ CONNECT OPTION



A5500-TW or EZ OPTION, CONCEALED ELECTRIFICATION-2-00.DWG



www.abhmfg.com
E-mail: abhinfo@abhmfg.com
Architectural Builders Hardware Mfg., Inc.
1222 Ardmore Ave., Itasca, IL 60143
630.875.9900; FAX 800.9FAXABH (932.9224)

A5500 - "TW" or "EZ" OPTION
CONCEALED ELECTRIFICATION
12 GAUGE

©2016 ABH Mfg., Inc.
printed in USA

PAGE 2 OF 2
ISSUED 01-12-16