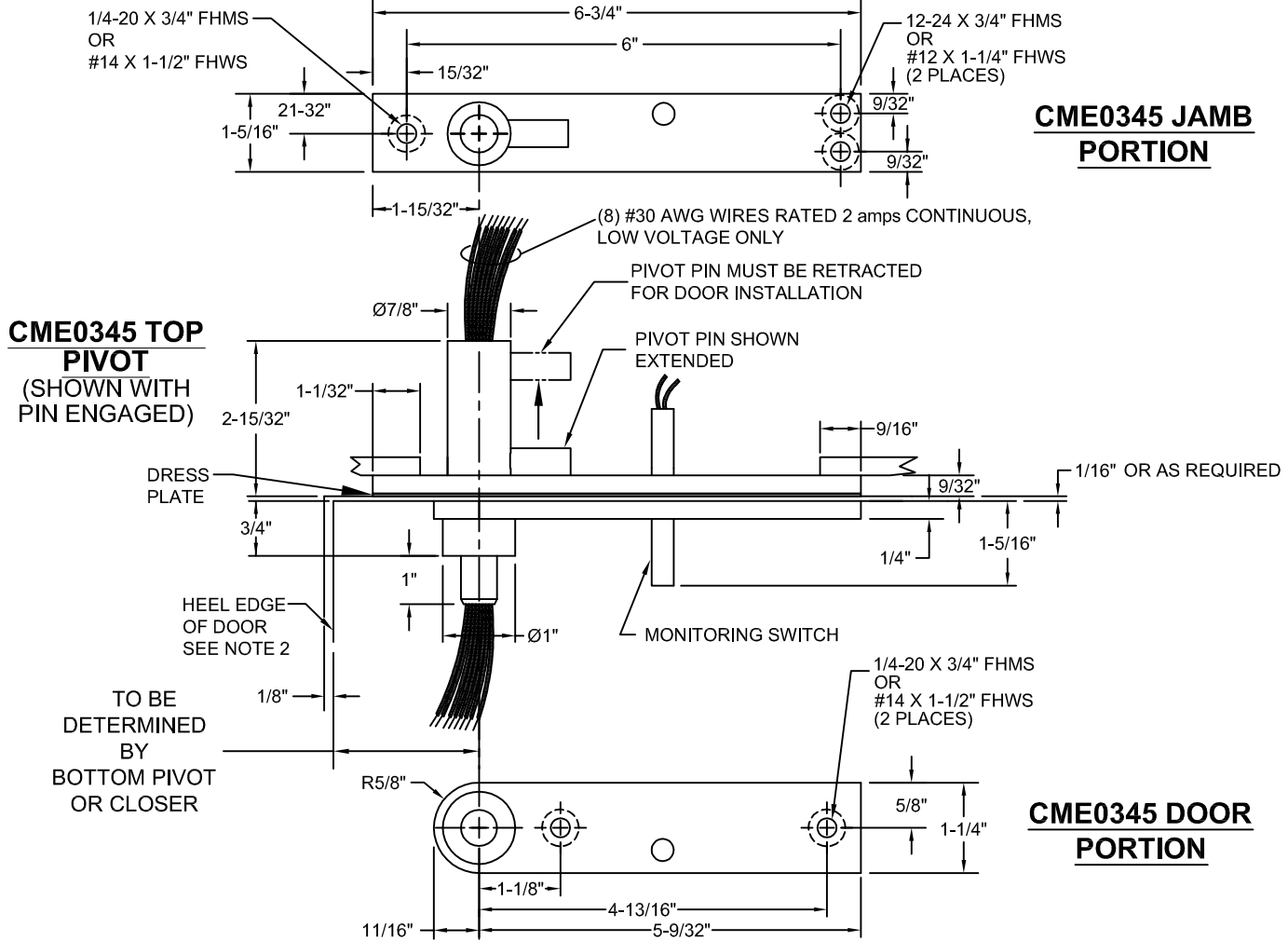
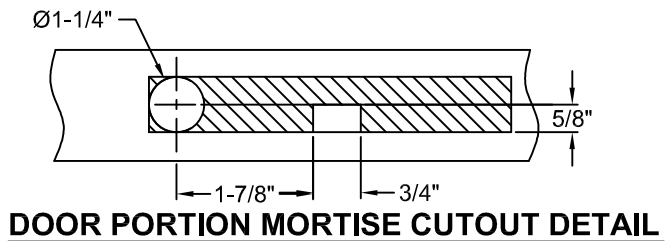
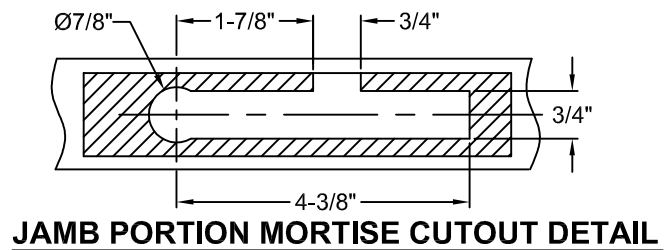


CME0345 TOP PIVOT, CENTER HUNG, NON-HANDED WITH CONCEALED MAGNETIC MONITOR SWITCH, THRU WIRES & 1" LONGER EXTENDED PIVOT PIN



- NOTES:**
1. REINFORCING BY OTHERS.
 2. RADIUS HEEL EDGE OF DOOR 1-1/4" MAX FOR 1-3/8" - 2-1/2" THICK DOORS
 3. IT IS THE DOOR AND FRAME MANUFACTURERS RESPONSIBILITY TO CHECK THE HARDWARE SCHEDULE AND PREP THE DOORS AND FRAMES.
 4. CENTERLINE OF TOP PIVOT PIN MUST BE PLUMB AND STRAIGHT WITH BOTTOM PIVOT OR CLOSER SPINDLE.
 5. CONNECT WIRES IN THE FRAME AND INSTALL JAMB PORTION WITH PIN RETRACTED.
 6. PLACE DOOR ON BOTTOM PIVOT AND LEAN THE TOP OF THE DOOR NEAR THE TOP JAMB.
 7. INSTALL WIRES THROUGH DOOR PORTION BEARING HOLE AND CONNECT WIRES IN DOOR.
 8. INSTALL DOOR PORTION.
 9. RAISE DOOR TO VERTICAL POSITION WHILE CAREFULLY PUSHING WIRES DOWN INSIDE DOOR.
 10. RETRACT PIVOT PIN AS SHOWN WHEN DOOR IS IN ALIGNMENT WITH PIVOT JAMB PORTION ALLOW PIVOT PIN DROP INTO DOOR PORTION
 11. TEST THE ELECTRICAL INSTALLATION FOR PROPER OPERATION OF THE WIRED DOOR DEVICES.



www.abhmfg.com
 E-mail: abhinfo@abhmfg.com
 Architectural Builders Hardware Mfg., Inc.
 1222 Ardmore Ave., Itasca, IL 60143
 630.875.9900; FAX 800.9FAXABH (932.9224)

© 2016 ABH Mfg., Inc.
printed in USA

CME0345
 PAGE 1 OF 1
 ISSUED 01-04-16

CME0345-00.DWG