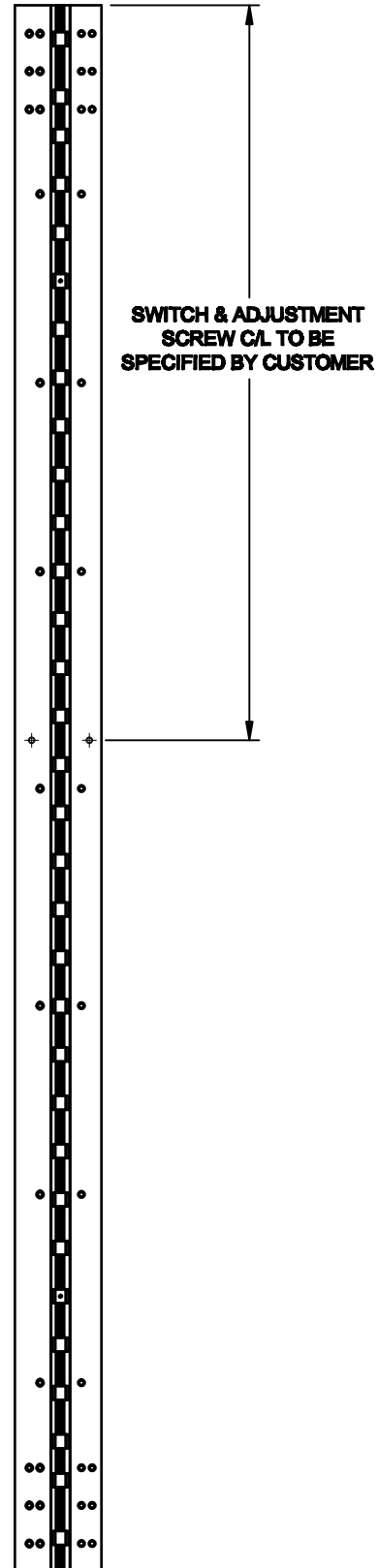
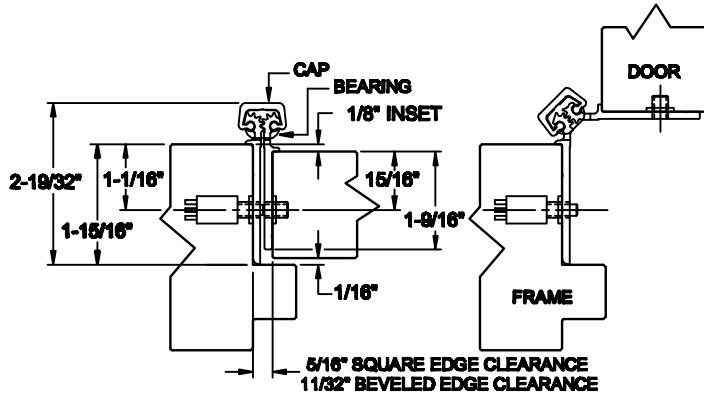
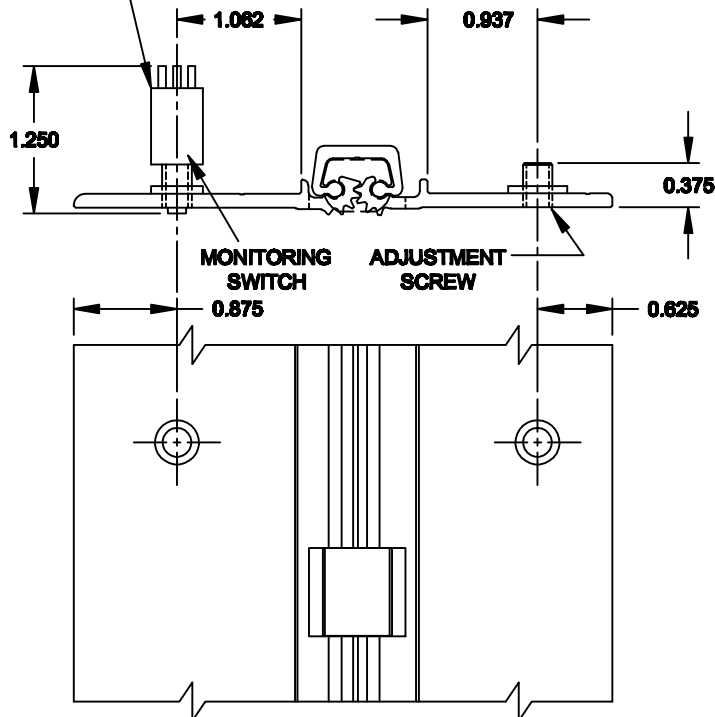
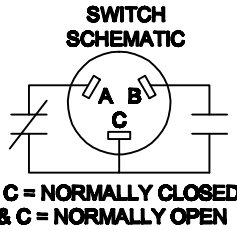


A111ES EXPOSED MONITOR SWITCH



NOTE: 5/8" DIA. HOLE REQUIRED IN JAMB FOR MONITORING SWITCH AND A 7/16" DIA. HOLE FOR CLEARANCE OF ADJUSTMENT SCREW



ALL DIMENSIONS ARE TO CENTERLINE OF HOLES AND ELECTRONIC MONITORING SWITCH

A111ES-00.DWG

A111ES
ISSUED 01-31-07