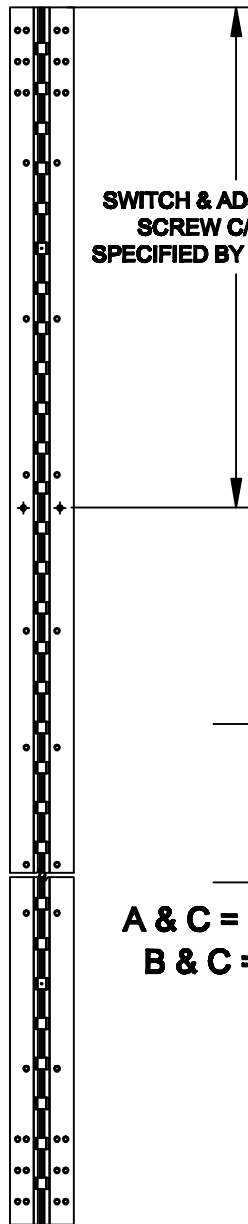
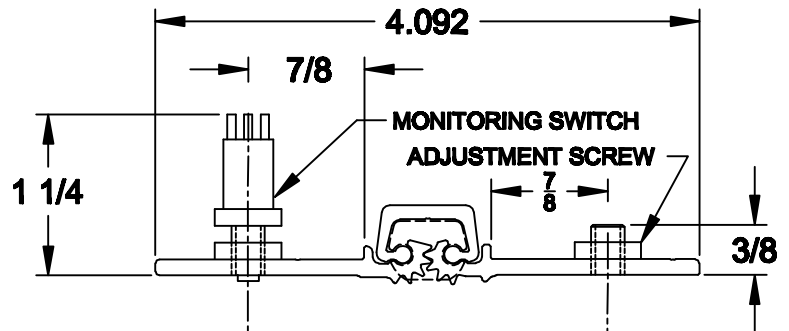
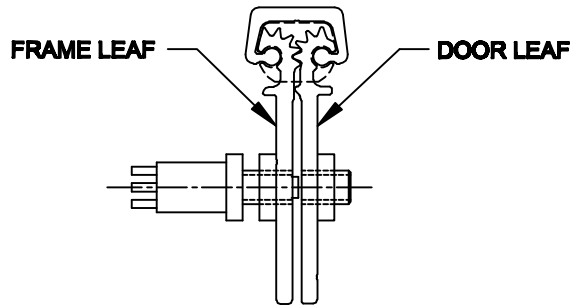


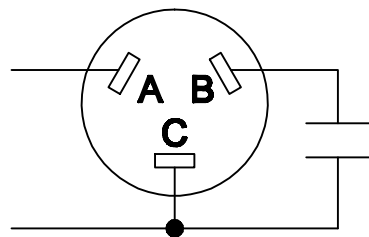
A110ES EXPOSED MONITOR SWITCH



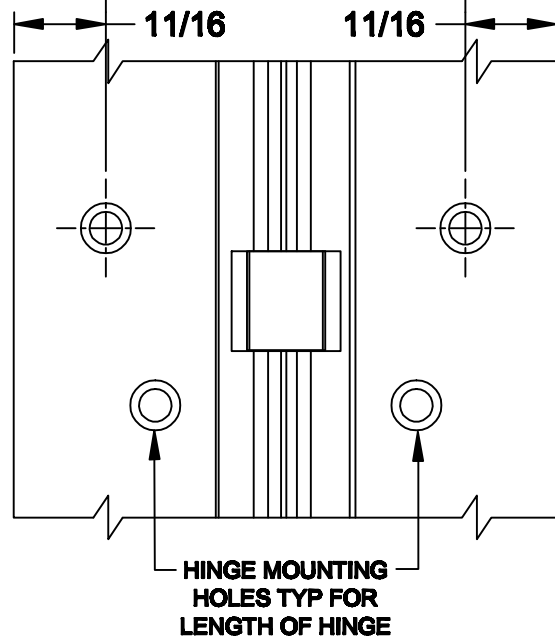
SWITCH & ADJUSTMENT
SCREW C/L TO BE
SPECIFIED BY CUSTOMER



SWITCH SCHEMATIC



A & C = NORMALLY CLOSED
B & C = NORMALLY OPEN



NOTE:
**5/8" HOLES REQUIRED IN JAMB AND DOOR HINGE
REINFORCEMENT FOR CLEARANCE OF MONITORING
SWITCH**



www.abhmfg.com
E-mail: abhinfo@abhmfg.com
Architectural Builders Hardware Mfg., Inc.
1222 Ardmore Ave., Itasca, IL 60143
630.875.9900; FAX 800.9FAXABH (932.9224)

© 2014 ABH Mfg., Inc.
printed in USA

A110ES-03.DWG

A110ES
REVISED 01-15-14