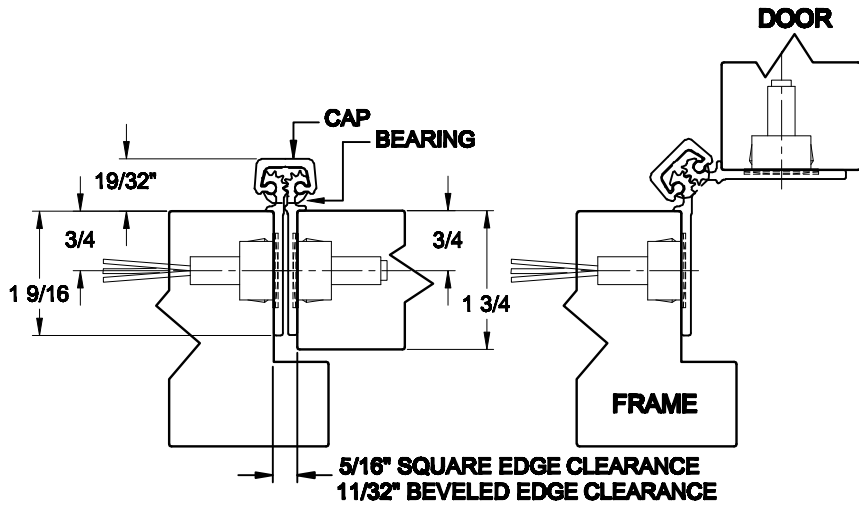


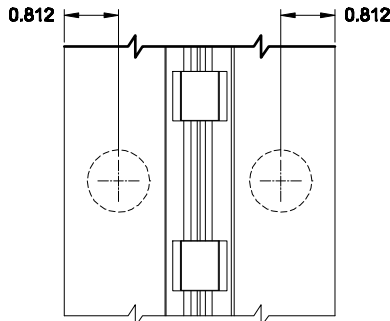
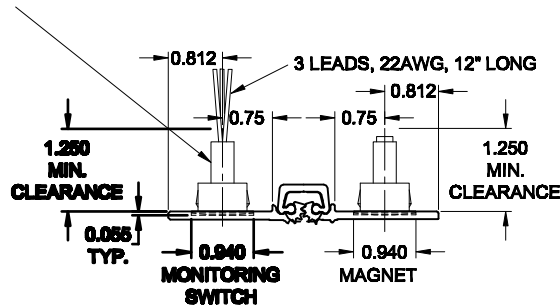
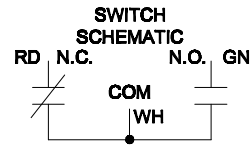
"EM" CONCEALED ELECTRICAL MAGNETIC MONITOR SWITCH



**MAGNETIC MONITOR
SWITCH VIEW, LEFT HAND SHOWN**

NOTE: 7/8" DIA. MIN.
CLEARANCE HOLE
REQUIRED IN DOOR &
FRAME FOR MONITORING
SWITCH AND MAGNET

ELECTRICAL CONFIG.: SPDT
MAX. INITIAL CONTACT RESISTANCE : 0.140 OHM
MAX. CONTACT RATING: 5 WATT
MAX. SWITCHING VOLTAGE: 175 VDC
MAX. SWITCHING CURRENT: 0.25 AMP



MAGNETIC MONITOR SWITCH VIEW

A110EM-00.DWG

A110EM
ISSUED 06-25-14