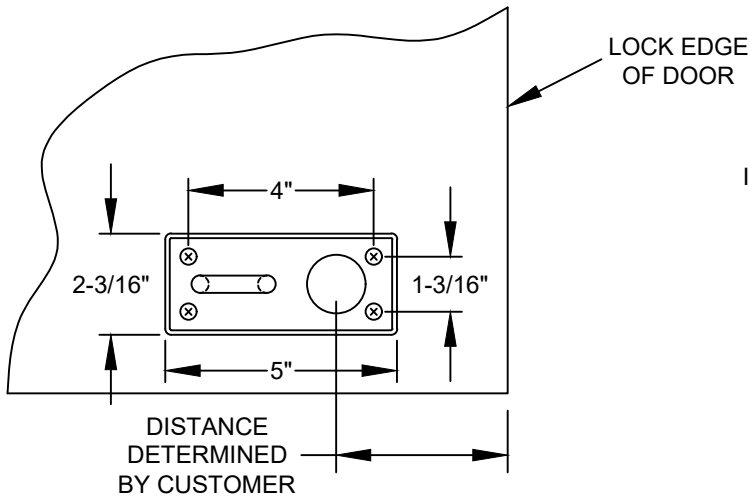


DOOR STOP / HOLD OPEN

WARNING:
IF POSSIBLE INSTALL WELL
OUT OF FOOT TRAFFIC

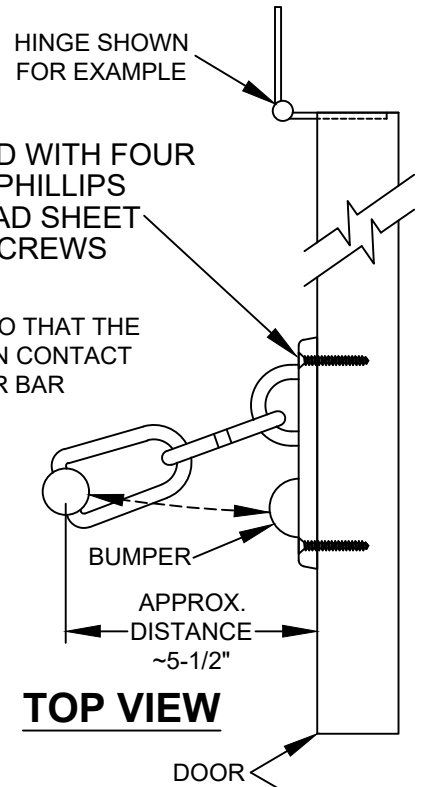


FRONT VIEW

SUPPLIED WITH FOUR
 #8x1-1/4 PHILLIPS
 FLAT HEAD SHEET
 METAL SCREWS

INSTALL DOOR STOP SO THAT THE
 BUMPER WILL COME IN CONTACT
 WITH THE FLOOR BAR

PULL SIDE



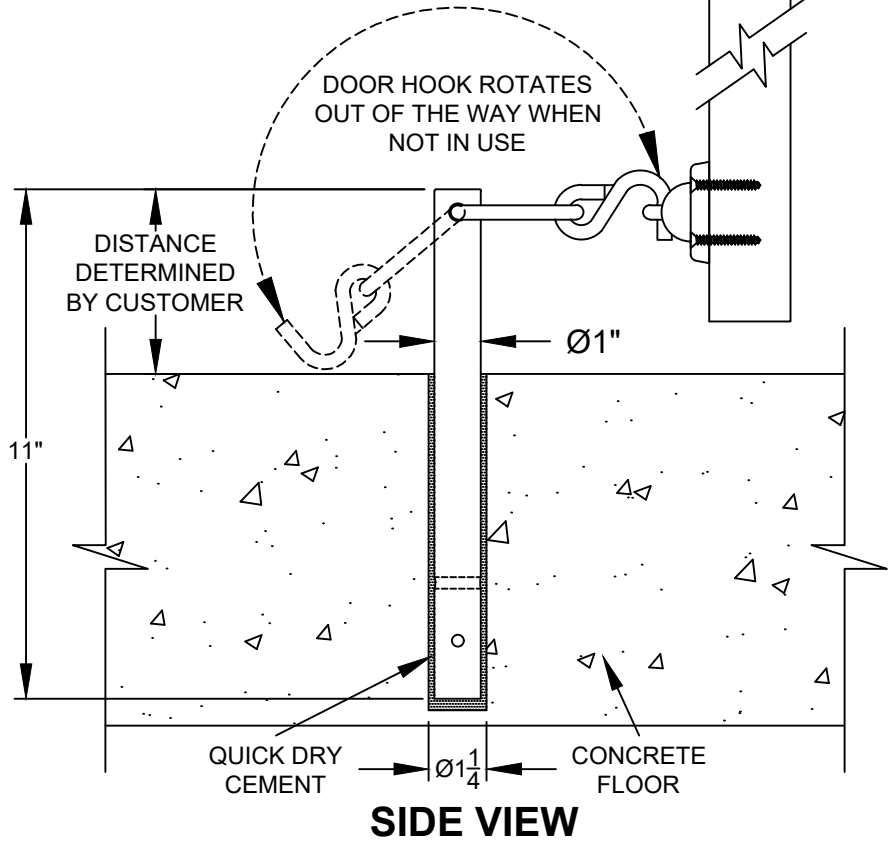
TOP VIEW

Installing Pipe Stop in Cement Floor

1. Determine location of pipe stop in floor.
- NOTE: WHEN POSSIBLE INSTALL WELL OUT OF FOOT TRAFFIC
2. Drill 1-1/4" wide hole in concrete floor. Depth is determined by the amount of pipe remaining above the finished floor.
 3. Once drilled, fill the drilled hole with Wet Quick-Dry Cement approximately 60% full.
 4. Push Pipe stop into wet cement all the way down, removing any excess cement that has pushed up from the hole. Verify the pipe stop is centered in the cement.
 5. Let Dry completely before use. Cement drying time will vary on quick-dry cement instructions.

Installing Door Bracket Assembly

1. Door Bracket should be located near the lock edge of the door.
2. Horizontal and vertical location will be determined by the location of the pipe stop installed.
3. Door Bracket should be installed so that the bumper will come in contact with the pipe stop.
4. Once location is determined use the provided fasteners to install into the door.



SIDE VIEW

PATENTED



www.abhmf.com
 E-mail: abhinfo@abhmf.com
 Architectural Builders Hardware Mfg., Inc.
 1222 Ardmore Ave., Itasca, IL 60143
 630.875.9900; FAX 800.9FAXABH (932.9224)

© 2021 ABH Mfg., Inc.
 printed in USA

1804-04.DWG

1804

PAGE 1 OF 1
 REVISED 04-30-21