

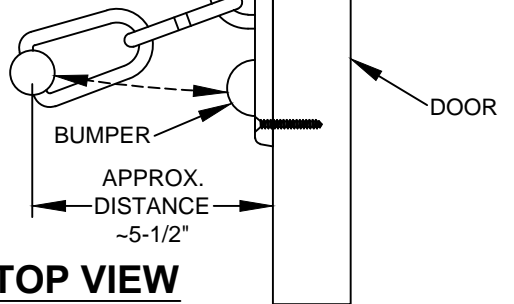
DOOR STOP / HOLD OPEN

HINGE SHOWN FOR EXAMPLE

SUPPLIED WITH FOUR #8x1-1/4 PHILLIPS FLAT HEAD SHEET METAL SCREWS

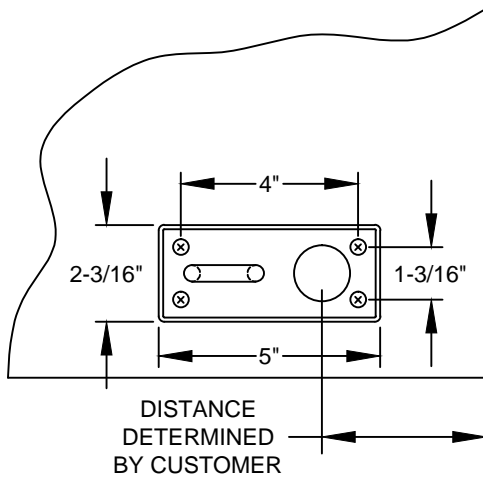
INSTALL DOOR STOP SO THAT THE BUMPER WILL COME IN CONTACT WITH THE FOOT BAR

PULL SIDE

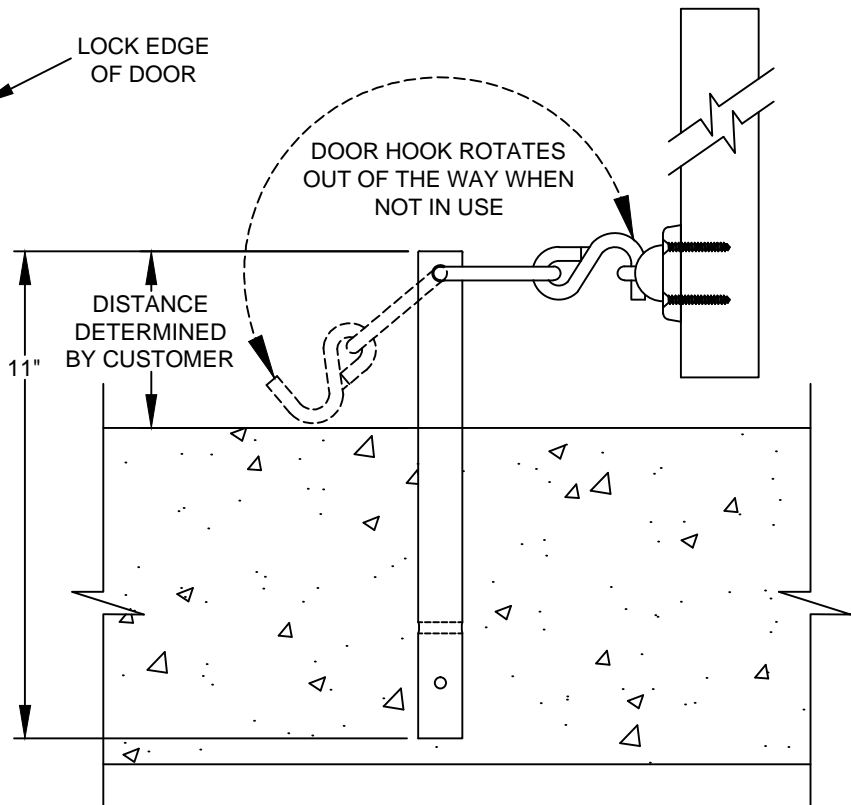


WARNING:
IF POSSIBLE INSTALL WELL OUT OF FOOT TRAFFIC

TOP VIEW



FRONT VIEW



SIDE VIEW

PATENTED

ABH
MANUFACTURING INC.

www.abhmfg.com
E-mail: abhinfo@abhmfg.com
Architectural Builders Hardware Mfg., Inc.
1222 Ardmore Ave., Itasca, IL 60143
630.875.9900; FAX 800.9FAXABH (932.9224)

© 2019 ABH Mfg., Inc.
printed in USA

1804-03.DWG

1804

PAGE 1 OF 1
ISSUED 08-19-19