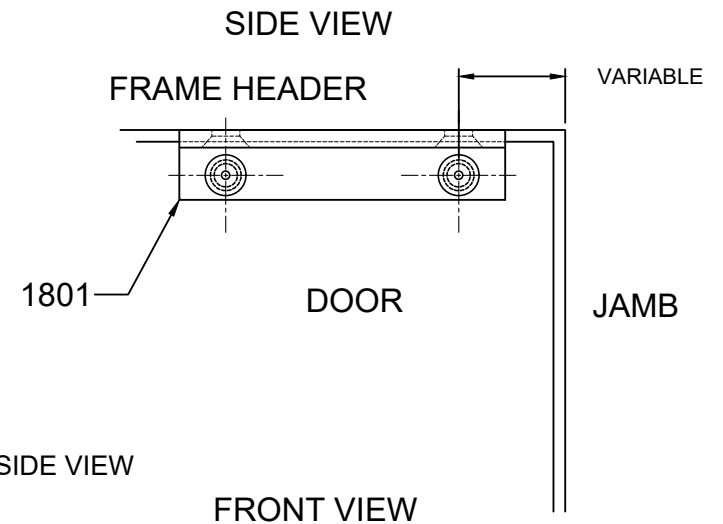
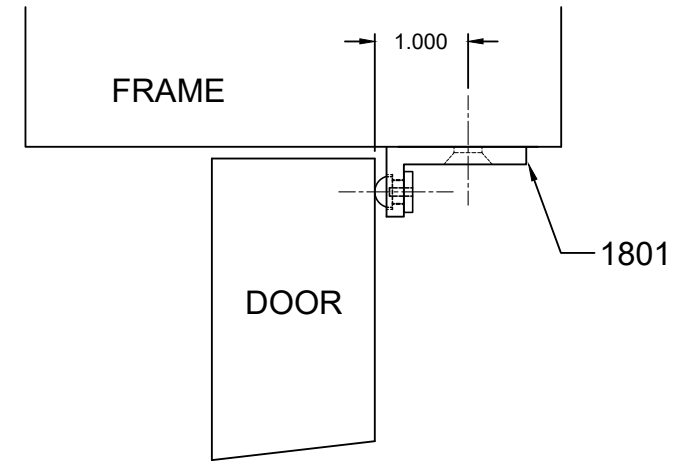
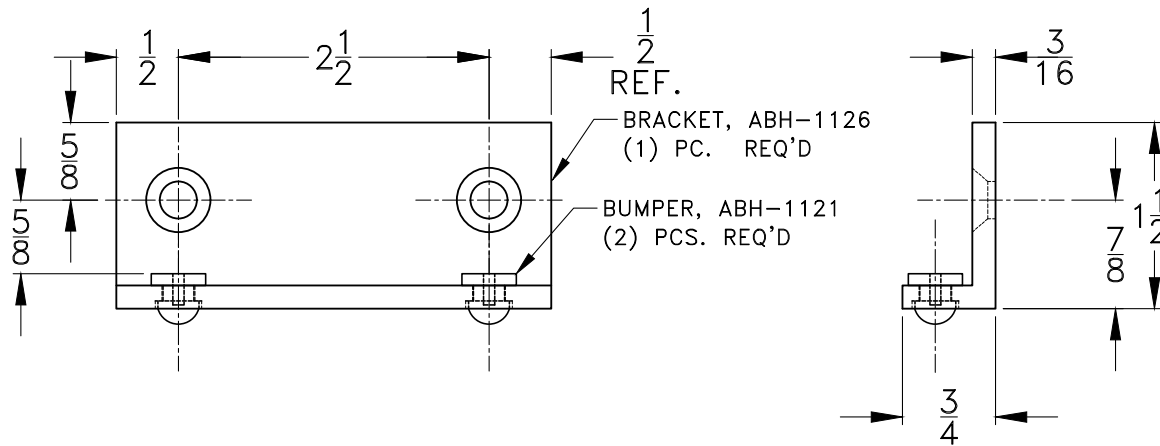
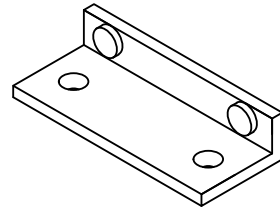
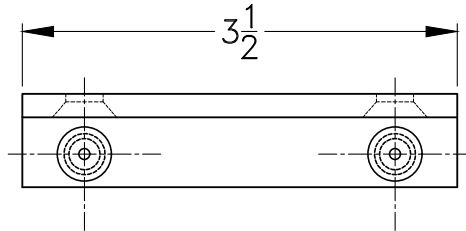


1801 APPLIED STOP

FOR USE WITH SINGLE OR PAIR DOORS WITHOUT STOP



INSTALLATION:

1. PLACE STOP IN DESIRED LOCATION IN HEADER WIDTH, SEE FRONT VIEW
2. PLACE RUBBER BUMPER OF STOP AGAINST DOOR AND 1801 BODY AGAINST HEADER, SEE SIDE VIEW
3. MARK SCREW HOLE LOCATION ON HEADER (SHOULD BE 1" OFF THE FACE OF THE DOOR)
4. PREPARE MOUNTING HOLES FOR #14 X 1-1/2" F.H.W.S. OR 1/4-20 X 3/4" F.H.M.S.
5. MOUNT STOP WITH (2) #14 X 1-1/2" F.H.W.S. OR (2) 1/4-20 X 3/4" F.H.M.S.



www.abhmf.com
 E-mail: abhinfo@abhmf.com
 Architectural Builders Hardware Mfg., Inc.
 1222 Ardmore Ave., Itasca, IL 60143
 630.875.9900; FAX 800.9FAXABH (932.9224)

© 2022 ABH Mfg., Inc.
 printed in USA

1801-02.DWG

1801

PAGE 1 OF 1
 REVISED 03-29-22