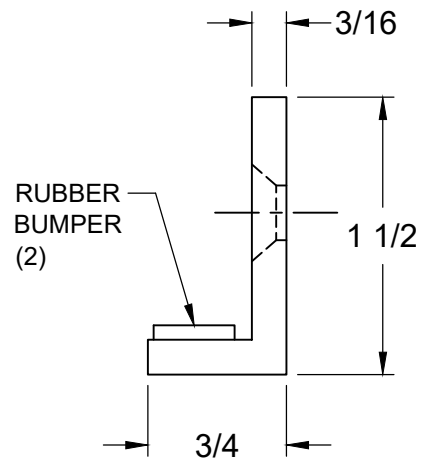
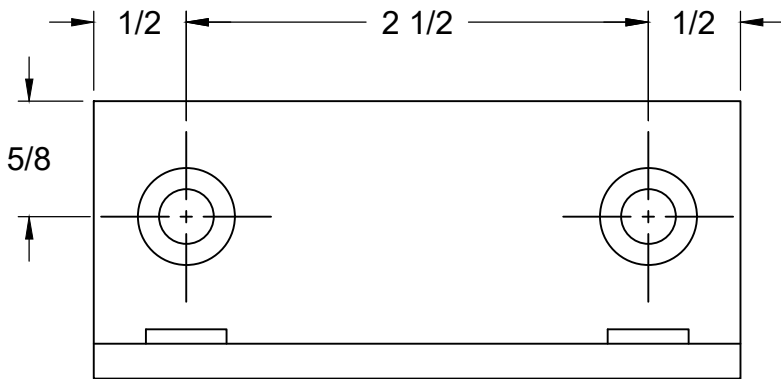
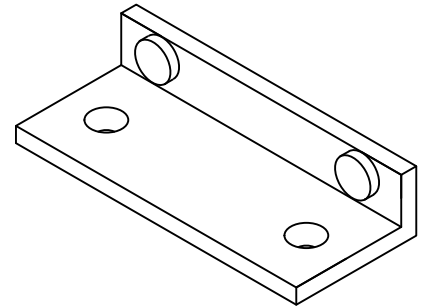
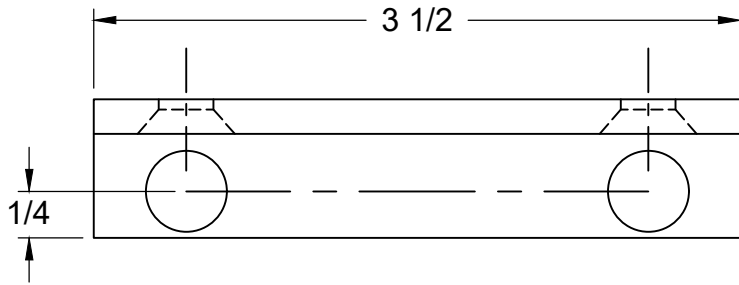


1801 APPLIED STOP

FOR USE WITH SINGLE OR PAIR DOORS WITHOUT STOP



INSTALLATION:

1. PLACE STOP IN DESIRED LOCATION AND LOCATE MOUNTING HOLES.
2. PREPARE MOUNTING HOLES.
3. MOUNT STOP WITH (2) #14 X 1-1/2" F.H.W.S. OR (2) 1/4-20 X 3/4" F.H.M.S.