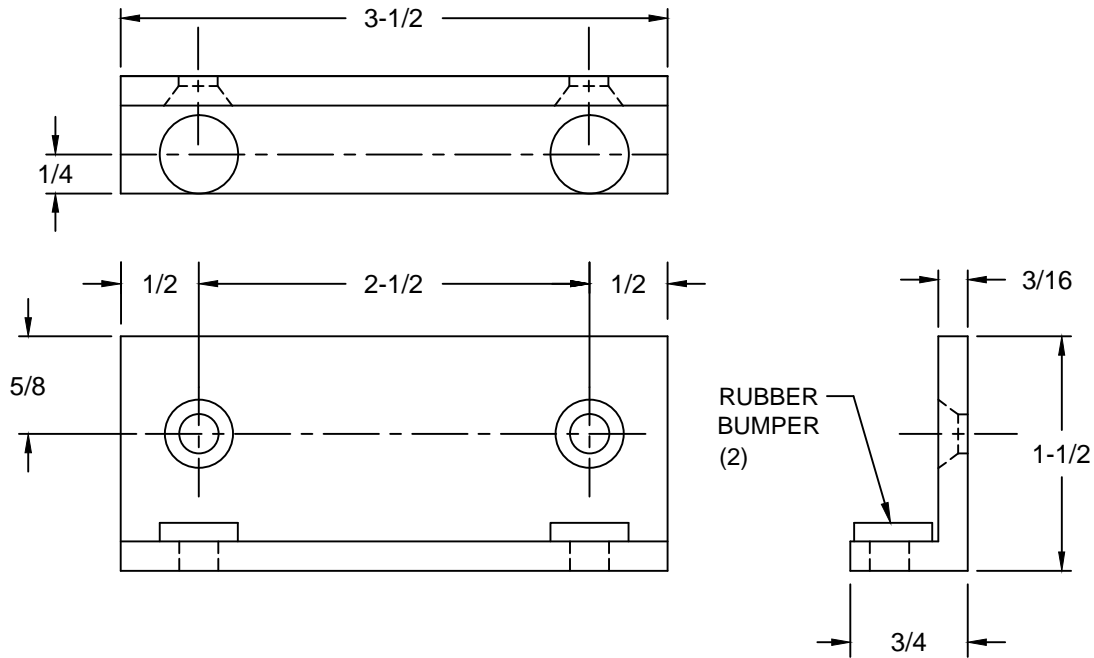


1801 APPLIED STOP

FOR USE WITH SINGLE OR PAIR DOORS WITHOUT STOP



INSTALLATION:

1. PLACE STOP IN DESIRED LOCATION AND LOCATE MOUNTING HOLES.
2. PREPARE MOUNTING HOLES.
3. MOUNT STOP WITH (2) #12 X 1-1/2" F.H.W.S. OR (2) 12-24 X 3/4" F.H.M.S.



www.abhmfg.com
 E-mail: abhinfo@abhmfg.com
 Architectural Builders Hardware Mfg., Inc.
 1222 Ardmore Ave., Itasca, IL 60143
 630.875.9900; FAX 800.9FAXABH (932.9224)

ABH is a minority owned and operated manufacturing company.

©2004 ABH Mfg., Inc. printed in USA

1801-00.DWG

1801

PAGE 1 OF 1
ISSUED 06-18-04