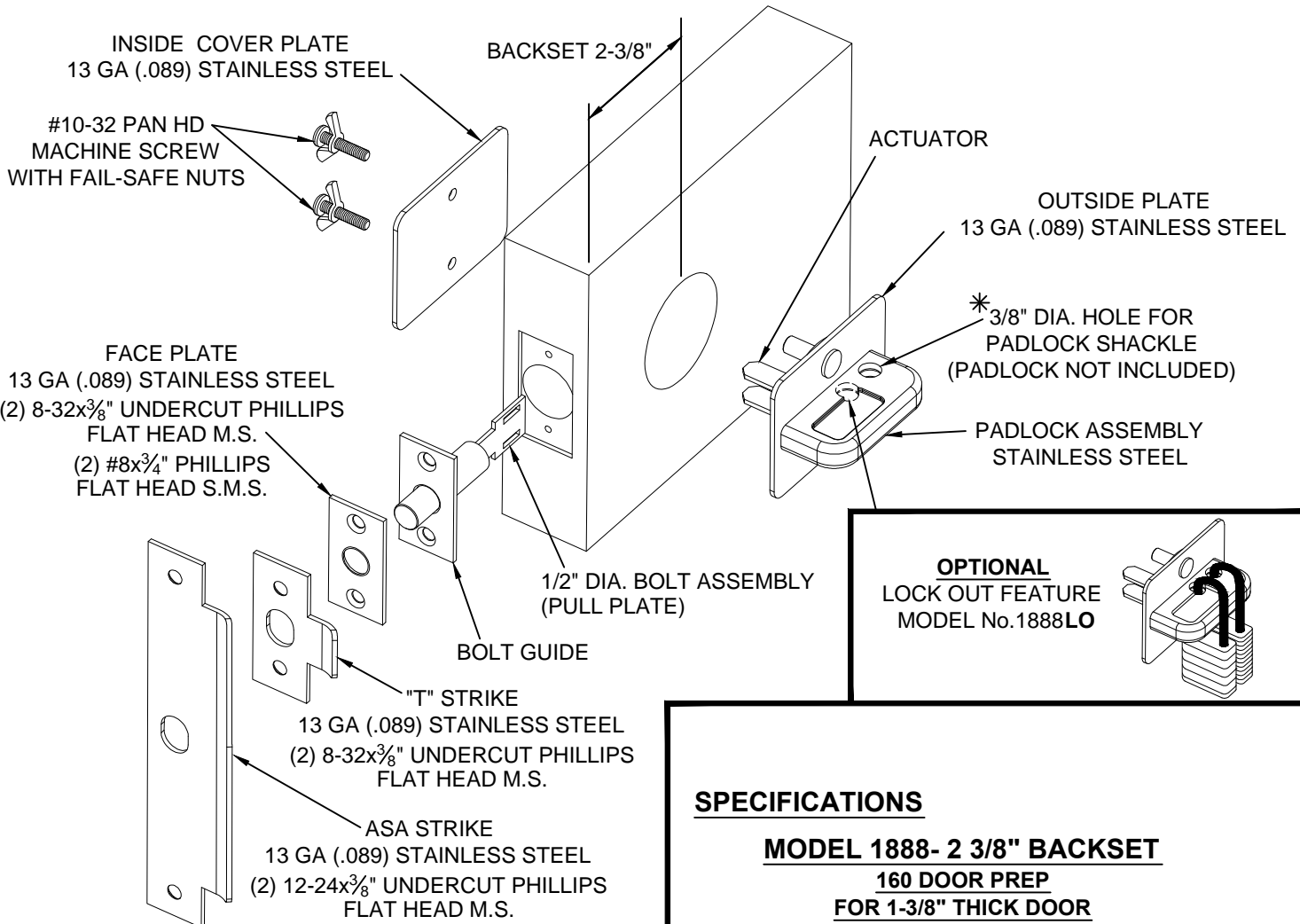


# 1888 SLIDEBOLT PADLOCK LATCH

## FOR 160 PREP

### PATENT PENDING



#### INSTALLATION:

1. PREP THE DOOR ACCORDING TO YOUR MODEL ORDERED.
2. INSERT THE BOLT ASSEMBLY INTO THE BOLT GUIDE AND PLACE THE FACE PLATE ONTO BOLT GUIDE AND SCREW THE ASSEMBLY TO THE DOOR USING THE PROPER SCREW FOR THE APPLICATION.
3. PLACE THE PADLOCK ASSEMBLY ON THE CORRECT SIDE OF THE DOOR MAKING SURE THE ACTUATOR GOES THRU THE SQUARE HOLES THAT ARE ON THE BOLT ASSEMBLY. \*PADLOCK ASSEMBLY MUST BE INSTALLED WITH 3/8" HOLE ON OPPOSITE SIDE OF LATCH (AS SHOWN IN PICTURE)
4. PLACE THE INSIDE COVER PLATE ON THE OPPOSITE SIDE OF THE DOOR AND SCREW TOGETHER WITH THE 10-32 SCREWS WITH FAIL-SAFE NUT. CHECK FOR PROPER OPERATION BEFORE TIGHTING THE SCREWS.

#### SPECIFICATIONS

##### **MODEL 1888- 2 3/8" BACKSET** **160 DOOR PREP** **FOR 1-3/8" THICK DOOR**

- 1/2" DIA. STAINLESS STEEL BOLT W/ 5/8" THROW.
- PADLOCK ASSEMBLY: STAINLESS STEEL CASTING WITH NYLON INSTALLATION GUIDE.
- INSIDE COVER PLATE: STAINLESS STEEL.
- HANDING: REVERSIBLE/NON-HANDED.
- STRIKE: 13 GAUGE (.089) STAINLESS STEEL  
4-7/8" ASA OR 2-3/4" T STRIKE.



® www.abhmfg.com  
E-mail: abhinfo@abhmfg.com  
Architectural Builders Hardware Mfg., Inc.  
1222 Ardmore Ave., Itasca, IL 60143  
630.875.9900; FAX 800.9FAXABH (932.9224)

©2014 ABH Mfg., Inc.  
printed in USA

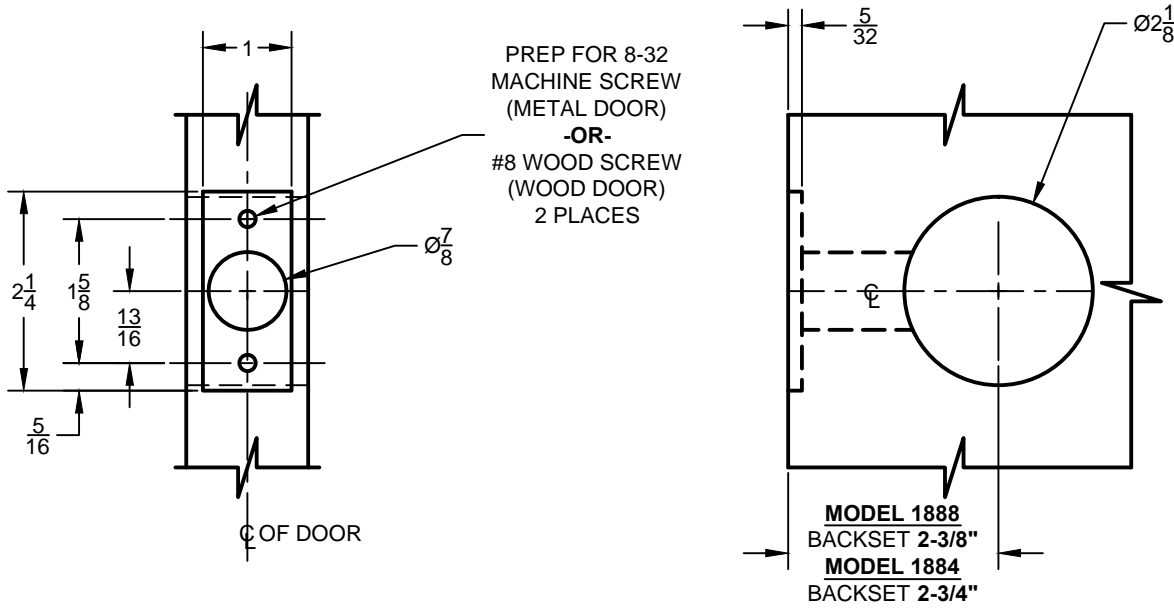
1888 SLIDEBOLT INSTALLATION-1-01.DWG

1888

PAGE 1 OF 2  
REVISED 07-12-14

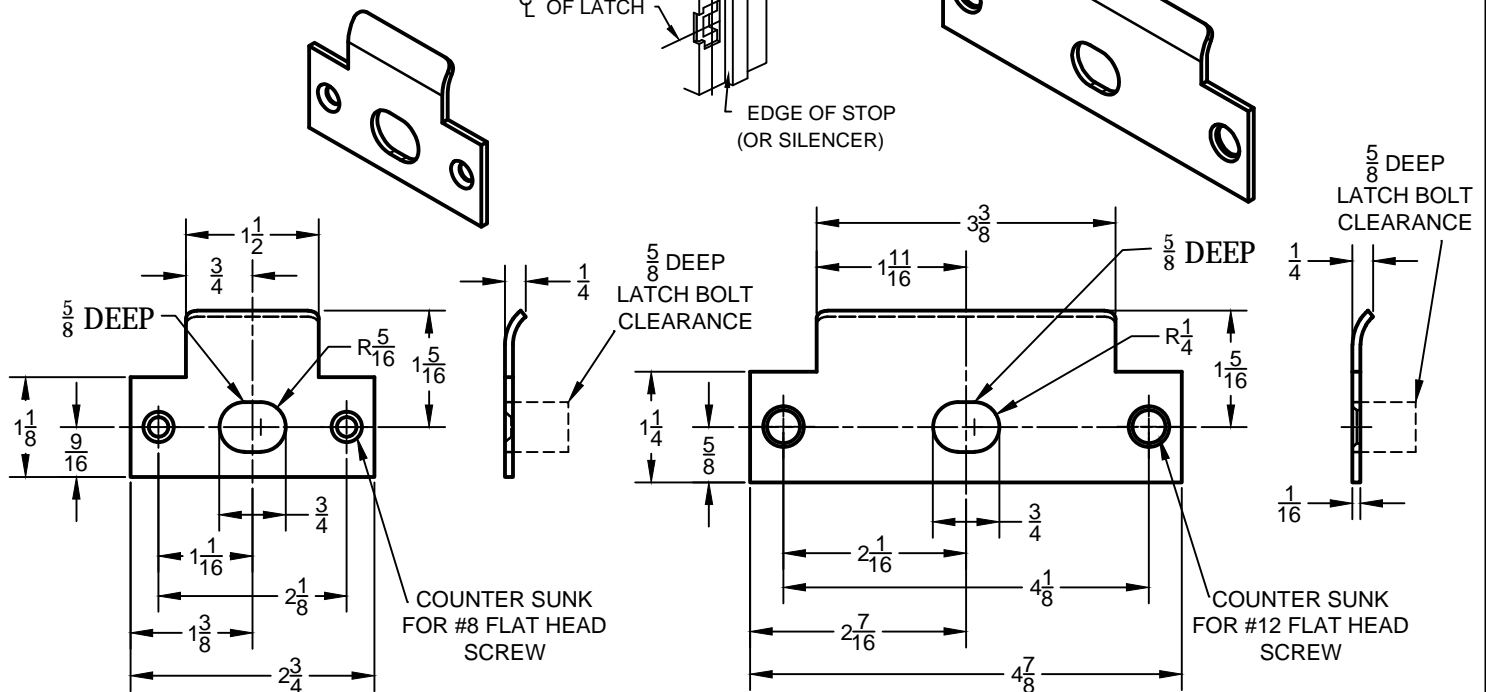
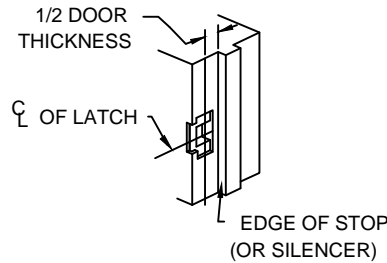
# 1888 SLIDEBOLT PADLOCK LATCH

## FOR 160 PREP FOR 1-3/8" THICK DOOR



### FRAME PREP

1. Mark centerline of latch bolt on frame.
2. Center strike and mark screw positions.
3. Mortise to required strike and box depth.



1880 SLIDEBOLT INSTALLATION-2-01.DWG



www.abhmfg.com  
 E-mail: abhinfo@abhmfg.com  
 Architectural Builders Hardware Mfg., Inc.  
 1222 Ardmore Ave., Itasca, IL 60143  
 630.875.9900; FAX 800.9FAXABH (932.9224)

©2014 ABH Mfg., Inc.  
 printed in USA

**1888**  
 PAGE 2 OF 2  
 REVISED 07-12-14