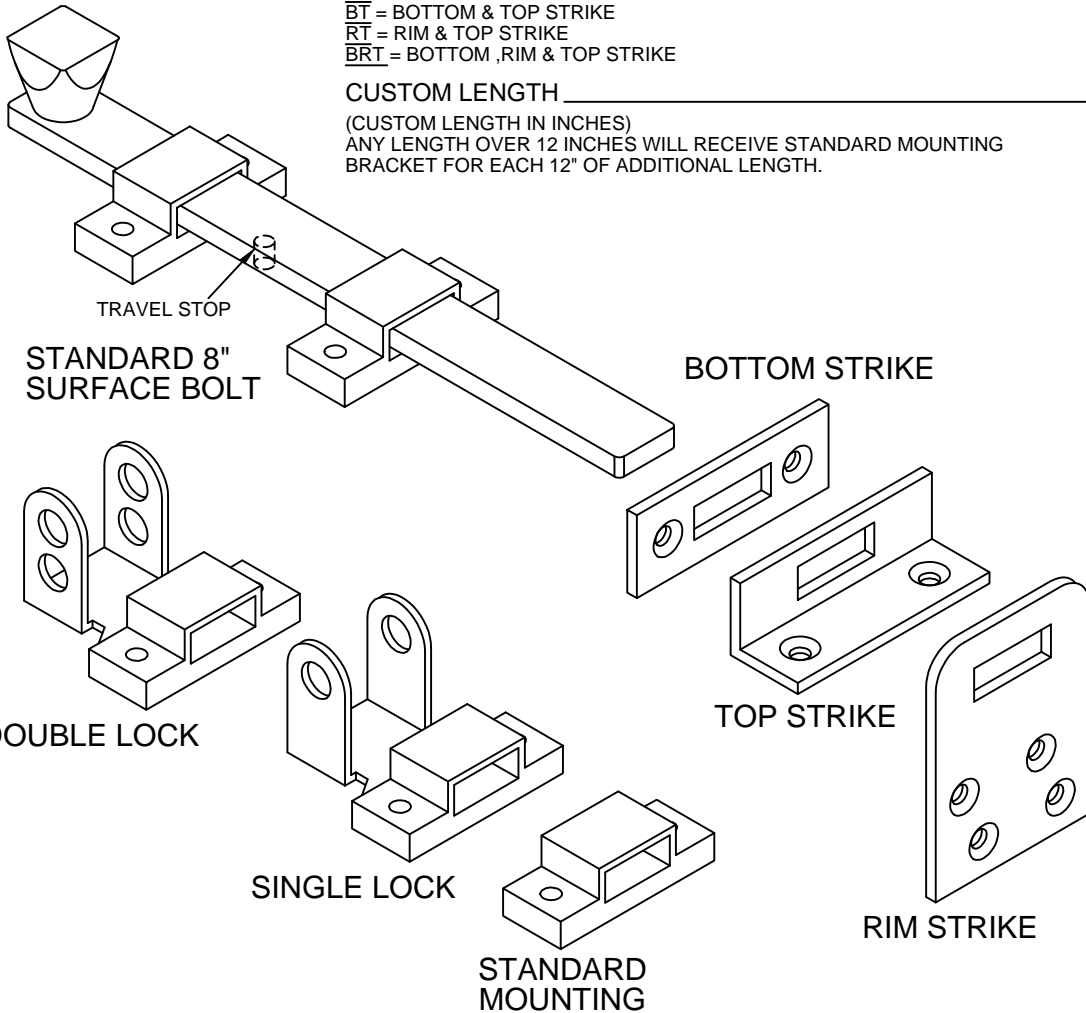


# SURFACE BOLT

**EXPLANATION:**

		N 18		5		-
FINISH _____						
N = STAINLESS STEEL						
SERIES _____						
BOLT LENGTH _____						
1 = 8" LONG						
2 = 12" LONG						
3 = CUSTOM LENGTH (CONSULT FACTORY AND SEE NUMBER AT THE END OF THE EXPLANATION FOR TOTAL BAR LENGTH, LENGTH IN INCHES)						
SERIES NUMBER _____						
MOUNTING BRACKETS TYPES _____						
1 = 2 STANDARD MOUNTING BRACKETS						
2 = 1 STANDARD, 1 SINGLE LOCK						
3 = 1 STANDARD, 1 DOUBLE LOCK						
STRIKES _____						
B = BOTTOM STRIKE						
R = RIM STRIKE						
T = TOP STRIKE						
BR = BOTTOM & RIM STRIKE						
BT = BOTTOM & TOP STRIKE						
RT = RIM & TOP STRIKE						
BRT = BOTTOM, RIM & TOP STRIKE						
CUSTOM LENGTH _____						

(CUSTOM LENGTH IN INCHES)  
 ANY LENGTH OVER 12 INCHES WILL RECEIVE STANDARD MOUNTING BRACKET FOR EACH 12" OF ADDITIONAL LENGTH.



[www.abhmfg.com](http://www.abhmfg.com)  
 E-mail: [abhinfo@abhmfg.com](mailto:abhinfo@abhmfg.com)  
 Architectural Builders Hardware Mfg., Inc.  
 1222 Ardmore Ave., Itasca, IL 60143  
 630.875.9900; FAX 800.9FAXABH (932.9224)

©2014 ABH Mfg., Inc.  
 printed in USA

N1805-1-03.DWG

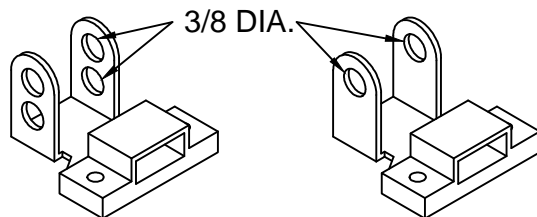
N1805

PAGE 1 OF 2  
 REVISED 04-22-14

# SURFACE BOLT

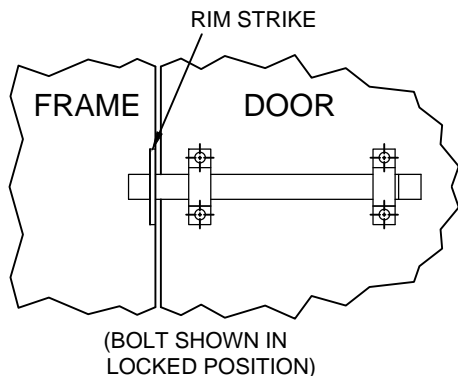
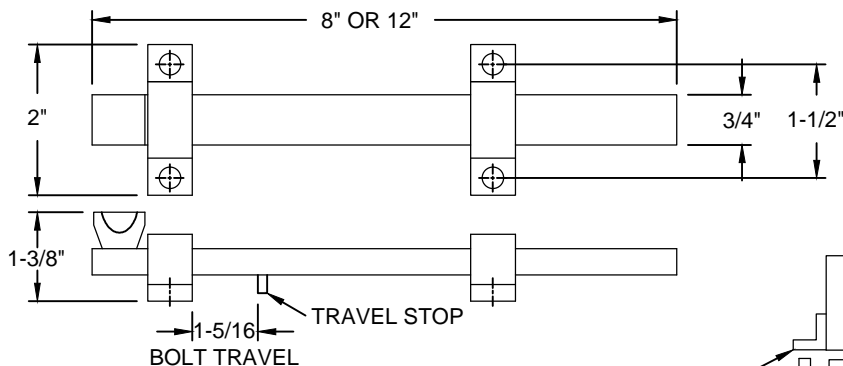
## INSTRUCTIONS FOR SURFACE BOLT

1. DETERMINE ON WHICH SIDE OF DOOR BOLT IS TO BE FASTENED
2. PREPARE DOOR FOR BRACKET ASSEMBLY SCREW HOLE LOCATION
3. ATTACH MOUNTING BRACKET ASSEMBLIES TO DOOR
4. ALIGN STRIKE WITH BOLT AND ATTACH TO FLOOR OR FRAME



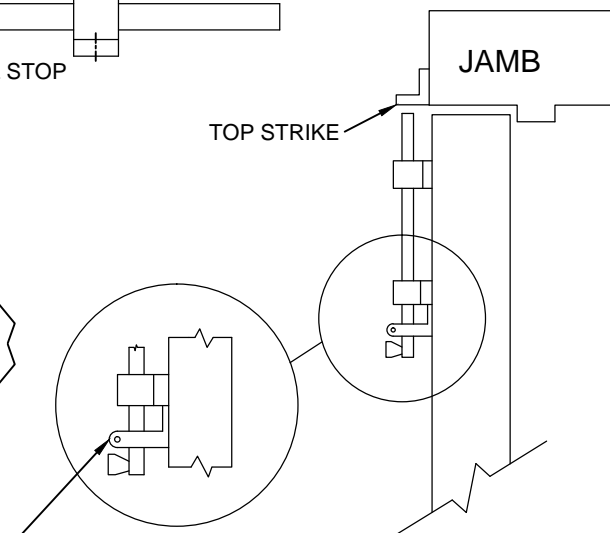
**DOUBLE LOCK**

**SINGLE LOCK**



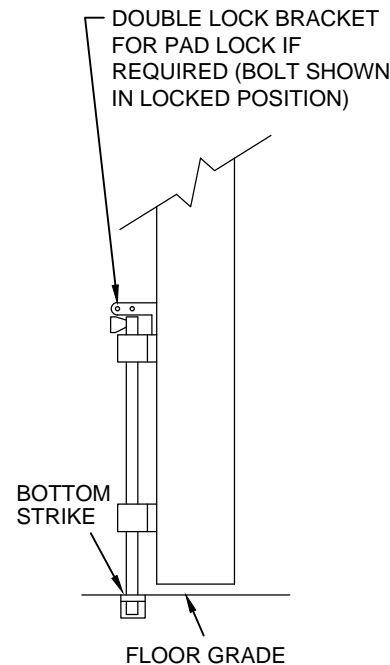
(BOLT SHOWN IN LOCKED POSITION)

**RIM STRIKE**



SINGLE LOCK BRACKET FOR PAD LOCK IF REQUIRED (BOLT SHOWN IN UNLOCKED POSITION)

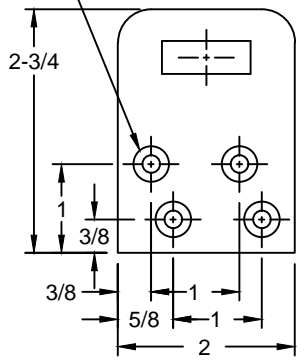
**TOP STRIKE**



**BOTTOM STRIKE**

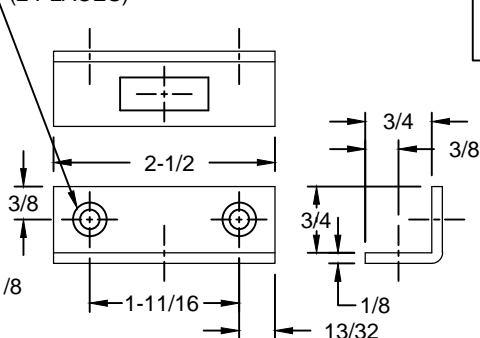
SCREWS DETAIL	
<b>BOLT-</b>	(4) 10-32 X 1-1/2" PHILLIPS TRUSS HEAD M.S.
	(4) #10 X 1-1/4 PHILLIPS PAN HEAD W.S.
<b>BOTTOM &amp; TOP STRIKE-</b>	(2) 10-32 X 1-1/2" PHILLIPS FLAT HEAD M.S.
	(2) #10 X 1-1/2 PHILLIPS FLAT HEAD W.S.
<b>RIM STRIKE-</b>	(4) 10-32 X 1-1/2" PHILLIPS FLAT HEAD M.S.
	(4) #10 X 1-1/2 PHILLIPS FLAT HEAD W.S.

COUNTERSUNK FOR #10 FLAT HEAD SCREW (4 PLACES)

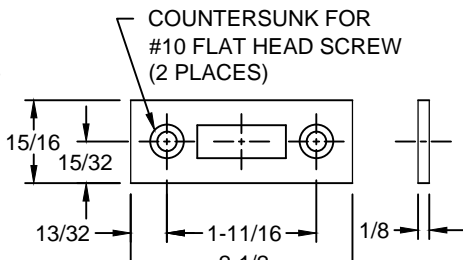


**RIM STRIKE**

COUNTERSUNK FOR #10 FLAT HEAD SCREW (2 PLACES)



**TOP STRIKE**



**BOTTOM STRIKE**



® www.abhmfg.com  
 E-mail: abhinfo@abhmfg.com  
 Architectural Builders Hardware Mfg., Inc.  
 1222 Ardmore Ave., Itasca, IL 60143  
 630.875.9900; FAX 800.9FAXABH (932.9224)

©2014 ABH Mfg., Inc.  
 printed in USA

**N1805**

PAGE 2 OF 2  
 REVISED 04-22-14

N1805-2-03.DWG