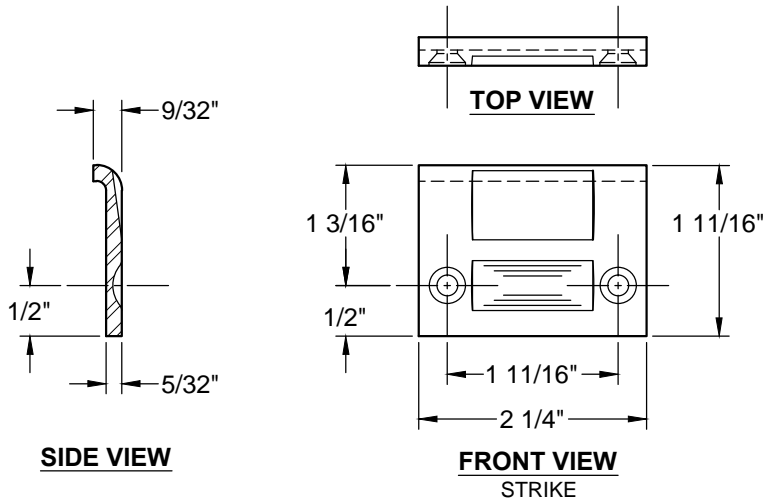
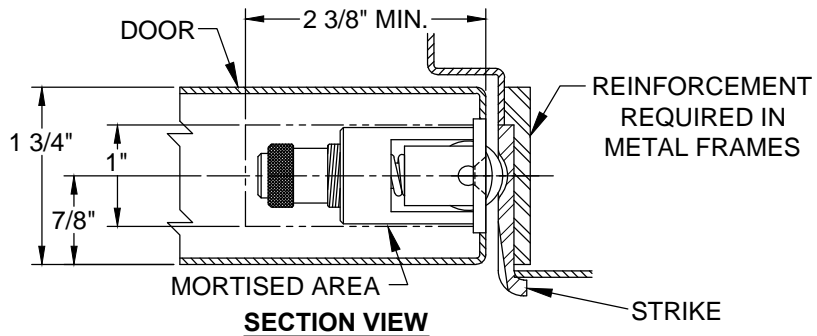
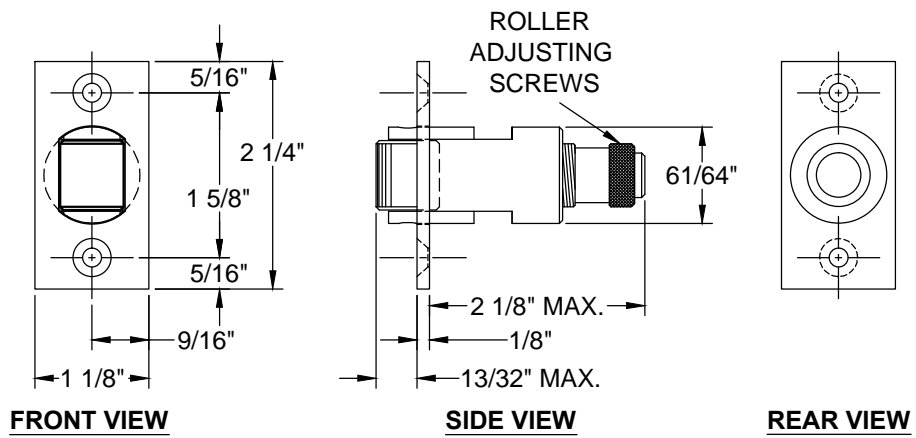


# 1897 ROLLER LATCH WITH STRIKE



SCREW DETAIL		
	QTY	DESCRIPTION
BODY	2	#10 x $\frac{3}{4}$ " F.H. S.M.S.
STRIKE	2	#8 x $\frac{3}{4}$ " F.H. S.M.S.

DO NOT SCALE DRAWING



© www.abhmfg.com  
 E-mail: abhinfo@abhmfg.com  
 Architectural Builders Hardware Mfg., Inc.  
 1222 Ardmore Ave., Itasca, IL 60143  
 630.875.9900; FAX 800.9FAXABH (932.9224)

©2007 ABH Mfg., Inc.  
printed in USA

1897-00.DWG

# 1897

PAGE 1 OF 1  
ISSUED 11-30-07