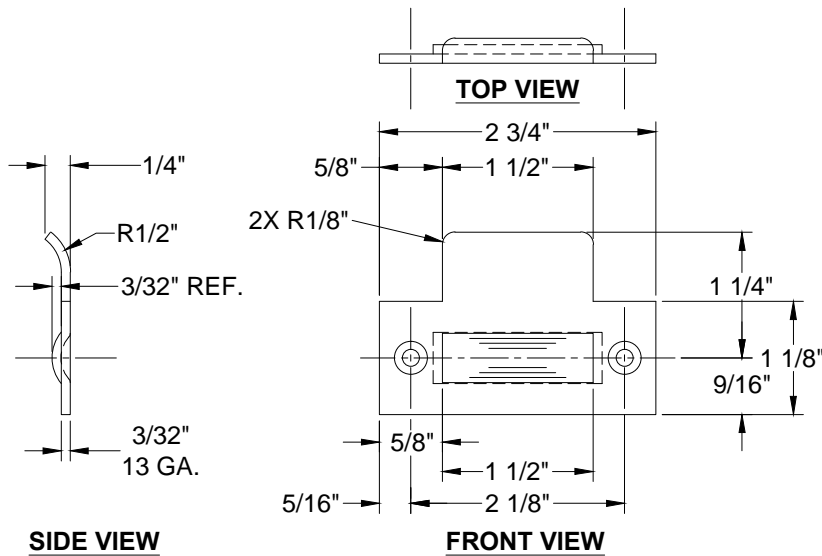
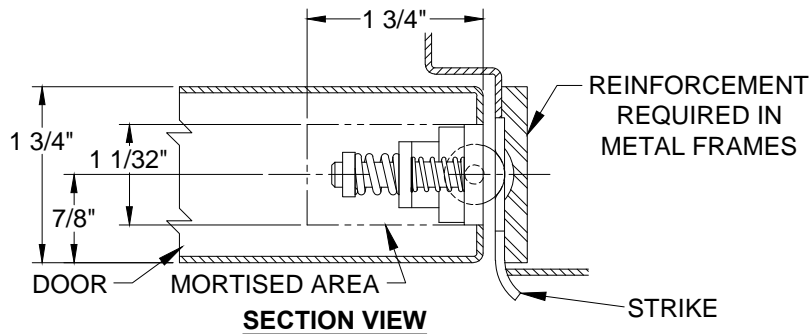
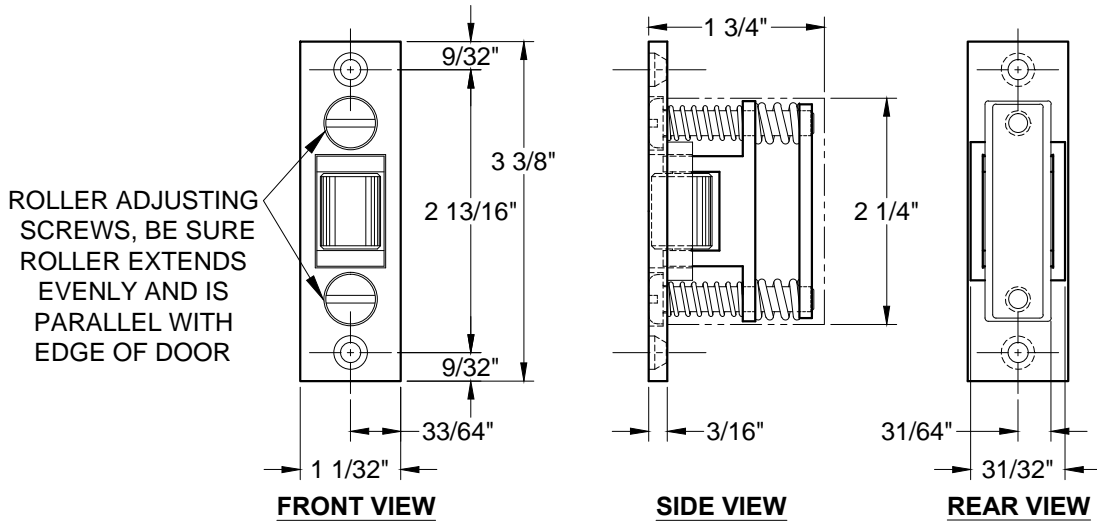


1892 ROLLER LATCH WITH STRIKE



SCREW DETAIL		
	QTY	DESCRIPTION
BODY	2	#10 x 3/4" F.H. S.M.S.
STRIKE	2	#8 x 3/4" F.H. S.M.S.

DO NOT SCALE DRAWING



® www.abhmfg.com
 E-mail: abhinfo@abhmfg.com
 Architectural Builders Hardware Mfg., Inc.
 1222 Ardmore Ave., Itasca, IL 60143
 630.875.9900; FAX 800.9FAXABH (932.9224)

© 2009 ABH Mfg., Inc.
 printed in USA

1892-03.DWG

1892

PAGE 1 OF 1
 REVISED 09-28-09