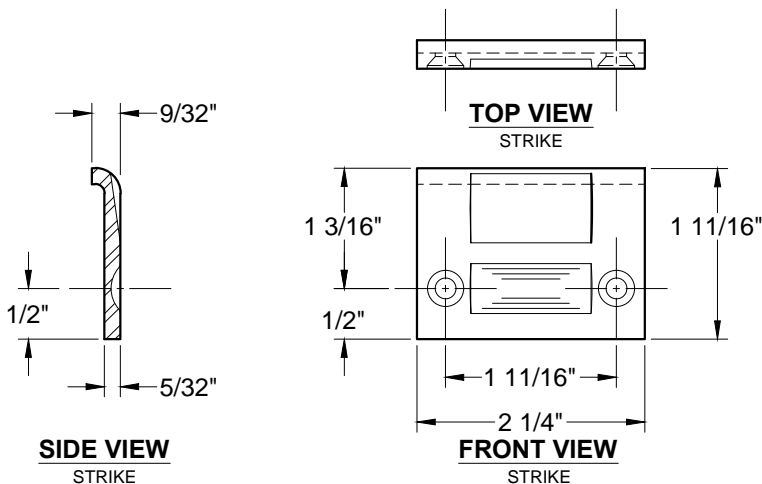
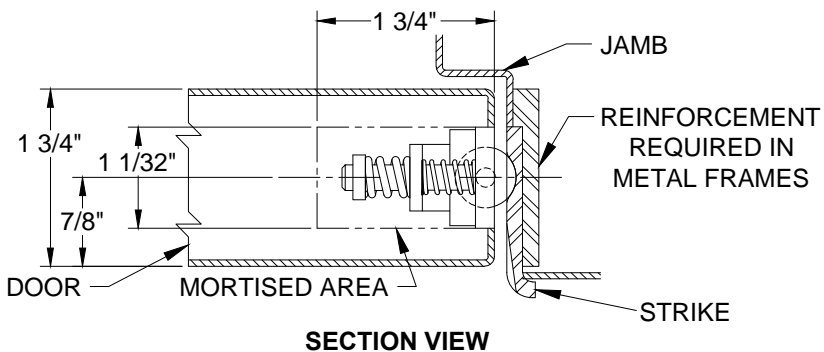
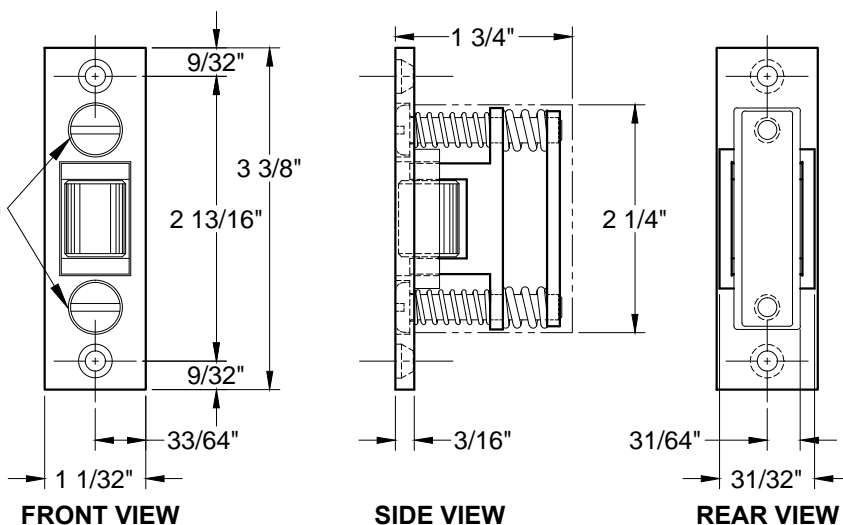


1890 ROLLER LATCH WITH STRIKE

ROLLER ADJUSTING SCREWS, BE SURE ROLLER EXTENDS EVENLY AND IS PARALLEL WITH EDGE OF DOOR



SCREW DETAIL			
	QTY	WOOD	METAL
BODY	2	#10 x 3/4" F.H.S.M.S.	10-24 x 3/4" F.H.M.S.
STRIKE	2	#8 x 3/4" F.H.S.M.S.	8-32 x 3/8" F.H.M.S. U/C

DO NOT SCALE DRAWING



® www.abhmfg.com
 E-mail: abhinfo@abhmfg.com
 Architectural Builders Hardware Mfg., Inc.
 1222 Ardmore Ave., Itasca, IL 60143
 630.875.9900; FAX 800.9FAXABH (932.9224)

© 2018 ABH Mfg., Inc.
 printed in USA

1890-02.DWG

1890

PAGE 1 OF 1
 REVISED 05-17-18