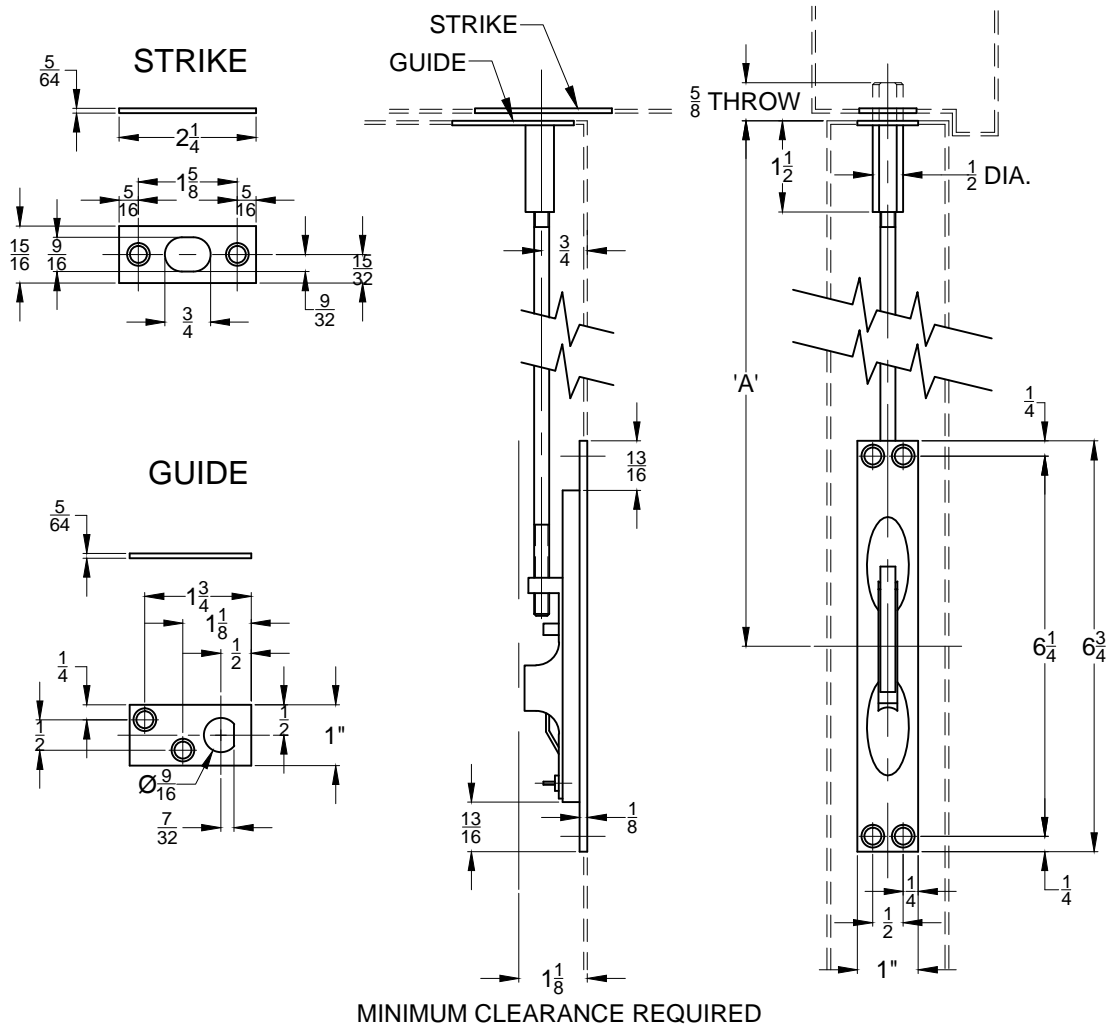


1855 MANUAL FLUSH BOLTS METAL DOOR APPLICATION



A	SPECIFY						
	6	9	12	18	24	30	36

SCREW DETAILS: BOLT HOUSING - (4) 8 - 32 x 1-1/2" F.H. COMB SCREW
 STRIKE - (2) 8-32 x 11/16" F.H. COMB SCREW
 GUIDE - (2) 8 - 32 x 11/16" F.H. COMB SCREW



www.abhmfg.com
 E-mail: abhinfo@abhmfg.com
 Architectural Builders Hardware Mfg., Inc.
 1222 Ardmore Ave., Itasca, IL 60143
 630.875.9900; FAX 800.9FAXABH (932.9224)

ABH is a minority owned and operated manufacturing company.

©2004 ABH Mfg., Inc.
printed in USA

1855-00.DWG

1855

PAGE 1 OF 1
ISSUED 06-04-04