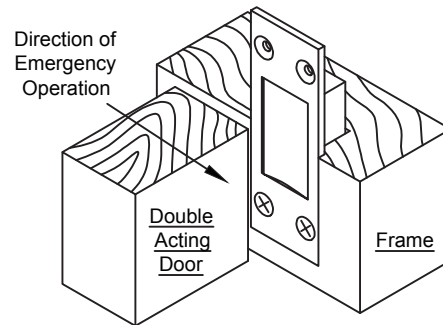
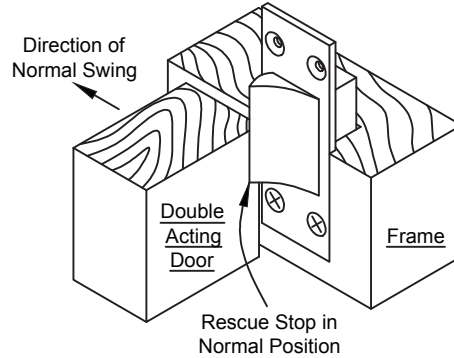


4590 - Rescue Stop

Standard Features

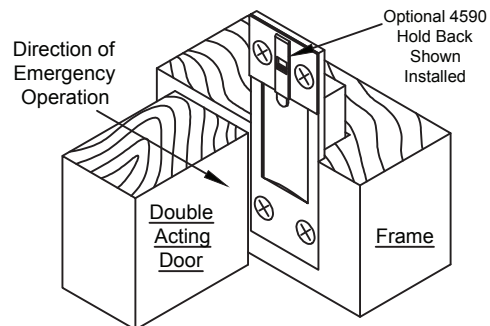
- Intended for use in hospital or nursing home patient bathroom doors
- Converts double-acting door to single-acting door
- Allows door to swing open in opposite direction if something or someone obstructs the normal swing of the door
- Pushing in on the spring loaded stop allows emergency operation of the door
- Stop automatically returns to normal position when released (spring-loaded)
- Standard fasteners provided:
 - 10-32 flat head machine screws
 - #10 flat head wood screws
- Available in US32D, US32, US10B, US10, US3 and US4 finishes - Contact factory for custom finish
- Meets ANSI Spec A1882



Rescue Stop may be
Depressed Manually to allow Door to
Open in Opposite Direction

OR

By using the Optional Hold Back Plate & Clip by
Sliding Down the Hold Back Clip (Shown below)



4590

Hold Back Plate & Clip
(Provided Standard, But Optional to Install)

