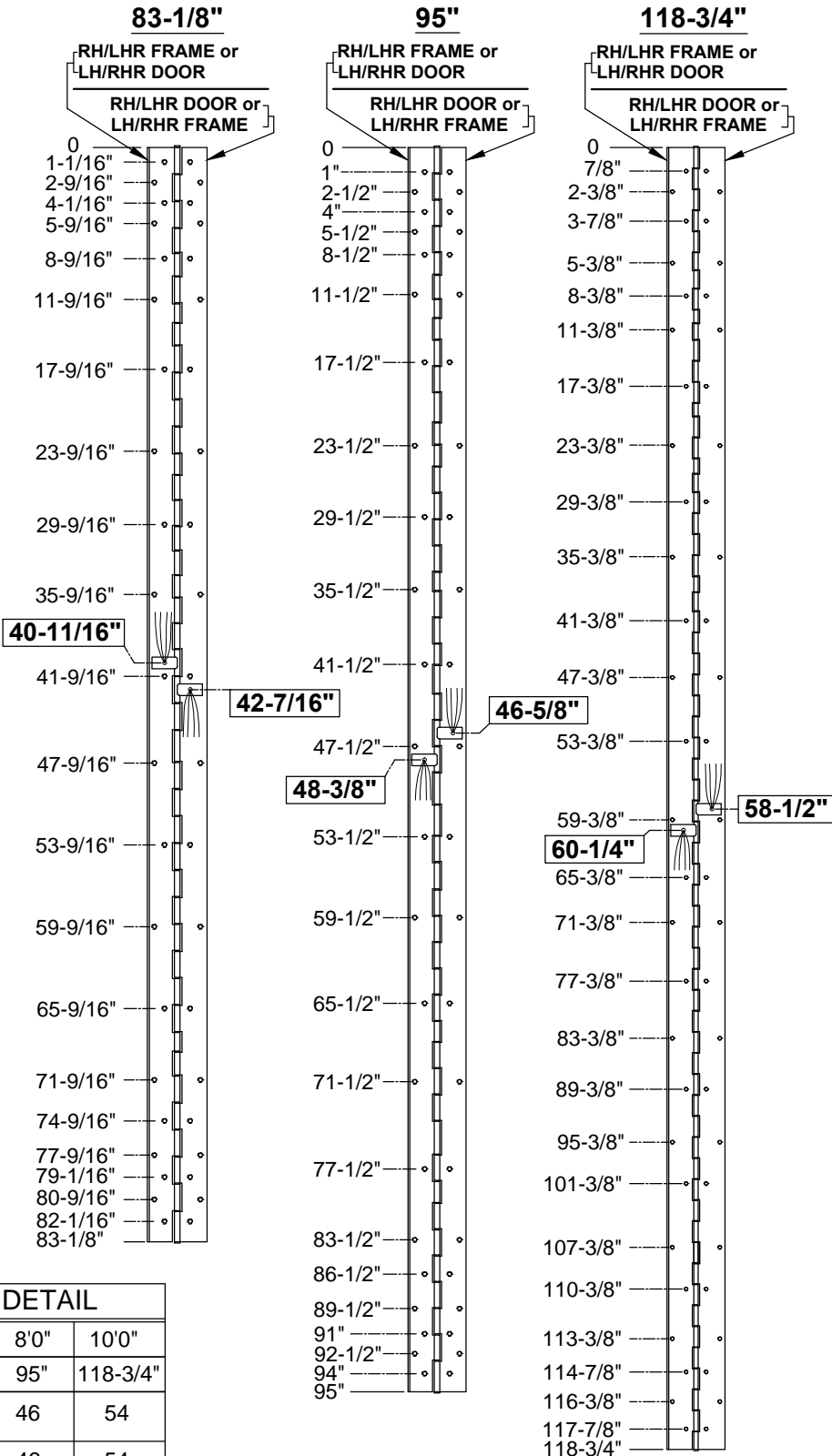
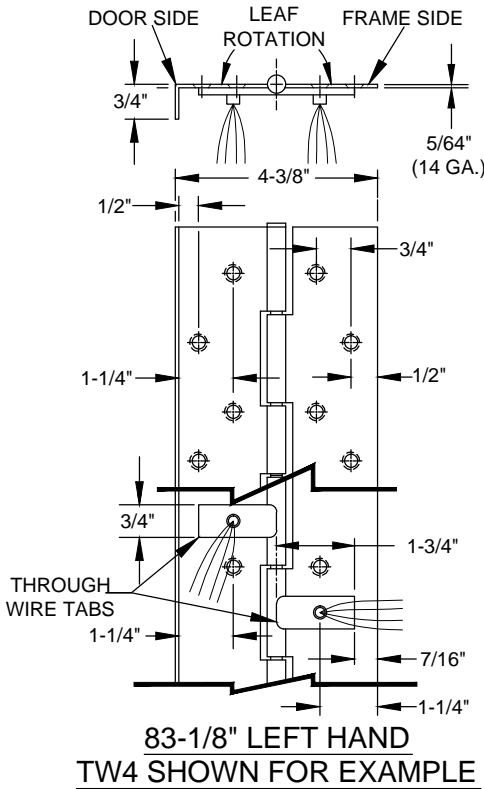


**A515 - "TW" or "EZ" OPTION, CONCEALED ELECTRIFICATION, FULL CONCEALED, SINGLE EDGE GUARD, STAINLESS STEEL HINGE**



**NOTES:**

1. HINGES CUT TO CUSTOM LENGTH ARE CUT FROM BOTTOM OF HINGE.
2. SPECIFY HANDING WHEN ORDERING.
3. SPECIFY WIRE CONFIGURATION WHEN ORDERING, TEMPLATE REMAINS THE SAME.
  - CT4                      • CT4 x EZ \*
  - CT8                      • CT8 x EZ \*
  - CT12                     • CT12 x EZ \*
- \* SPECIFY ELECTRIFIED HARDWARE MANUFACTURER FOR CONNECTOR COMPABILITY
4. IF "M" OPTION (MOVEABLE PANEL) IS CHOSEN, TEMPLATE REMAINS THE SAME.
5. 30 AWG WIRES, APPROX. 4" LONG PER SIDE, RATED 2 AMP CONTINUOUS LOW VOLTAGE.
6. THRU WIRE LOCATION DIMENSIONS +/- 1/16".

STANDARD HINGE SIZES & SCREW DETAIL			
NOMINAL DOOR HEIGHT	7'0"	8'0"	10'0"
ACTUAL HINGE HEIGHT	83-1/8"	95"	118-3/4"
10-24 x 7/8" PHILLIPS FLAT HEAD, UNDERCUT, SELF-DRILLING MACHINE SCREW	42	46	54
#10 x 1-1/4" PHILLIPS FLAT HEAD, UNDERCUT, SHEET METAL SCREW	42	46	54

THIS DRAWING IS NOT TO SCALE.

A515-TW or EZ OPTION, CONCEALED ELECTRIFICATION-1-01.DWG



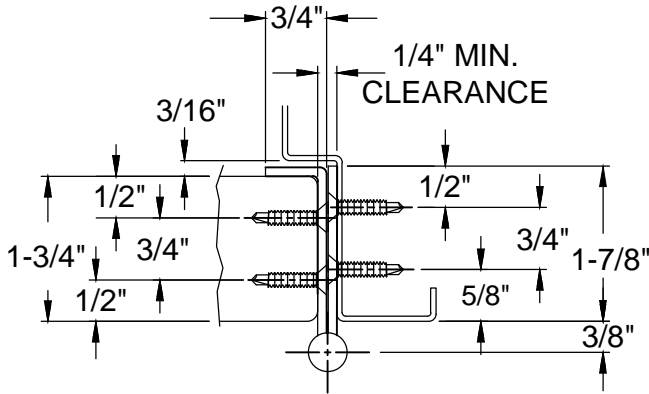
www.abhmfg.com  
 E-mail: abhinfo@abhmfg.com  
 Architectural Builders Hardware Mfg., Inc.  
 1222 Ardmore Ave., Itasca, IL 60143  
 630.875.9900; FAX 800.9FAXABH (932.9224)

**A515 - "TW" or "EZ" OPTION  
 CONCEALED ELECTRIFICATION**

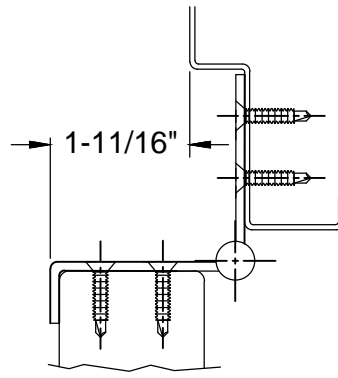
©2017 ABH Mfg., Inc.  
 printed in USA

PAGE 1 OF 2  
 ISSUED 02-08-17

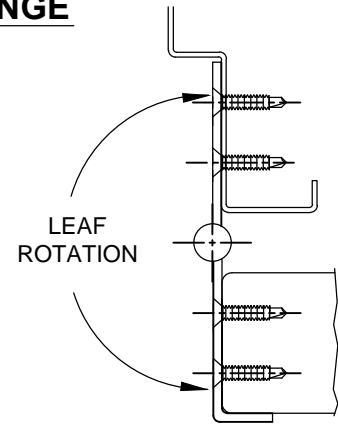
**A515 - "TW" or "EZ" OPTION, CONCEALED ELECTRIFICATION, FULL CONCEALED, SINGLE EDGE GUARD, STAINLESS STEEL HINGE**



**CLOSED POSITION**  
( WIRES NOT SHOWN)

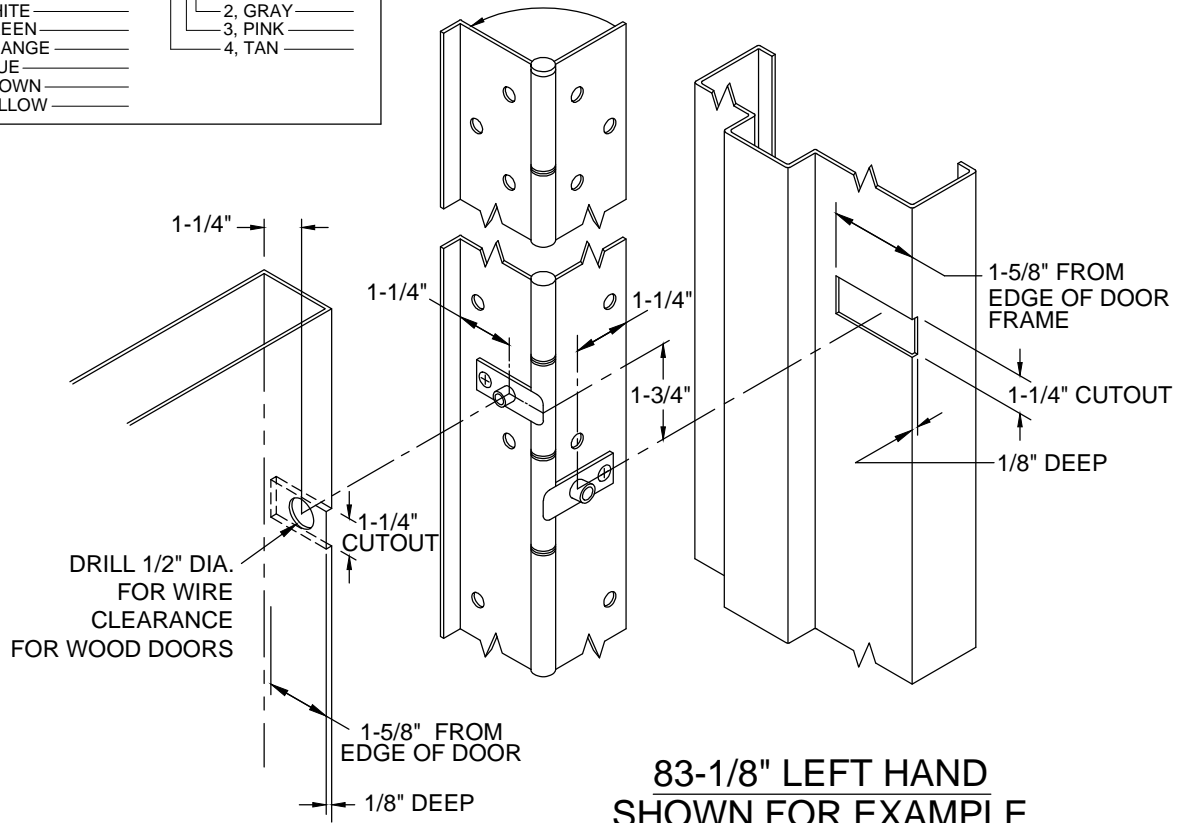
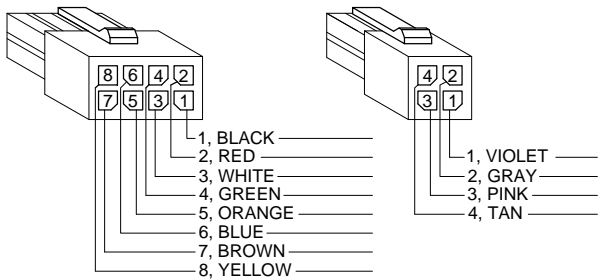


**90° OPEN POSITION**  
( WIRES NOT SHOWN)



**180° OPEN POSITION**  
( WIRES NOT SHOWN)

**EZ CONNECT OPTION**



**83-1/8" LEFT HAND**  
**SHOWN FOR EXAMPLE**

A515-TW or EZ OPTION, CONCEALED ELECTRIFICATION-2-01.DWG



www.abhmf.com  
E-mail: abhinfo@abhmf.com  
Architectural Builders Hardware Mfg., Inc.  
1222 Ardmore Ave., Itasca, IL 60143  
630.875.9900; FAX 800.9FAXABH (932.9224)

**A515 - "TW" or "EZ" OPTION**  
**CONCEALED ELECTRIFICATION**

©2017 ABH Mfg., Inc.  
printed in USA

PAGE 2 OF 2  
ISSUED 02-08-17