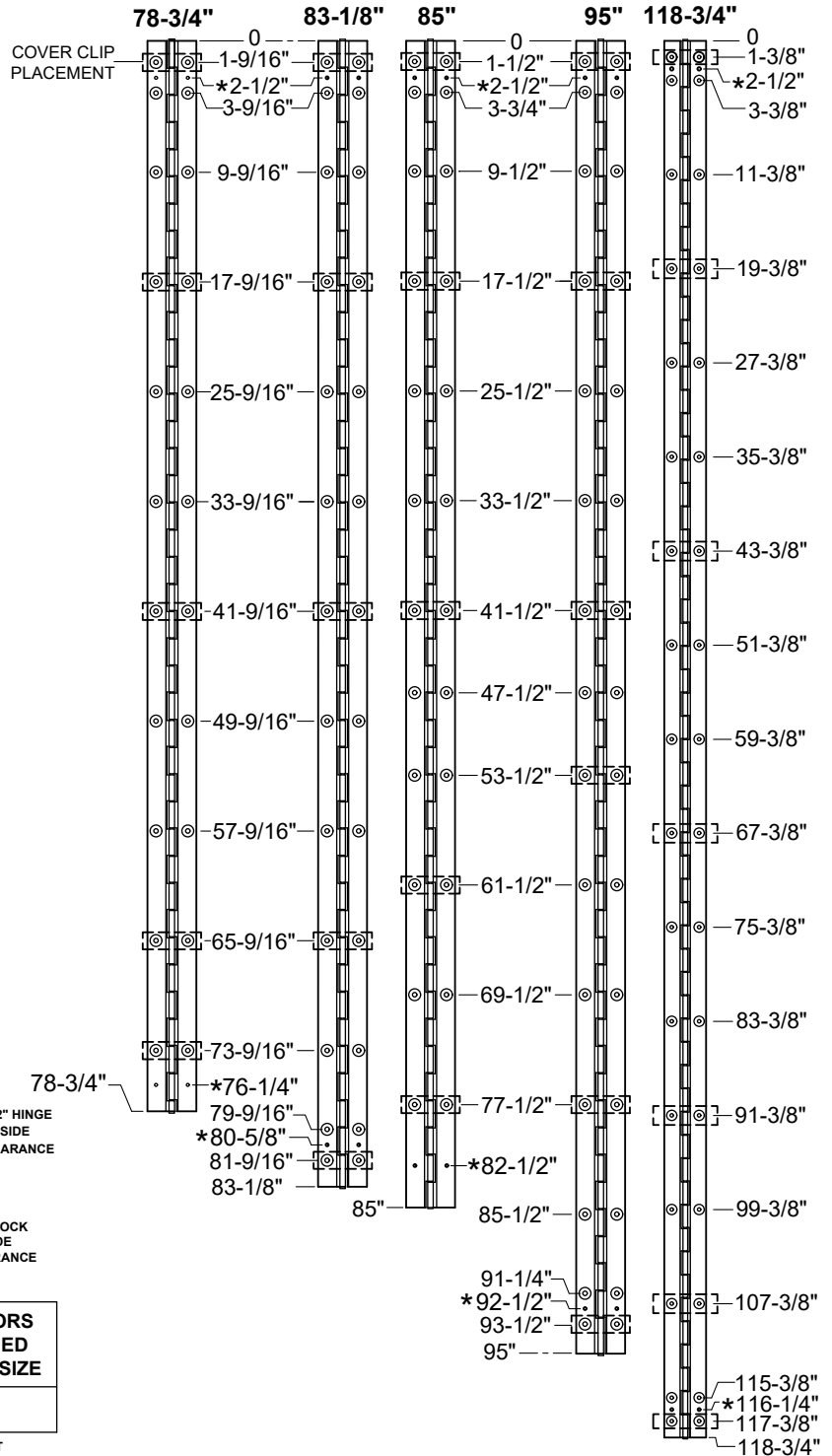
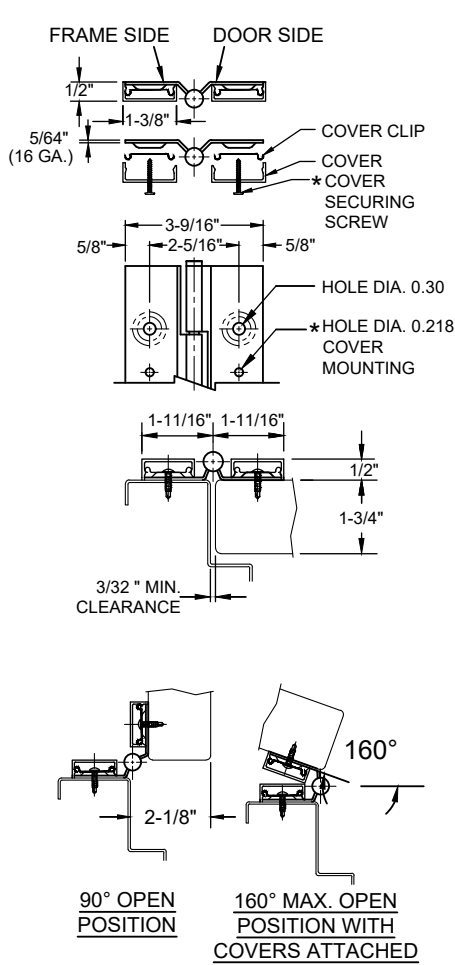
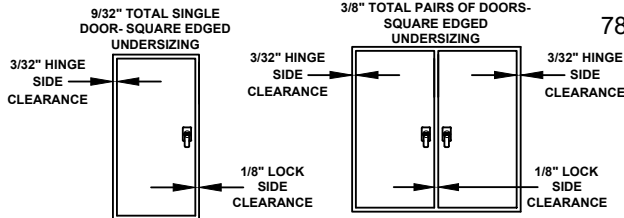


# A502 - STAINLESS STEEL HINGE, FULL SURFACE, FLUSH MOUNT



### TOTAL DOOR UNDERSIZING\*



HINGE MODEL	SINGLE DOOR- SQUARE EDGED TOTAL UNDERSIZE	PAIRS OF DOORS SQUARE EDGED TOTAL UNDERSIZE
A502	9/32"***	3/8"***

\*REFER TO WWW.ABHMFG.COM FOR COMPLETE DOOR CLEARANCE CHART  
 \*\* 1/16" FRAME IRREGULARITY INCLUDED(OPTIONAL)- NOT PERMITTED BY NFPA80  
 NOTE: BEVELED EDGE CLEARANCE IS TAKEN FROM THE HIGH SIDE OF THE DOOR

STANDARD HINGE SIZES & SCREW DETAIL					
NOMINAL DOOR HEIGHT	6'8"	7'0"	7'2"	8'0"	10'0"
ACTUAL HINGE HEIGHT	78-3/4"	83-1/8"	85"	95"	118-3/4"
1/4-20 x 3/4" PHILLIPS PAN HEAD, SELF-DRILLING, TEK MACHINE SCREW	26	26	26	30	34
COVER CLIP	10	10	10	12	14
# 6 x 1" FLAT HEAD SHEET METAL SCREW, PIN-IN-TORX (SECURE COVER)	4	4	4	4	4
SEX BOLT - OPTIONAL	13	13	13	15	17

**NOTE:**  
 HINGES CUT TO CUSTOM LENGTH ARE CUT FROM THE BOTTOM - A502 DOES NOT REQUIRE HANDING WHEN CUT.

NOTE: THIS DRAWING IS NOT TO SCALE.

A502-STAINLESS STEEL HINGE-03.DWG



www.abhmfg.com  
 E-mail: abhinfo@abhmfg.com  
 Architectural Builders Hardware Mfg., Inc.  
 1222 Ardmore Ave., Itasca, IL 60143  
 630.875.9900; FAX 800.9FAXABH (932.9224)

© 2022 ABH Mfg., Inc.  
 printed in USA

**A502**  
 STAINLESS STEEL HINGE

PAGE 1 OF 1  
 ISSUED 11-10-22