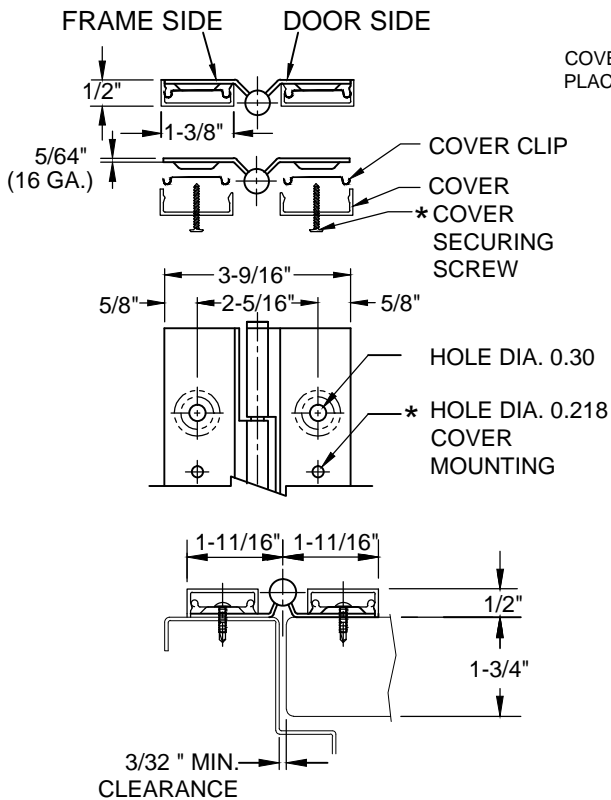
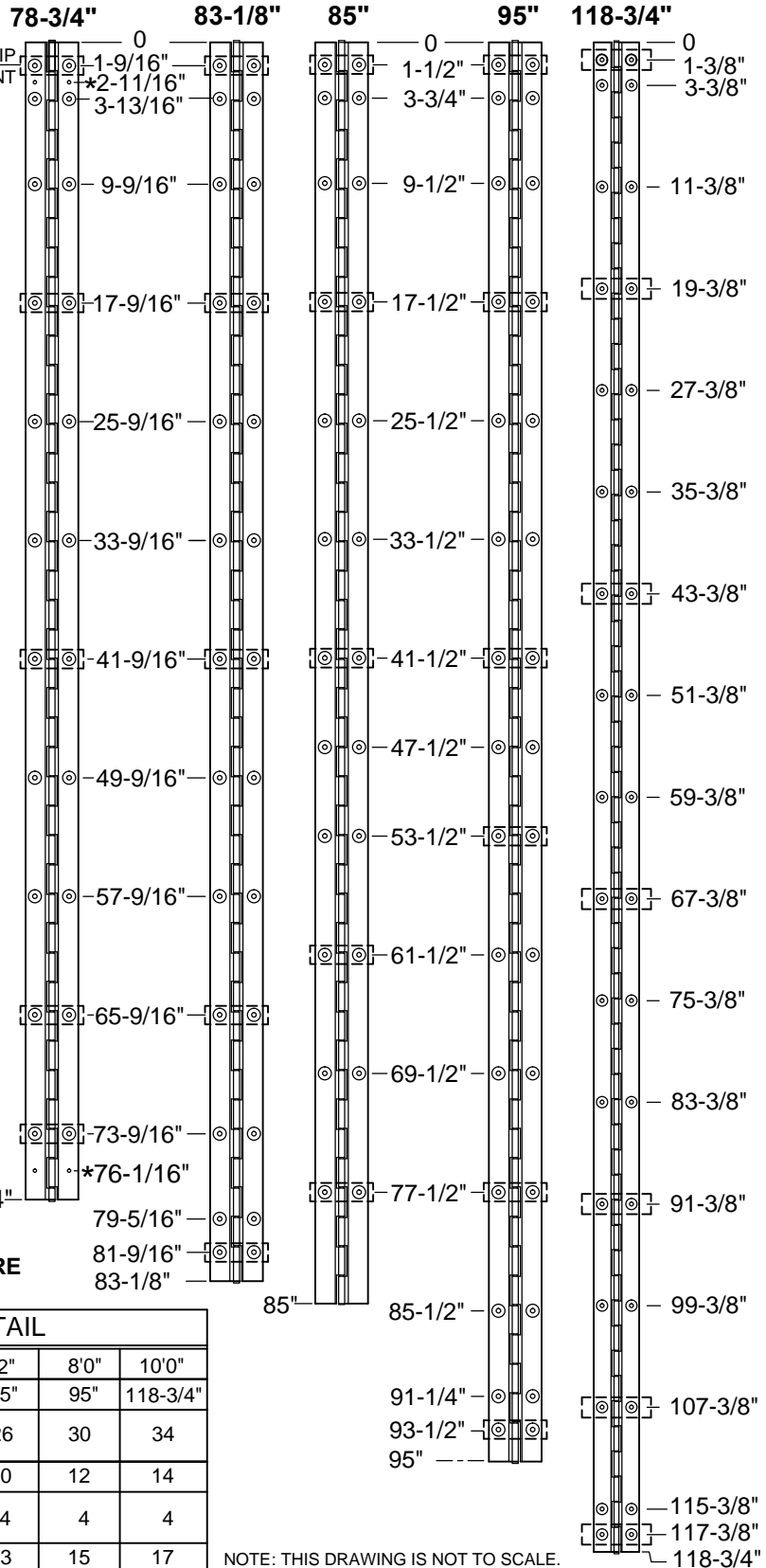
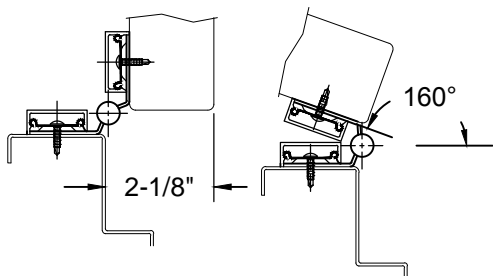


# A502 - STAINLESS STEEL HINGE, FULL SURFACE, FLUSH MOUNT



**CLOSED POSITION**



**NOTE: HINGES CUT TO CUSTOM LENGTH ARE CUT FROM THE BOTTOM - A502 DOES NOT REQUIRE HANDING WHEN CUT.**

**STANDARD HINGE SIZES & SCREW DETAIL**

NOMINAL DOOR HEIGHT	6'8"	7'0"	7'2"	8'0"	10'0"
ACTUAL HINGE HEIGHT	78-3/4"	83-1/8"	85"	95"	118-3/4"
1/4-20 x 3/4" PHILLIPS PAN HEAD, SELF-DRILLING, TEK MACHINE SCREW	26	26	26	30	34
COVER CLIP	10	10	10	12	14
# 6 x 1" FLAT HEAD SHEET METAL SCREW, PIN-IN-TORX (SECURE COVER)	4	4	4	4	4
SEX BOLT - OPTIONAL	13	13	13	15	17

NOTE: THIS DRAWING IS NOT TO SCALE.

A502-STAINLESS STEEL HINGE.00.DWG



www.abhmf.com  
 E-mail: abhinfo@abhmf.com  
 Architectural Builders Hardware Mfg., Inc.  
 1222 Ardmore Ave., Itasca, IL 60143  
 630.875.9900; FAX 800.9FAXABH (932.9224)

## A502 STAINLESS STEEL HINGE

©2015 ABH Mfg., Inc.  
 printed in USA

PAGE 1 OF 1  
 ISSUED 05-19-15