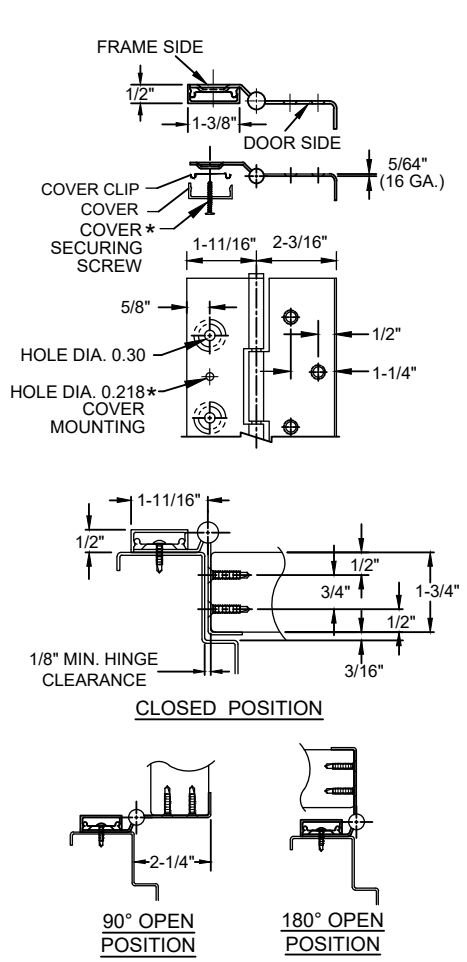


A506 - STAINLESS STEEL HINGE, HALF MORTISE WITH EDGE GUARD

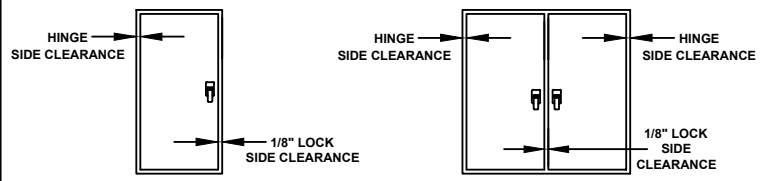


	78-3/4" (HANDING REQUIRED)	83-1/8" (HANDING REQUIRED)	85"	95"	118-3/4"
COVER CLIP PLACEMENT	0	0	0	0	0
	1-1/16"	1-1/2"	1-1/2"	7/8"	1-3/8"
	1-9/16"	2-1/2"	2-1/2"	1-3/8"	2-3/8"
	*2-1/2"	3-3/4"	3-3/4"	*2-1/2"	3-1/2"
	2-9/16"	4"	4"	*3-3/8"	3-7/8"
	3-9/16"	5-1/2"	5-1/2"	3-3/8"	3-7/8"
	4-1/16"	6-1/2"	6-1/2"	5-3/8"	5-3/8"
	5-9/16"	7-1/2"	7-1/2"	8-3/8"	8-3/8"
	8-9/16"	8-1/2"	8-1/2"	11-3/8"	11-3/8"
	9-9/16"	9-1/2"	9-1/2"	17-3/8"	17-3/8"
	11-9/16"	11-1/2"	11-1/2"	19-3/8"	19-3/8"
	17-9/16"	17-1/2"	17-1/2"	23-3/8"	23-3/8"
	23-9/16"	23-1/2"	23-1/2"	27-3/8"	27-3/8"
	25-9/16"	25-1/2"	25-1/2"	29-3/8"	29-3/8"
	29-9/16"	29-1/2"	29-1/2"	35-3/8"	35-3/8"
	33-9/16"	33-1/2"	33-1/2"	41-3/8"	41-3/8"
	35-9/16"	35-1/2"	35-1/2"	43-3/8"	43-3/8"
	41-9/16"	41-1/2"	41-1/2"	47-3/8"	47-3/8"
	47-9/16"	47-1/2"	47-1/2"	51-3/8"	51-3/8"
	49-9/16"	49-1/2"	49-1/2"	53-3/8"	53-3/8"
	53-9/16"	53-1/2"	53-1/2"	59-3/8"	59-3/8"
	57-9/16"	57-1/2"	57-1/2"	65-3/8"	65-3/8"
	59-9/16"	59-1/2"	59-1/2"	67-3/8"	67-3/8"
	65-9/16"	65-1/2"	65-1/2"	71-3/8"	71-3/8"
	71-9/16"	69-1/2"	69-1/2"	75-3/8"	75-3/8"
	73-9/16"	71-1/2"	71-1/2"	77-3/8"	77-3/8"
	74-9/16"	77-1/2"	77-1/2"	83-3/8"	83-3/8"
	*76-1/4"	82-1/2"	82-1/2"	89-3/8"	89-3/8"
	77-9/16"	83-1/2"	83-1/2"	91-3/8"	91-3/8"
	79-1/16"	85-1/2"	85-1/2"	95-3/8"	95-3/8"
	79-5/16"	86-1/2"	86-1/2"	99-3/8"	99-3/8"
	80-9/16"	89-1/2"	89-1/2"	101-3/8"	101-3/8"
	*80-5/8"	91"	91"	107-3/8"	107-3/8"
	81-9/16"	*91-1/4"	*91-1/4"	110-3/8"	110-3/8"
	82-1/16"	*92-1/2"	*92-1/2"	113-3/8"	113-3/8"
	83-1/8"	93-1/2"	93-1/2"	114-7/8"	114-7/8"
		94"	94"	115-3/8"	115-3/8"
		95"	95"	116-3/8"	116-3/8"
				*116-1/2"	*116-1/2"
				117-3/8"	117-3/8"
				117-7/8"	117-7/8"
				118-3/4"	118-3/4"

TOTAL DOOR UNDERSIZING*

TOTAL UNDERSIZING FOR SINGLE DOORS
5/16" - SQUARE EDGED

TOTAL UNDERSIZING FOR PAIRS OF DOORS
7/16" - SQUARE EDGED



HINGE MODEL	SINGLE DOOR-SQUARE EDGED TOTAL UNDERSIZE	PAIRS OF DOORS SQUARE EDGED TOTAL UNDERSIZE
A506	5/16" **	7/16" **

NOTE: ALL HINGE MODELS WITH A DOOR EDGE WRAP ARE NOT RECOMMENDED FOR USE ON DOORS THAT HAVE A BEVELED DOOR EDGE ON THE HINGE SIDE.

* REFER TO WWW.ABHMFG.COM FOR COMPLETE DOOR CLEARANCE CHART
** 1/16" FRAME IRREGULARITY INCLUDED (OPTIONAL)- NOT PERMITTED BY NFPA80

STANDARD HINGE SIZES & SCREW DETAIL

NOMINAL DOOR HEIGHT	6'8"	7'0"	7'2"	8'0"	10'0"
ACTUAL HINGE HEIGHT	78-3/4"	83-1/8"	85"	95"	118-3/4"
1/4-20 x 3/4" PHILLIPS PAN HEAD, SELF-DRILLING, TEK MACHINE SCREW	13	13	13	15	17
10-24 x 3/4" PHILLIPS FLAT HEAD, UNDERCUT, SELF-DRILLING, TEK MACHINE SCREW	21	21	21	23	27
#10 x 1-1/4" PHILLIPS FLAT HEAD, UNDERCUT, SHEET METAL SCREW	21	21	21	23	27
COVER CLIP	5	5	5	6	7
#6 x 1" FLAT HEAD SHEET METAL SCREW, PIN -IN-TORX (SECURE COVER)	2	2	2	2	2

NOTE: HINGES CUT TO CUSTOM LENGTH ARE CUT FROM THE BOTTOM - PLEASE SPECIFY HANDING

NOTE: THIS DRAWING IS NOT TO SCALE



www.abhmfg.com
E-mail: abhinfo@abhmfg.com
Architectural Builders Hardware Mfg., Inc.
1222 Ardmore Ave., Itasca, IL 60143
630.875.9900; FAX 800.9FAXABH (932.9224)

A506 STAINLESS STEEL HINGE
PAGE 1 OF 1
ISSUED 11-10-22
© 2022 ABH Mfg., Inc. printed in USA