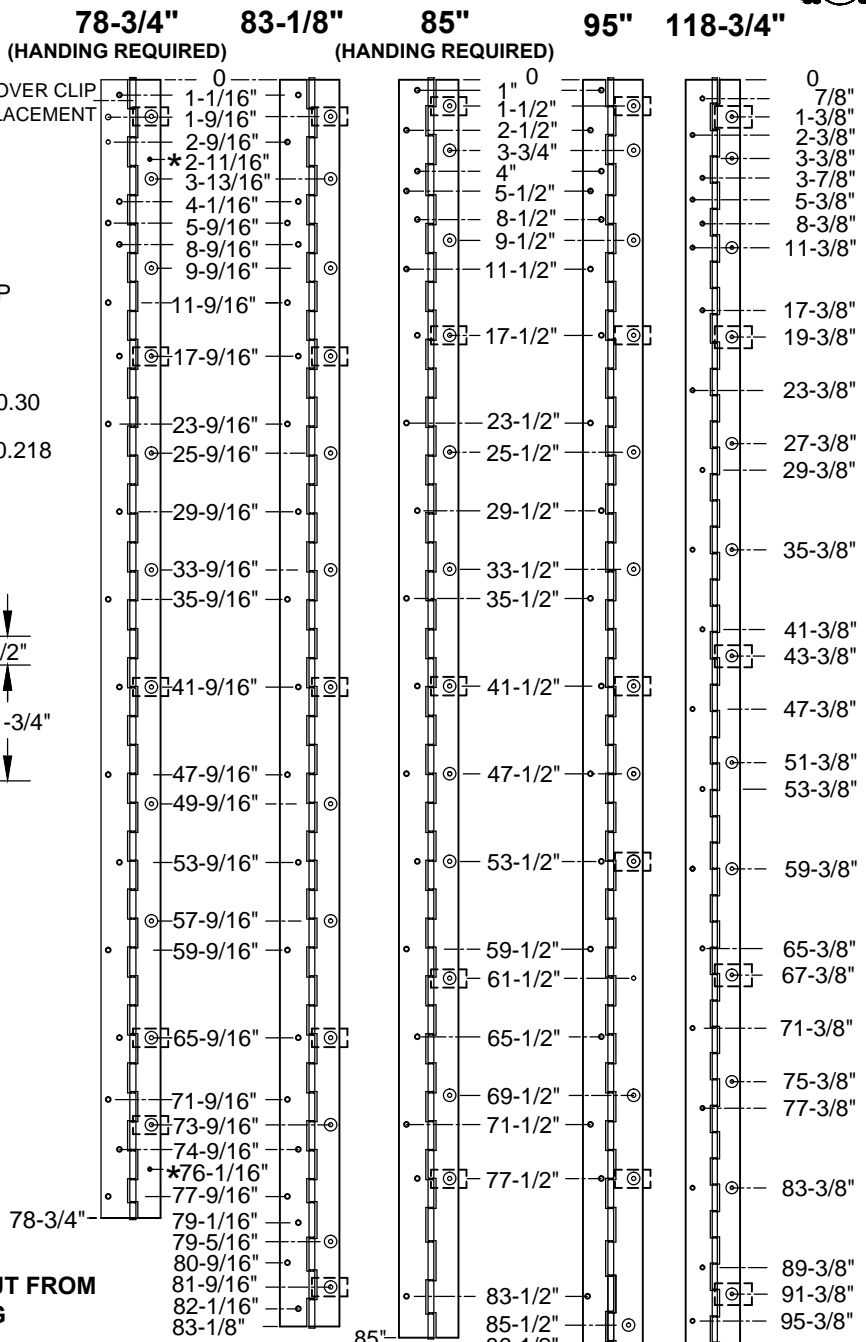
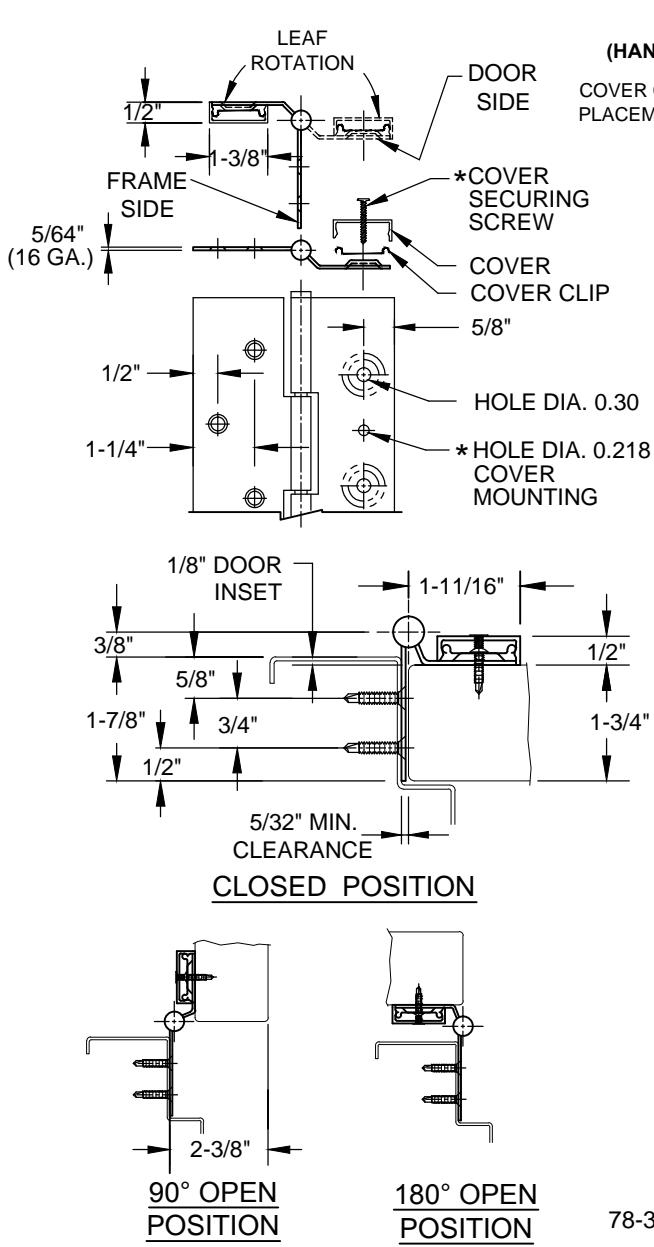


A503 - STAINLESS STEEL HINGE, HALF SURFACE



NOTE: HINGES CUT TO CUSTOM LENGTH ARE CUT FROM THE BOTTOM - PLEASE SPECIFY HANDING

STANDARD HINGE SIZES & SCREW DETAIL					
NOMINAL DOOR HEIGHT	6'8"	7'0"	7'2"	8'0"	10'0"
ACTUAL HINGE HEIGHT	78-3/4"	83-1/8"	85"	95"	118-3/4"
1/4-20 x 3/4" PHILLIPS PAN HEAD SELF-DRILLING, TEK MACHINE SCREW	13	13	13	15	17
10-24 x 7/8" PHILLIPS FLAT HEAD UNDERCUT, SELF-DRILLING, TEK MACHINE SCREW	21	21	21	23	27
#10 x 1-1/4" PHILLIPS FLAT HEAD, UNDERCUT, SHEET METAL SCREW	21	21	21	23	27
COVER CLIP	5	5	5	6	7
#6 x 1" FLAT HEAD SHEET METAL SCREW, PIN -IN-TORX (SECURE COVER)	2	2	2	2	2
SEX BOLT - OPTIONAL	13	13	13	15	17

NOTE: THIS DRAWING IS NOT TO SCALE



www.abhmfg.com
 E-mail: abhinfo@abhmfg.com
 Architectural Builders Hardware Mfg., Inc.
 1222 Ardmore Ave., Itasca, IL 60143
 630.875.9900; FAX 800.9FAXABH (932.9224)

©2015 ABH Mfg., Inc.
 printed in USA

A503
STAINLESS STEEL HINGE

PAGE 1 OF 1
 ISSUED 06-02-15

A503-STAINLESS STEEL HINGE.00.DWG