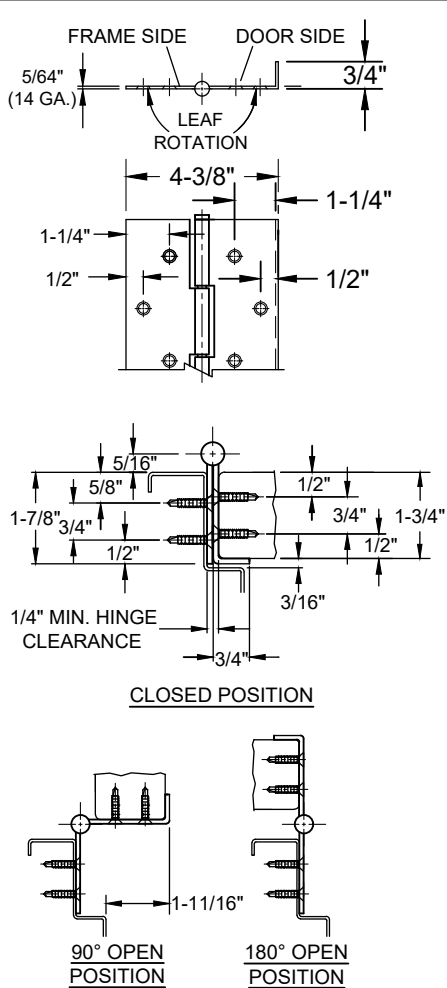
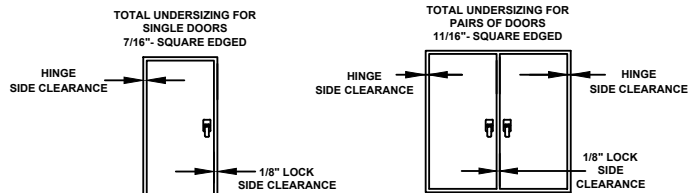


# A515 - STAINLESS STEEL HINGE, FULL CONCEALED W/ SINGLE EDGE GUARD



78-3/4" (HANDING REQUIRED)	83-1/8" (HANDING REQUIRED)	85"	95"	118-3/4"
	1-1/16"	1"	0	7/8"
	2-9/16"	2-1/2"		2-3/8"
	4-1/16"	4"		3-7/8"
	5-9/16"	5-1/2"		5-3/8"
	8-9/16"	8-1/2"		8-3/8"
	11-9/16"	11-1/2"		11-3/8"
	17-9/16"	17-1/2"		17-3/8"
	23-9/16"	23-1/2"		23-3/8"
	29-9/16"	29-1/2"		29-3/8"
	35-9/16"	35-1/2"		35-3/8"
	41-9/16"	41-1/2"		41-3/8"
	47-9/16"	47-1/2"		47-3/8"
	53-9/16"	53-1/2"		53-3/8"
	59-9/16"	59-1/2"		59-3/8"
	65-9/16"	65-1/2"		65-3/8"
	71-9/16"	71-1/2"		71-3/8"
	74-9/16"	77-1/2"		77-3/8"
	77-9/16"			83-3/8"
	79-1/16"			89-3/8"
	80-9/16"			95-3/8"
	82-1/16"			101-3/8"
	83-1/8"			107-3/8"
		85"		110-3/8"
			86-1/2"	113-3/8"
			89-1/2"	114-7/8"
			91"	116-3/8"
			92-1/2"	117-7/8"
			94"	118-3/4"
			95"	

### TOTAL DOOR UNDERSIZING\*



HINGE MODEL	SINGLE DOOR- SQUARE EDGED TOTAL UNDERSIZE	PAIRS OF DOORS SQUARE EDGED TOTAL UNDERSIZE
A515	7/16" **	11/16" **

**NOTE:** ALL HINGE MODELS WITH A DOOR EDGE WRAP ARE NOT RECOMMENDED FOR USE ON DOORS THAT HAVE A BEVELED DOOR EDGE ON THE HINGE SIDE.

\* REFER TO [WWW.ABHMFG.COM](http://WWW.ABHMFG.COM) FOR COMPLETE DOOR CLEARANCE CHART  
 \*\* 1/16" FRAME IRREGULARITY INCLUDED (OPTIONAL) - NOT PERMITTED BY NFPA80

### STANDARD HINGE SIZES & SCREW DETAIL

NOMINAL DOOR HEIGHT	6'8"	7'0"	7'2"	8'0"	10'0"
ACTUAL HINGE HEIGHT	78-3/4"	83-1/8"	85"	95"	118-3/4"
10-24 x 3/4" PHILLIPS FLAT HEAD, UNDERCUT, SELF-DRILLING, TEK MACHINE SCREW	42	42	42	46	54
#10 x 1-1/4" PHILLIPS FLAT HEAD, UNDERCUT, SHEET METAL SCREW	42	42	42	46	54
"AS" ADJUSTABLE STUDS & 10-32 x 3/4" PHILLIPS FLAT HEAD, UNDERCUT, MACHINE SCREW	21	21	21	23	27

**NOTE: HINGES CUT TO CUSTOM LENGTH ARE CUT FROM THE BOTTOM - PLEASE SPECIFY HANDING**

NOTE: THIS DRAWING IS NOT TO SCALE.

A515-STAINLESS STEEL HINGE-03.DWG



www.abhmfg.com  
 E-mail: [abhinfo@abhmfg.com](mailto:abhinfo@abhmfg.com)  
 Architectural Builders Hardware Mfg., Inc.  
 1222 Ardmore Ave., Itasca, IL 60143  
 630.875.9900; FAX 800.9FAXABH (932.9224)

© 2022 ABH Mfg., Inc.  
 printed in USA

**A515**  
**STAINLESS STEEL HINGE**

PAGE 1 OF 1  
 ISSUED 11-10-22