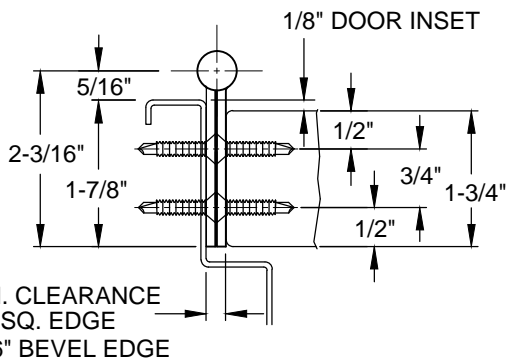
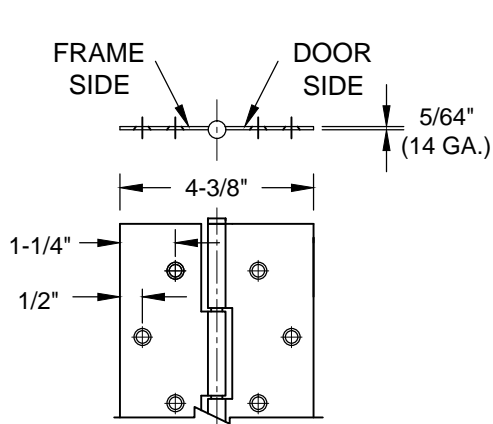
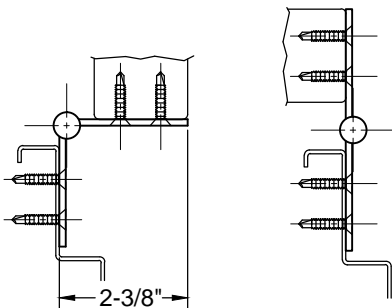


A500 - STAINLESS STEEL HINGE, FULL CONCEALED, EDGE MOUNT



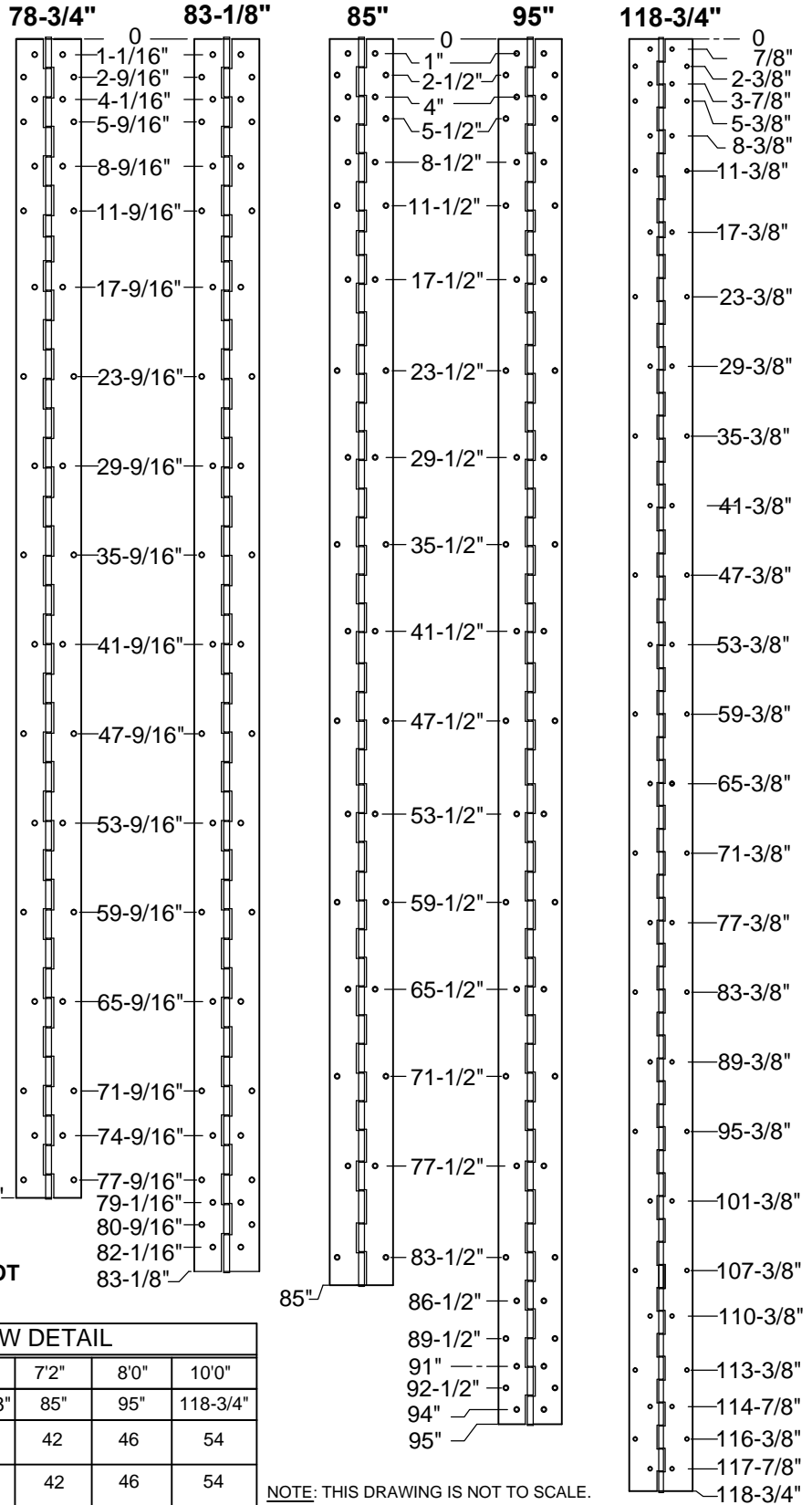
CLOSED POSITION



90° OPEN POSITION

180° OPEN POSITION

NOTE: HINGES CUT TO CUSTOM LENGTH ARE CUT FROM THE BOTTOM - A500 DOES NOT REQUIRE HANDING WHEN CUT.



STANDARD HINGE SIZES & SCREW DETAIL					
NOMINAL DOOR HEIGHT	6'8"	7'0"	7'2"	8'0"	10'0"
ACTUAL HINGE HEIGHT	78-3/4"	83-1/8"	85"	95"	118-3/4"
10-24 x 7/8" PHILLIPS FLAT HEAD, UNDERCUT, SELF-DRILLING TEK MACHINE SCREW	42	42	42	46	54
#10 x 1-1/4" PHILLIPS FLAT HEAD, UNDERCUT, SHEET METAL SCREW	42	42	42	46	54

NOTE: THIS DRAWING IS NOT TO SCALE.

A500-STAINLESS STEEL HINGE.00.DWG



www.abhmfg.com
 E-mail: abhinfo@abhmfg.com
 Architectural Builders Hardware Mfg., Inc.
 1222 Ardmore Ave., Itasca, IL 60143
 630.875.9900; FAX 800.9FAXABH (932.9224)

A500
STAINLESS STEEL HINGE

©2015 ABH Mfg., Inc.
 printed in USA

PAGE 1 OF 1
 ISSUED 05-14-15