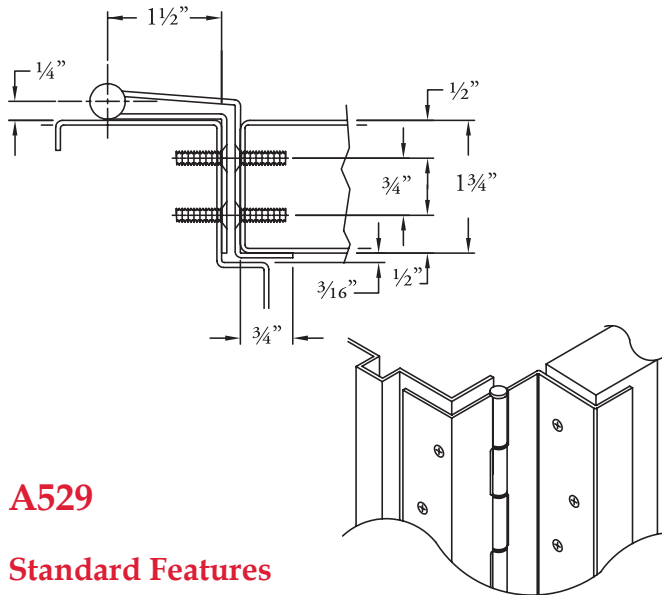


Full Concealed



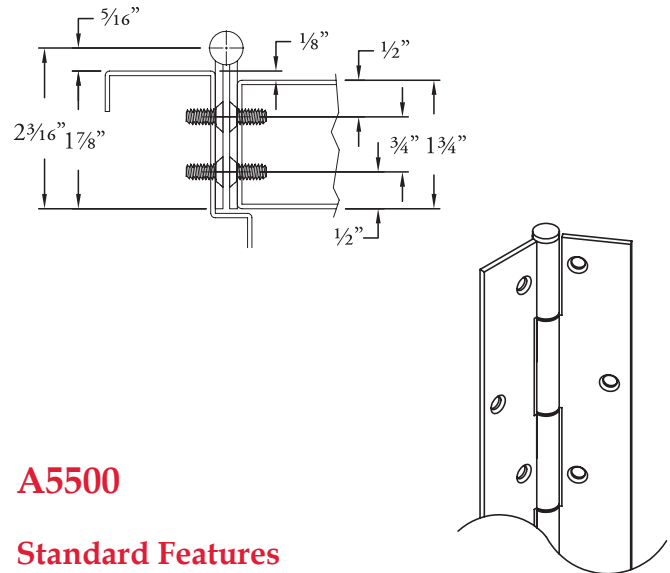
A529

Standard Features

- Full concealed, heavy duty
- No door inset, flush mount
- Swing clear
- Door edge guard on stop side only
- 48" door width maximum
- 600 lbs. door weight maximum
- **Fasteners:** 10-24 x 7/8" undercut, self-drilling, thread-forming tek machine screws, stainless steel and #10 x 1-1/4" undercut wood screws, stainless steel
- **Lengths:** 78-3/4", 83-1/8", 85", 95" and 118-3/4"
- **Finishes:** US32D Satin Stainless Steel or US32 Bright Stainless Steel
- **Fire Rating** - tested and certified by UL® (U.S.A. and Canada) on 4'0" x 10'0" fire rated doors, based on the following
 - 20 minutes - wood doors
 - 90 minutes - hollow metal and composite core wood fire doors
 - 3 hours - hollow metal doors

Options Available

- See pages G-6 to G-7 for modification availability and details



A5500

Standard Features

- Full concealed, extra heavy duty
- 12 gauge 304 grade stainless steel material
- 1/8" inset
- For doors up to 2-1/4" thick
- Welded hospital tip provided standard
- 48" door width maximum
- 900 lbs. door weight maximum
- **Fasteners:** 12-24 x 1/2" undercut machine screws, stainless steel
- **Lengths:** 78-3/4", 83-1/8", 85", 95" and 118-3/4"
- **Finishes:** US32D Satin Stainless Steel or US32 Bright Stainless Steel
- **Fire Rating** - tested and certified by UL® (U.S.A. and Canada) on 4'0" x 10'0" fire rated doors, based on the following
 - 20 minutes - wood doors
 - 90 minutes - hollow metal and composite core wood fire doors
 - 3 hours - hollow metal doors

Options Available

- See pages G-6 to G-7 for modification availability and details

