

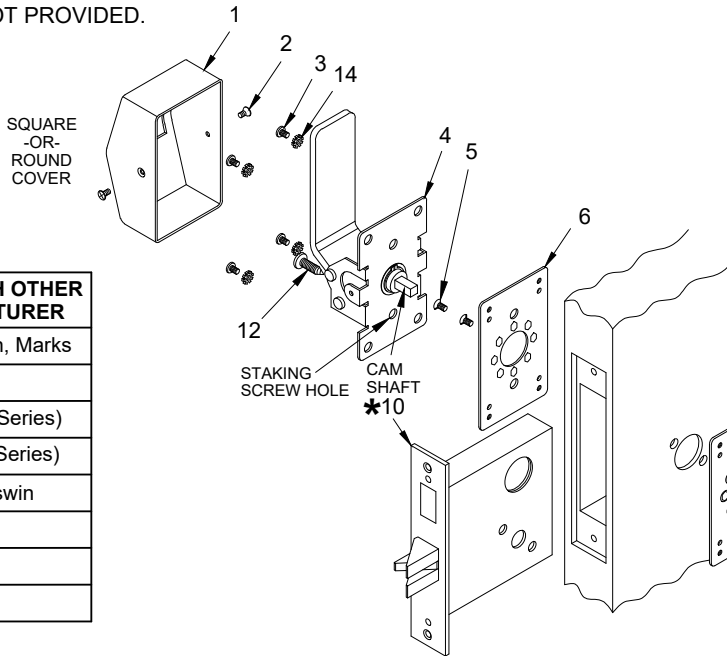
6700 SERIES INSTALLATION FOR MORTISE LOCK BY OTHER MANUFACTURERS



NOTES

1. TRIM CAN BE MOUNTED UP, DOWN, HORIZONTALLY OR VERTICALLY. **
2. VISION LITE MUST BE AT LEAST 6" FROM CENTERLINE OF TRIM.
3. PREP DOOR PER OTHER MANUFACTURER'S MORTISE LOCK TEMPLATE
4. LOCK CYLINDER NOT PROVIDED.
5. MORTISE LOCK NOT PROVIDED.

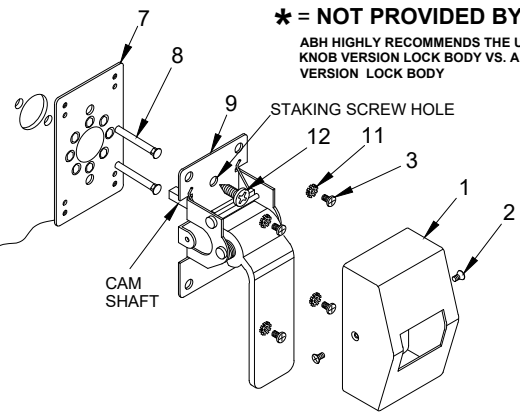
ITEM	QTY	PART DESCRIPTION
1	2	COVER
2	4	8-32 x 3/8" FHMS
3	8	10-32 x 1/4" PAN HD. M.S.
4	1	PUSH SIDE HANDLE ASSY
5	2	10-32 x 1/2" FHMS
6	1	PUSH SIDE ADAPTER PLATE
7	1	PULL SIDE ADAPTER PLATE
8	2	10-32 SEX BOLT
9	1	PULL SIDE HANDLE ASSY
10	1	MORTISE LOCK BY OTHERS *
11	8	#10 STAR WASHER
12	2	#12 x 1/2" PHSMS STAKING SCREW



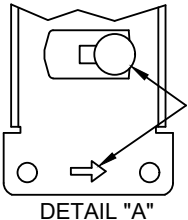
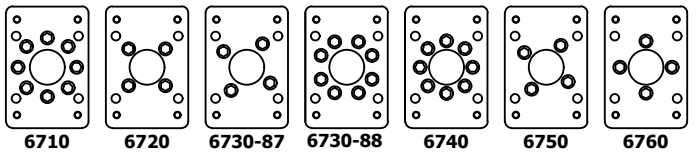
ABH MODEL #	USED WITH OTHER MANUFACTURER
6710	Best, Falcon, Marks
6720	Schlage
6730-87	Yale (8700 Series)
6730-88	Yale (8800 Series)
6740	Corbin/Ruswin
6750	Sargent
6760	PDQ
6770	Arrow

*** = NOT PROVIDED BY ABH.**

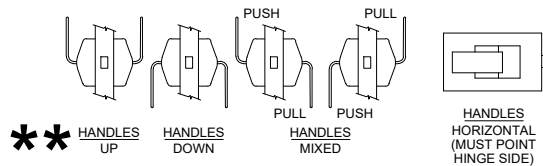
ABH HIGHLY RECOMMENDS THE USE OF A KNOB VERSION LOCK BODY VS. A LEVER VERSION LOCK BODY



ADAPTER PLATE PATTERNS



NOTE:
BEFORE MOUNTING BASE ASSEMBLIES
CAM PIN MUST BE ROTATED TOWARDS
SIDE INDICATED BY ARROW STAMPED
ON THE BASE.



INSTALLATION INSTRUCTIONS:

1. Install mortise lock (item 10) per other manufacturer's instructions.
2. Install mounting plates: Determine if trim is to be mounted horizontal or vertical. Insert (2) sex bolts (item 8) thru pull side adapter plate (item 7) to match holes on door face. Then place push side adapter plate (item 6) on outside of door and attach with (2) flat head screws (item 5). Do NOT over tighten.
3. Assemble trim:
 - A) Test both handles to determine which is the push or pull type.
 - B) Select the pull trim first. With trim in hand, Rotate the cam assembly until the cam pin stops on the appropriate side (see Detail "A").
 - C) Place pull side handle on pull side of the door so that cam shaft engages with the mortise lock and fasten with (4) pan head screws (item 3) with (4) star washers (item 11). Test pull side handle (item 9) for latch retraction. If latch does not extend, loosen both flat head screws (item 5) to adjust alignment.
 - D) Mount the push side handle (item 4) using the same method.
 - E) Test lock for proper operation.
 - F) To prevent the handle assemblies from possible twisting, which in turn can cause binding, determine which staking screw hole will be used for the push and the pull side handle assemblies (the staking screw installs on the staking screw hole location opposite the direction the handle is mounted). Install (1) staking screw on each side using #12 PHSMS (item 12).
 - G) Place cover (item 1) over push/pull trims and secure with (2) flat head screws (item 2) on each side.

PATENT No. 5,730,478 & 6,196,599



www.abhmfg.com
E-mail: abhinfo@abhmfg.com
Architectural Builders Hardware Mfg., Inc.
1222 Ardmore Ave., Itasca, IL 60143
630.875.9900; FAX 800.9FAXABH (932.9224)

© 2023 ABH Mfg., Inc.
printed in USA

6700-10.DWG
6700
PAGE 1 OF 1
REVISED 02-16-23