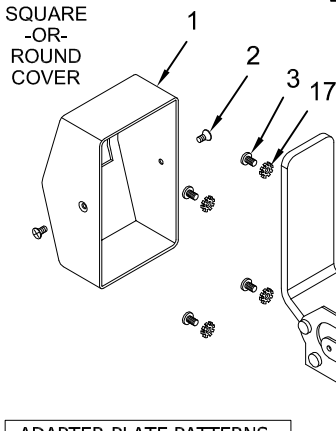
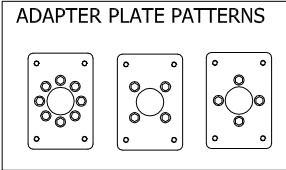


6700 SERIES INSTALLATION FOR MORTISE LOCK BY OTHER MFGS.

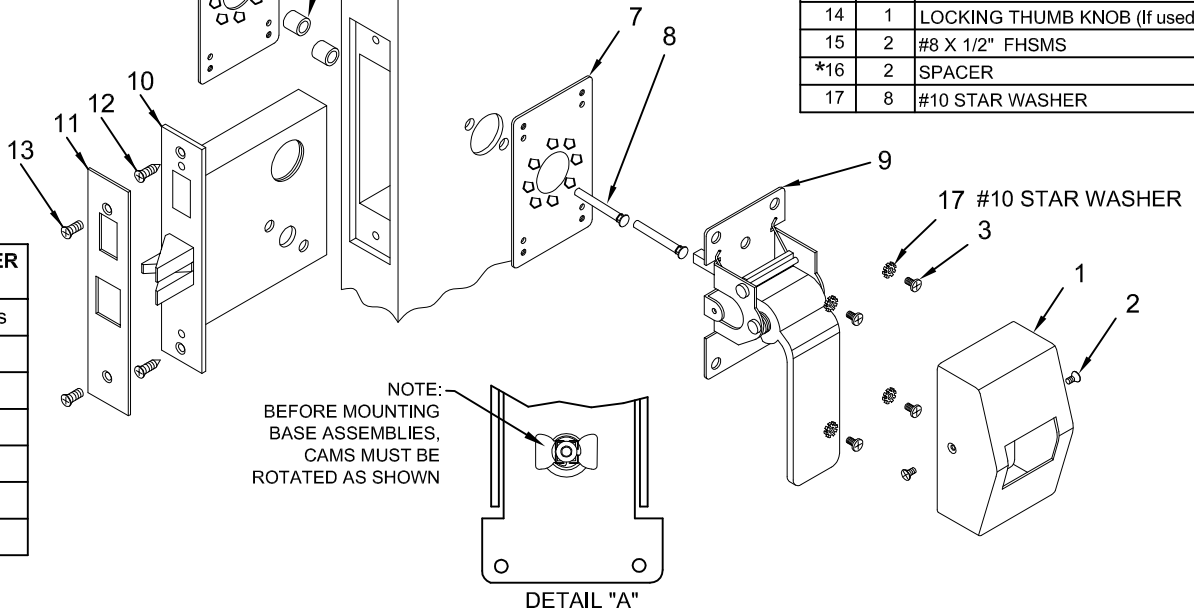


* WHEN THERE IS NO REINFORCEMENT IN THE DOOR IT MAY BE NECESSARY TO ADD SPACER BETWEEN MORTISE LOCK & ADAPTER PLATE. SPACER KEEPS DOOR FROM BOWING.

ITEM	QTY	PART DESCRIPTION
1	2	COVER
2	4	8-32 X 3/8" F.H.M.S.
3	8	10-32 X 1/4" PAN HD. M.S.
4	1	PUSH SIDE HANDLE ASSY
5	2	10-32 X 1/2" FHMS
6	1	PUSH SIDE ADAPTER PLATE
7	1	PULL SIDE ADAPTER PLATE
8	2	10-32 SEX BOLT
9	1	PULL SIDE HANDLE ASSY
10	1	MORTISE LOCK BY OTHERS
11	1	TRIM PLATE
12	2	12-24 X 3/4" PH. F.H. COM. SCW.
13	2	8-32 X 1/4" F.H.M.S.
14	1	LOCKING THUMB KNOB (If used)
15	2	#8 X 1/2" FHMS
*16	2	SPACER
17	8	#10 STAR WASHER



ABH MODEL #	USED WITH OTHER MANUFACTURER
6710	Best, Falcon, Marks
6720	Schlage
6730	Yale
6740	Corbin/Ruswin
6750	Sargent
6760	PDQ
6770	Arrow



NOTE:
BEFORE MOUNTING
BASE ASSEMBLIES,
CAMS MUST BE
ROTATED AS SHOWN

DETAIL "A"

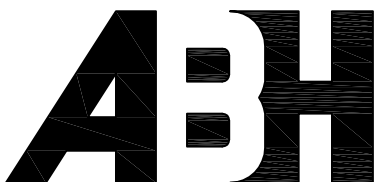
NOTES

1. TRIM CAN BE MOUNTED UP, DOWN, HORIZONTALLY OR IN ANY COMBINATION.
2. PREP DOOR PER OTHER MANUFACTURER'S MORTISE LOCK TEMPLATE
3. LOCK CYLINDER NOT PROVIDED.

INSTALLATION INSTRUCTIONS:

1. INSTALL MORTISE LOCK (item 10) USING (2) FLAT HEAD COMBINATION SCREWS (item 12). THEN MOUNT THE TRIM PLATE (item 11) USING (2) FLAT HEAD SCREWS (item 13).
2. INSTALL MOUNTING PLATES: DETERMINE IF TRIM IS TO BE MOUNTED HORIZONTAL OR VERTICAL. INSERT (2) SEX BOLTS (item 8) THRU PULL SIDE ADAPTER PLATE (item 7) TO MATCH HOLES ON DOOR FACE. THEN PLACE PUSH SIDE ADAPTER PLATE (item 6) ON OUTSIDE OF DOOR AND ATTACH WITH (2) FLAT HEAD SCREWS (item 5). DO NOT OVER TIGHTEN.
3. ASSEMBLE TRIM:
 - A) TEST BOTH HANDLES TO DETERMINE WHICH IS THE PUSH OR PULL TYPE.
 - B) SELECT THE PULL TRIM FIRST. WITH TRIM IN HAND, ROTATE THE CAM ASSEMBLY UNTIL THE CAM PIN STOPS ON THE APPROPRIATE SIDE (SEE DETAIL "A").
 - C) PLACE PULL SIDE HANDLE ON PULL SIDE OF THE DOOR SO THAT SPINDLE ENGAGES WITH THE MORTISE LOCK AND FASTEN WITH (4) PAN HEAD SCREWS (item 3) WITH (4) STAR WASHER (item 17). TEST PULL SIDE HANDLE (item 9) FOR LATCH RETRACTION. IF LATCH DOES NOT EXTEND. LOOSEN BOTH FLAT HEAD SCREWS (item 5) TO ADJUST ALIGNMENT.
 - D) MOUNT THE PUSH SIDE HANDLE (item 4) USING THE SAME METHOD.
 - E) TEST LOCK FOR PROPER OPERATION.
 - F) PLACE COVER (item 1) OVER PUSH/PULL TRIMS AND SECURE WITH (2) FLAT HEAD SCREWS (item 2) ON EACH SIDE.
4. IF PROVIDED INSTALL LOCKING THUMB KNOB (item 14) USING (2) PAN HEAD SCREWS (item 15).

PATENT PENDING



® www.abhmfg.com
E-mail: abhinfo@abhmfg.com
Architectural Builders Hardware Mfg., Inc.
1222 Ardmore Ave., Itasca, IL 60143
630.875.9900; FAX 800.9FAXABH (932.9224)

© 2015 ABH Mfg., Inc.
printed in USA

6700-06.DWG

6700

PAGE 1 OF 1

REVISED 03-10-15