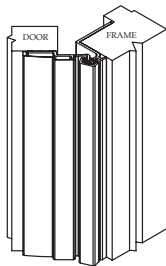
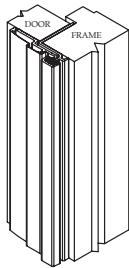
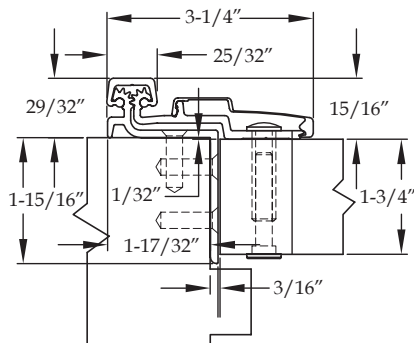


Half Surface



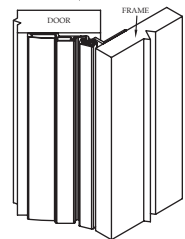
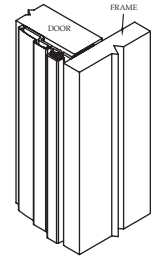
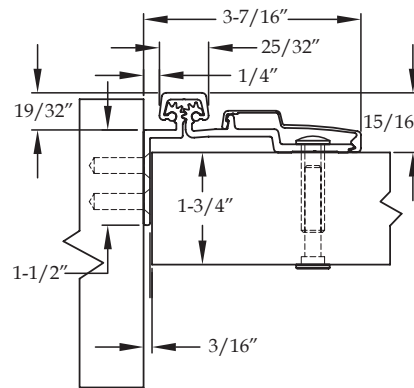
A211 HD

Standard Features

- Half surface, heavy duty
- $\frac{1}{16}$ " door inset
- Swing clear application
- 48" door width maximum
- 450 lbs. door weight maximum
- **Fasteners:** 12-24 x $\frac{7}{8}$ " undercut self-drilling, thread-forming tek machine screws for frame and $\frac{1}{4}$ -20 sex bolts and shoulder bolts for door
- **Standard lengths:** 79", 83", 85", 95" and 120"
- **Finishes:** Clear, dark bronze and black anodized
- **Fire Rating**
 - Approved for use on metal swinging type fire doors rated up to and including 90 minutes (Specify "FR" option for 3 hour rating)
 - Approved for use on wood swinging type fire doors rated up to and including 60 minutes (Specify "FR" option for 90 minute rating)

Options Available

- See pages F-7 to F-8 for option availability and details



A213 HD

Standard Features

- Half surface, heavy duty
- Center hung door application where finger guards require a long reach
- 48" door width maximum
- 450 lbs. door weight maximum
- **Fasteners:** 12-24 x $\frac{7}{8}$ " undercut self-drilling, thread-forming tek machine screws for frame and $\frac{1}{4}$ -20 sex bolts and shoulder bolts for door
- **Standard lengths:** 79", 83", 85", 95" and 120"
- **Finishes:** Clear, dark bronze and black anodized
- **Fire Rating**
 - Approved for use on metal swinging type fire doors rated up to and including 90 minutes (Specify "FR" option for 3 hour rating)
 - Approved for use on wood swinging type fire doors rated up to and including 60 minutes (Specify "FR" option for 90 minute rating)

Options Available

- See pages F-7 to F-8 for option availability and details

